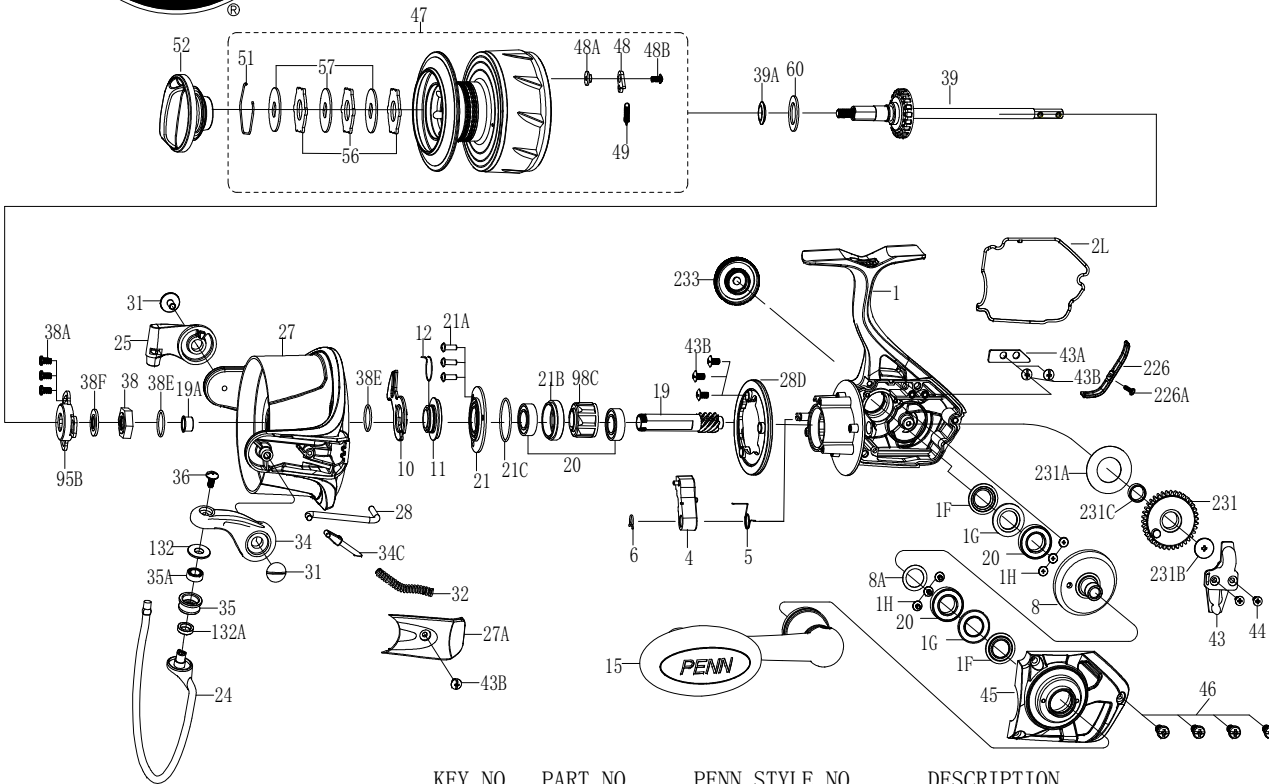




PARTS LIST FOR MODEL SSVI7500



KEY NO.	PART NO.	PENN STYLE NO.	DESCRIPTION
1	1489287	1-SSVI7500	Housing Assembly
1F	1489289	1F-SSVI7500	Main Gear Seal Ring(2 req)
1G	1489288	1G-SSVI7500	Seal Plate(2 req)
1H	1489176	1H-SSVI3500	Bearing Screw (6 req)
2L	1489290	2L-SSVI7500	Housing Seal Ring
4	1489291	4-SSVI7500	A/R Pawl
5	1489292	5-SSVI7500	Pawl Spring
6	1190979	6-5000SG	Retaining Clip
8	1489293	8-SSVI7500	Main Gear
8A	1216652	8A-7000FRC	Shim
10	1489294	10-SSVI7500	A/R Holder
11	1489295	11-SSVI7500	Bushing
12	1489296	12-SSVI7500	Bushing Spring
15	1489297	15-SSVI7500	Handle Assembly
19	1489298	19-SSVI7500	Pinion Gear
19A	1489299	19A-SSVI7500	Pinion Bushing
20	1489300	20-SSVI7500	Ball Bearing (4 req)
21	1489301	21-SSVI7500	Bearing Retainer
21A	1192645	21A-5000SG	Bearing Retainer Screw (3 req)
21B	1489302	21B-SSVI7500	Collar
21C	1489303	21C-SSVI7500	Bearing Retainer O-Ring

KEY NO.	PART NO.	PENN STYLE NO.	DESCRIPTION
24	1489304	24-SSVI7500	Bail Wire
25	1489305	25-SSVI7500	Bail Holder
27	1489306	27-SSVI7500	Rotor
27A	1489307	27A-SSVI7500	Bail Pivot Cover
28	1489308	28-SSVI7500	Trip Lever
28D	1489309	28D-SSVI7500	Rotor Brake
31	1489310	31-SSVI7500	Bail Arm Screw (2 req)
32	1489311	32-SSVI7500	Bail Spring
34	1489312	34-SSVI7500	Bail Arm
34C	1489313	34C-SSVI7500	Pivot Arm
35	1489314	35-SSVI7500	Line Roller
35A	1242222	35A-5000BTL	Line Roller Bearing
36	1191699	36-3000SG	Bail Stud Screw
38	1489315	38-SSVI7500	Rotor Nut
38A	1489316	38A-SSVI7500	Rotor Nut Screw(3 req)
38E	1489317	38E-SSVI7500	Rotor O-Ring(2 req)
38F	1489318	38F-SSVI7500	Main Shaft Seal Ring
39	1489319	39-SSVI7500	Main Shaft Assembly
39A	1489321	39B-SSVI7500	Spool Seal
43	1489322	43-SSVI7500	Crosswind Block
43A	1489323	43A-SSVI7500	Crosswind Block Plate
43B	1489213	43B-SSVI3500	Plate Screw (6 req)
44	1191845	44-5000SG	Crosswind Block Screw (2 req)
45	1489324	45-SSVI7500	Housing Cover Assembly
46	1191903	46-5000SG	Housing Cover Screw (4 req)
47	1489325	47-SSVI7500	Spool Assembly
48	1211625	48-5000SG	Click Tongue
48A	1489326	48A-SSVI7500	Click Tongue Washer
48B	1489327	48B-SSVI7500	Spool Click Screw
49	1211627	49-5000SG	Click Tongue Spring
51	1489328	51-SSVI7500	Drag Retaining Ring
52	1489329	52-SSVI7500	Drag Knob Assembly
56	1308114	56-CFT5000	Drag Washer (3 req)
57	1489330	57-SSVI7500	Keyed Washer (3 req)
60	1489320	39A-SSVI7500	Thrust Washer
95B	1489331	95B -SSVI7500	Rotor Locking Plate
98C	1489332	98C-SSVI7500	Clutch/Sleeve Assembly
132	1489333	132-SSVI7500	Roller Washer
132A	1489334	132A-SSVI7500	Line Roller Bushing
226	1489335	226-SSVI7500	Rear Cover
226A	1489227	226A-SSVI3500	Rear Cover Screw
231	1489336	231-SSVI7500	Crosswind Gear
231A	1489337	231A-SSVI7500	Crosswind Gear Washer
231B	1489338	231B-SSVI7500	Crosswind Gear Screw
231C	1489339	231C-SSVI7500	Crosswind Gear Sleeve
233	1489340	233-SSVI7500	Bearing Cover Assembly