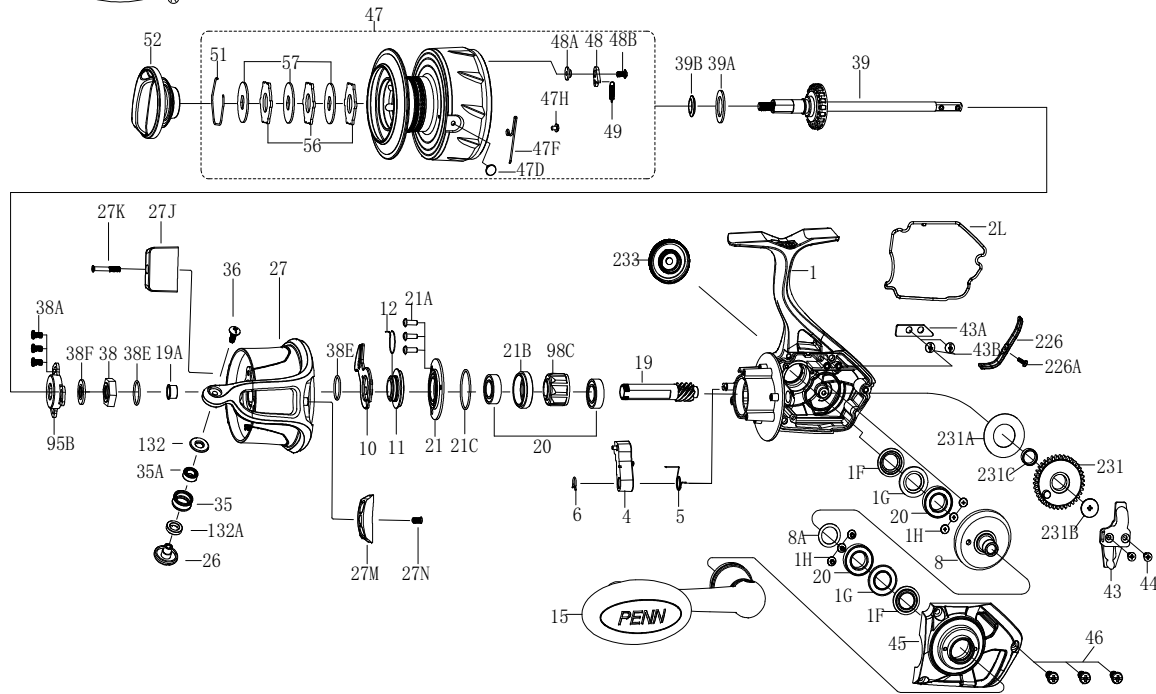




PARTS LIST FOR MODEL AS SSVI6500BLS



| KEY NO. | PART NO. | PENN STYLE NO. | DESCRIPTION |
|---------|----------|----------------|--------------------------------|
| 1 | 1489453 | 1-SSVI6500BLS | Housing Assembly |
| 1F | 1489419 | 1F-SSVI5500 | Main Gear Seal Ring(2 req) |
| 1G | 1489418 | 1G-SSVI5500 | Seal Plate(2 req) |
| 1H | 1489176 | 1H-SSVI3500 | Bearing Screw (6 req) |
| 2L | 1489447 | 2L-SSVI6500 | Housing Seal Ring |
| 4 | 1489448 | 4-SSVI6500 | A/R Pawl |
| 5 | 1489422 | 5-SSVI5500 | Pawl Spring |
| 6 | 1190979 | 6-5000SG | Retaining Clip |
| 8 | 1489449 | 8-SSVI6500 | Main Gear |
| 8A | 1485572 | 8B-PURIII5000 | Shim |
| 10 | 1489450 | 10-SSVI6500 | A/R Holder |
| 11 | 1489425 | 11-SSVI5500 | Bushing |
| 12 | 1489426 | 12-SSVI5500 | Bushing Spring |
| 15 | 1489427 | 15-SSVI5500 | Handle Assembly |
| 19 | 1489428 | 19-SSVI5500 | Pinion Gear |
| 19A | 1489429 | 19A-SSVI5500 | Pinion Bushing |
| 20 | 1308090 | 20-CFT5000 | Ball Bearing (4 req) |
| 21 | 1489451 | 21-SSVI6500 | Bearing Retainer |
| 21A | 1192645 | 21A-5000SG | Bearing Retainer Screw (3 req) |
| 21B | 1489431 | 21B-SSVI5500 | Collar |

| KEY NO. | PART NO. | PENN STYLE NO. | DESCRIPTION |
|---------|----------|-----------------|-------------------------------|
| 21C | 1489303 | 21C-SSVI7500 | Bearing Retainer O-Ring |
| 26 | 1489454 | 26-SSVI6500BLS | Line Slider |
| 27 | 1489455 | 27-SSVI6500BLS | Rotor |
| 27J | 1489456 | 27J-SSVI6500BLS | Clump Weight |
| 27K | 1489457 | 27K-SSVI6500BLS | Clump Weight Screw |
| 27M | 1489458 | 27M-SSVI6500BLS | Clump Weight |
| 27N | 1489459 | 27N-SSVI6500BLS | Clump Weight Screw |
| 35 | 1489400 | 35-SSVI5500 | Line Roller |
| 35A | 1242222 | 35A-5000BTL | Line Roller Bearing |
| 36 | 1191699 | 36-3000SG | Bail Stud Screw |
| 38 | 1489401 | 38-SSVI5500 | Rotor Nut |
| 38A | 1489316 | 38A-SSVI7500 | Rotor Nut Cover Screw(3 req) |
| 38E | 1489203 | 38E-SSVI3500 | Rotor O-Ring(2 req) |
| 38F | 1489402 | 38F-SSVI5500 | Main Shaft Seal Ring |
| 39 | 1489439 | 39-SSVI6500 | Main Shaft Assembly |
| 39A | 1489320 | 39A-SSVI7500 | Thrust Washer |
| 39B | 1489321 | 39B-SSVI7500 | Spool Seal |
| 43 | 1489440 | 43-SSVI6500 | Crosswind Block |
| 43A | 1489405 | 43A-SSVI5500 | Crosswind Block Plate |
| 43B | 1489213 | 43B-SSVI3500 | Plate Screw (2 req) |
| 44 | 1191845 | 44-5000SG | Crosswind Block Screw (2 req) |
| 45 | 1489441 | 45-SSVI6500 | Housing Cover Assembly |
| 46 | 1191903 | 46-5000SG | Housing Cover Screw (3 req) |
| 47 | 1489460 | 47-SSVI6500BLS | Spool Assembly |
| 47D | 1489408 | 47D-SSVI5500 | Line Clip |
| 47F | 1489218 | 47F-SSVI3500 | Line Clip Spring |
| 47H | 1489219 | 47H-SSVI3500 | Line Clip Spring Screw |
| 48 | 1211625 | 48-5000SG | Click Tongue |
| 48A | 1211626 | 48A-5000SG | Click Tongue Washer |
| 48B | 1489327 | 48B-SSVI7500 | Spool Click Screw |
| 49 | 1211627 | 49-5000SG | Click Tongue Spring |
| 51 | 1308112 | 51-CFT5000 | Drag Retaining Ring |
| 52 | 1489409 | 52-SSVI5500 | Drag Knob Assembly |
| 56 | 1308114 | 56-CFT5000 | Drag Washer (3 req) |
| 57 | 1192044 | 57-5000SG | Keyed Washer (3 req) |
| 95B | 1489223 | 95B-SSVI3500 | Rotor Locking Plate |
| 98C | 1308116 | 98C-CFT5000 | Clutch/Sleeve Assembly |
| 132 | 1489410 | 132-SSVI5500 | Roller Washer |
| 132A | 1489411 | 132A-SSVI5500 | Line Roller Bushing |
| 226 | 1489443 | 226-SSVI6500 | Rear Cover |
| 226A | 1489227 | 226A-SSVI3500 | Rear Cover Screw |
| 231 | 1489444 | 231-SSVI6500 | Crosswind Gear |
| 231A | 1489445 | 231A-SSVI6500 | Crosswind Gear Washer |
| 231B | 1489338 | 231B-SSVI7500 | Crosswind Gear Screw |
| 231C | 1489339 | 231C-SSVI7500 | Crosswind Gear Sleeve |
| 233 | 1489415 | 233-SSVI5500 | Bearing Cover Assembly |

407-SSVI6500BLS Rev. 1 30-3-18

1481270