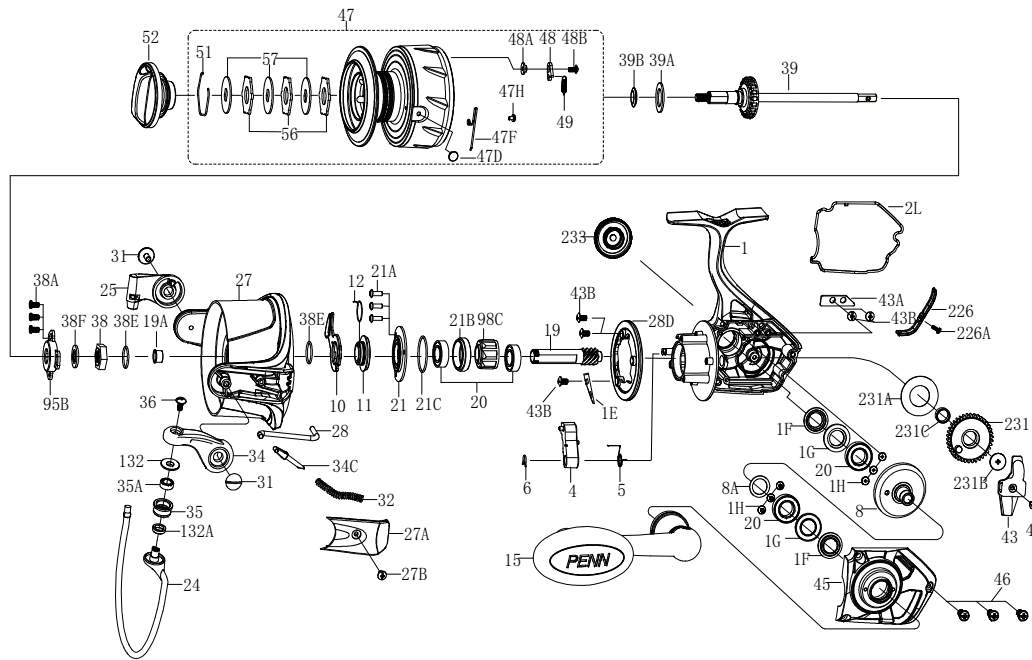




PARTS LIST FOR MODEL AS SSVI5500



KEY NO.	PART NO.	PENN STYLE NO.	DESCRIPTION
1	1489416	1-SSVI5500	Housing Assembly
1E	1489417	1E-SSVI5500	Housing Slope
1F	1489419	1F-SSVI5500	Main Gear Seal Ring(2 req)
1G	1489418	1G-SSVI5500	Seal Plate(2 req)
1H	1489176	1H-SSVI3500	Bearing Screw (6 req)
2L	1489420	2L-SSVI5500	Housing Seal Ring
4	1489421	4-SSVI5500	A/R Pawl
5	1489422	5-SSVI5500	Pawl Spring
6	1190979	6-5000SG	Retaining Clip
8	1489423	8-SSVI5500	Main Gear
8A	1485572	8B-PURIII5000	Shim
10	1489424	10-SSVI5500	A/R Holder
11	1489425	11-SSVI5500	Bushing
12	1489426	12-SSVI5500	Bushing Spring
15	1489427	15-SSVI5500	Handle Assembly
19	1489428	19-SSVI5500	Pinion Gear
19A	1489429	19A-SSVI5500	Pinion Bushing
20	1308090	20-CFT5000	Ball Bearing (4 req)
21	1489430	21-SSVI5500	Bearing Retainer
21A	1192645	21A-5000SG	Screw (3 req)
21B	1489431	21B-SSVI5500	Collar
21C	1489303	21C-SSVI7500	Bearing Retainer O-Ring
24	1489432	24-SSVI5500	Bail Wire

KEY NO.	PART NO.	PENN STYLE NO.	DESCRIPTION
25	1489391	25-SSVI5500	Bail Holder
27	1489392	27-SSVI5500	Rotor
27A	1489393	27A-SSVI5500	Bail Pivot Cover
27B	1203997	43B-3000PUR	Bail Pivot Cover Screw
28	1489394	28-SSVI5500	Trip Lever
28D	1489395	28D-SSVI5500	Rotor Brake
31	1489396	31-SSVI5500	Bail Arm Screw (2 req)
32	1489397	32-SSVI5500	Bail Spring
34	1489398	34-SSVI5500	Bail Arm
34C	1489399	34C-SSVI5500	Pivot Arm
35	1489400	35-SSVI5500	Line Roller
35A	1242222	35A-5000BTL	Line Roller Bearing
36	1191699	36-3000SG	Bail Stud Screw
38	1489401	38-SSVI5500	Rotor Nut
38A	1489202	38A-SSVI3500	Rotor Nut Cover Screw(3req)
38E	1489203	38E-SSVI3500	Rotor O-Ring(2 req)
38F	1489402	38F-SSVI5500	Main Shaft Seal Ring
39	1489403	39-SSVI5500	Main Shaft Assembly
39A	1489320	39A-SSVI7500	Thrust Washer
39B	1489321	39B-SSVI7500	Spool Seal
43	1489404	43-SSVI5500	Crosswind Block
43A	1489405	43A-SSVI5500	Crosswind Block Plate
43B	1489213	43B-SSVI3500	Plate Screw (5 req)
44	1191845	44-5000SG	Crosswind Block Screw
45	1489406	45-SSVI5500	Housing Cover Assembly
46	1191903	46-5000SG	Housing Cover Screw (3req)
47	1489407	47-SSVI5500	Spool Assembly
47D	1489408	47D-SSVI5500	Line Clip
47F	1489218	47F-SSVI3500	Line Clip Spring
47H	1489219	47H-SSVI3500	Line Clip Spring Screw
48	1211625	48-5000SG	Click Tongue
48A	1211626	48A-5000SG	Click Tongue Washer
48B	1489327	48B-SSVI7500	Spool Click Screw
49	1211627	49-5000SG	Click Tongue Spring
51	1308112	51-CFT5000	Drag Retaining Ring
52	1489409	52-SSVI5500	Drag Knob Assembly
56	1308114	56-CFT5000	Drag Washer (3 req)
57	1192044	57-5000SG	Keyed Washer (3 req)
95B	1489223	95B-SSVI3500	Rotor Locking Plate
98C	1308116	98C-CFT5000	Clutch/Sleeve Assembly
132	1489410	132-SSVI5500	Roller Washer
132A	1489411	132A-SSVI5500	Line Roller Bushing
226	1489412	226-SSVI5500	Rear Cover
226A	1489227	226A-SSVI3500	Rear Cover Screw
231	1489413	231-SSVI5500	Crosswind Gear
231A	1489414	231A-SSVI5500	Crosswind Gear Washer
231B	1489338	231B-SSVI7500	Crosswind Gear Screw
231C	1489339	231C-SSVI7500	Crosswind Gear Sleeve
233	1489415	233-SSVI5500	Bearing Cover Assembly

407-SSVI5500 Rev. 1 30-3-18

1481263