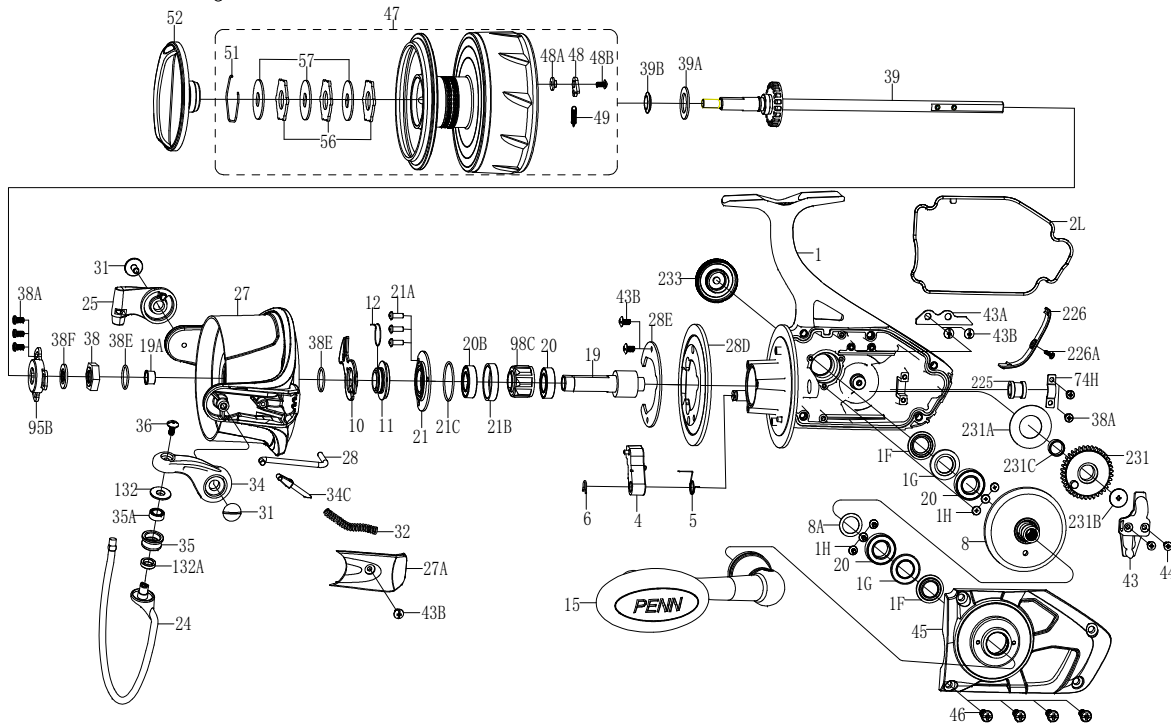




PARTS LIST FOR MODEL SSVI10500



| KEY NO. | PART NO. | PENN STYLE NO. | DESCRIPTION |
|---------|----------|----------------|-------------------------------|
| 21C | 1489388 | 21C-SSVI9500 | Bearing Retainer O-Ring |
| 24 | 1489390 | 24-SSVI10500 | Bail Wire |
| 25 | 1489348 | 25-SSVI9500 | Bail Holder |
| 27 | 1488468 | 27-SSVI10500 | Rotor |
| 27A | 1488469 | 27A-SSVI10500 | Bail Pivot Cover |
| 28 | 1489351 | 28-SSVI9500 | Trip Lever |
| 28D | 1489352 | 28D-SSVI9500 | Rotor Brake |
| 28E | 1489353 | 28E-SSVI9500 | Brake Plate |
| 31 | 1489310 | 31-SSVI7500 | Bail Arm Screw (2 req) |
| 32 | 1489354 | 32-SSVI9500 | Bail Spring |
| 34 | 1489312 | 34-SSVI7500 | Bail Arm |
| 34C | 1489355 | 34C-SSVI9500 | Pivot Arm |
| 35 | 1489356 | 35-SSVI9500 | Line Roller |
| 35A | 1242222 | 35A-5000BTL | Line Roller Bearing |
| 36 | 1191566 | 31-2000SG | Bail Stud Screw |
| 38 | 1489315 | 38-SSVI7500 | Rotor Nut |
| 38A | 1489316 | 38A-SSVI7500 | Holder Plate Screw(5 req) |
| 38E | 1489317 | 38E-SSVI7500 | Rotor O-Ring(2 req) |
| 38F | 1489357 | 38F-SSVI9500 | Main Shaft Seal Ring |
| 39 | 1489358 | 39-SSVI9500 | Main Shaft Assembly |
| 39A | 1489320 | 39A-SSVI7500 | Thrust Washer |
| 39B | 1489321 | 39B-SSVI7500 | Spool Seal Ring |
| 43 | 1489359 | 43-SSVI9500 | Crosswind Block |
| 43A | 1489360 | 43A-SSVI9500 | Crosswind Block Plate |
| 43B | 1489213 | 43B-SSVI3500 | Plate Screw (5 req) |
| 44 | 1489361 | 44-SSVI9500 | Crosswind Block Screw (2 req) |
| 45 | 1488470 | 45-SSVI10500 | Housing Cover Assembly |
| 46 | 1489363 | 46-SSVI9500 | Housing Cover Screw (4 req) |
| 47 | 1488471 | 47-SSVI10500 | Spool Assembly |
| 48 | 1211625 | 48-5000SG | Click Tongue |
| 48A | 1211626 | 48A-5000SG | Click Tongue Washer |
| 48B | 1489327 | 48B-SSVI7500 | Spool Click Screw |
| 49 | 1211627 | 49-5000SG | Click Tongue Spring |
| 51 | 1489328 | 51-SSVI7500 | Drag Retaining Ring |
| 52 | 1489365 | 52-SSVI9500 | Drag Knob Assembly |
| 56 | 1308114 | 56-CFT5000 | Drag Washer (3 req) |
| 57 | 1489330 | 57-SSVI7500 | Keyed Washer (3 req) |
| 74H | 1489366 | 74H-SSVI9500 | Bushing Plate |
| 95B | 1489331 | 95B-SSVI7500 | Rotor Locking Plate |
| 98C | 1489332 | 98C-SSVI7500 | Clutch/Sleeve Assembly |
| 132 | 1489367 | 132-SSVI9500 | Roller Washer |
| 132A | 1489334 | 132A-SSVI7500 | Line Roller Bushing |
| 225 | 1489368 | 225-SSVI9500 | Shaft Bushing |
| 226 | 1489369 | 226-SSVI9500 | Rear Cover |
| 226A | 1489227 | 226A-SSVI3500 | Rear Cover Screw |
| 231 | 1489370 | 231-SSVI9500 | Crosswind Gear |
| 231A | 1489371 | 231A-SSVI9500 | Crosswind Gear Washer |
| 231B | 1489372 | 231B-SSVI9500 | Crosswind Gear Screw |
| 231C | 1489373 | 231C-SSVI9500 | Crosswind Gear Sleeve |
| 233 | 1489374 | 233-SSVI9500 | Bearing Cover Assembly |

| KEY NO. | PART NO. | PENN STYLE NO. | DESCRIPTION |
|---------|----------|----------------|--------------------------------|
| 1 | 1489389 | 1-SSVI10500 | Housing Assembly |
| 1F | 1489289 | 1F-SSVI7500 | Main Gear Seal Ring(2 req) |
| 1G | 1489288 | 1G-SSVI7500 | Seal Plate(2 req) |
| 1H | 1489176 | 1H-SSVI3500 | Bearing Screw (6 req) |
| 2L | 1489376 | 2L-SSVI9500 | Housing Seal Ring |
| 4 | 1489377 | 4-SSVI9500 | A/R Dog |
| 5 | 1489378 | 5-SSVI9500 | Dog Spring |
| 6 | 1489379 | 6-SSVI9500 | Retaining Clip |
| 8 | 1489380 | 8-SSVI9500 | Main Gear |
| 8A | 1216652 | 8A-7000FRC | Shim |
| 10 | 1489381 | 10-SSVI9500 | A/R Holder |
| 11 | 1489382 | 11-SSVI9500 | Bushing |
| 12 | 1489296 | 12-SSVI7500 | Bushing Spring |
| 15 | 1489383 | 15-SSVI9500 | Handle Assembly |
| 19 | 1489384 | 19-SSVI9500 | Pinion Gear |
| 19A | 1489385 | 19A-SSVI9500 | Pinion Bushing |
| 20 | 1489300 | 20-SSVI7500 | Ball Bearing (3 req) |
| 20B | 1192621 | 20B-7000SG | Ball Bearing |
| 21 | 1489386 | 21-SSVI9500 | Bearing Retainer |
| 21A | 1192645 | 21A-5000SG | Bearing Retainer Screw (3 req) |
| 21B | 1489387 | 21B-SSVI9500 | Collar |

407-SSVI10500 Rev. 0 22-1-18

1481268