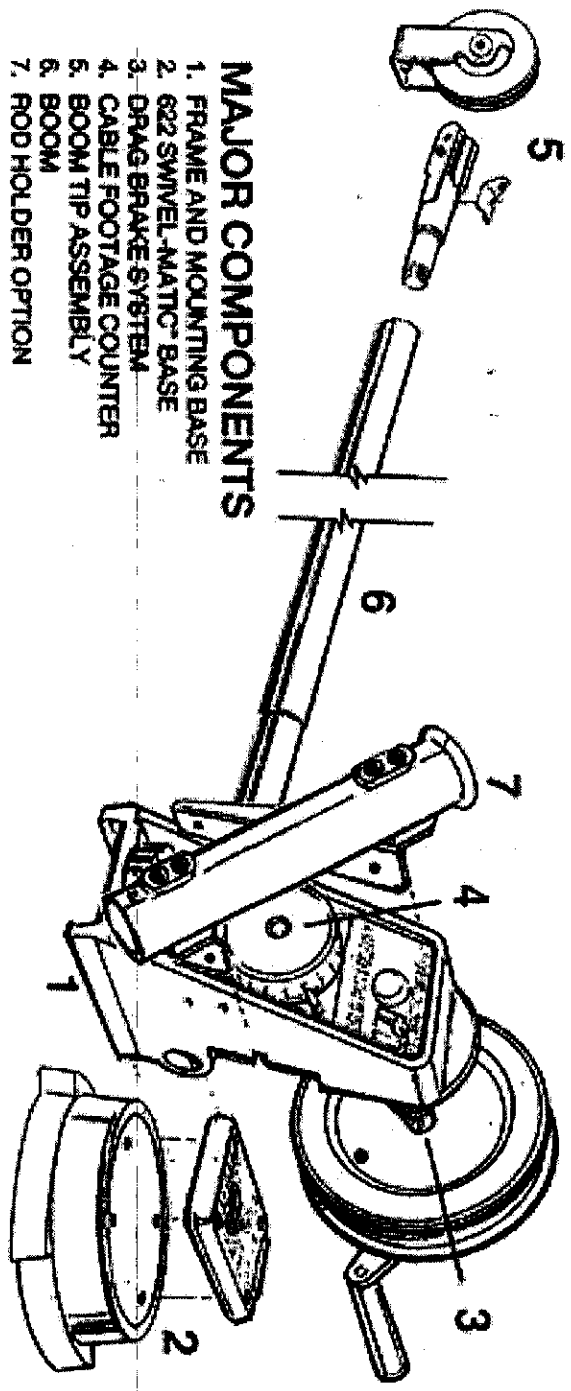


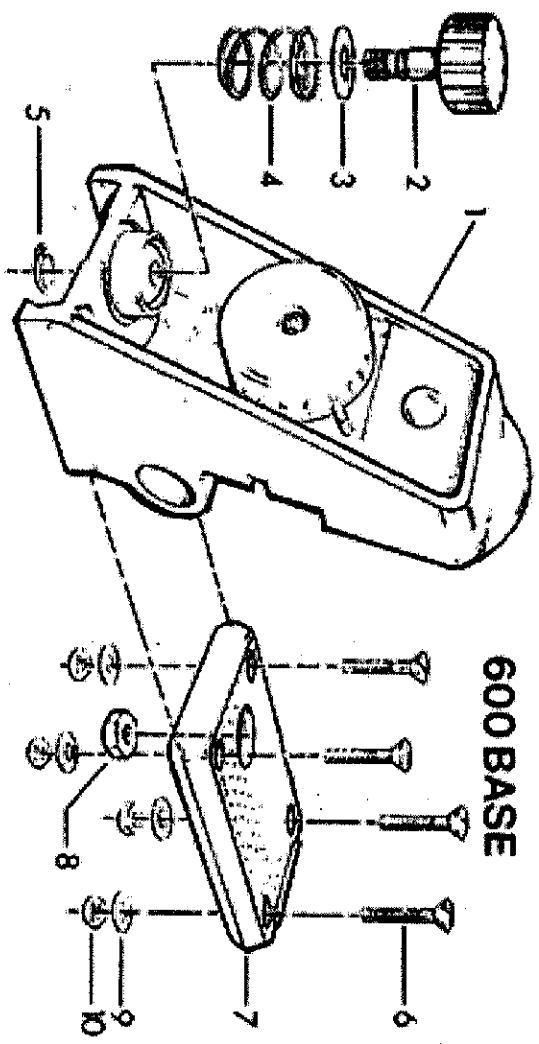
FATHOM-MASTER® PARTS & ASSEMBLY GUIDE



MAJOR COMPONENTS

1. FRAME AND MOUNTING BASE
2. 602 SWIVEL-MATIC® BASE
3. DRAG BRAKE SYSTEM
4. CABLE FOOTAGE COUNTER
5. BOOM TIP ASSEMBLY
6. BOOM
7. ROD HOLDER OPTION

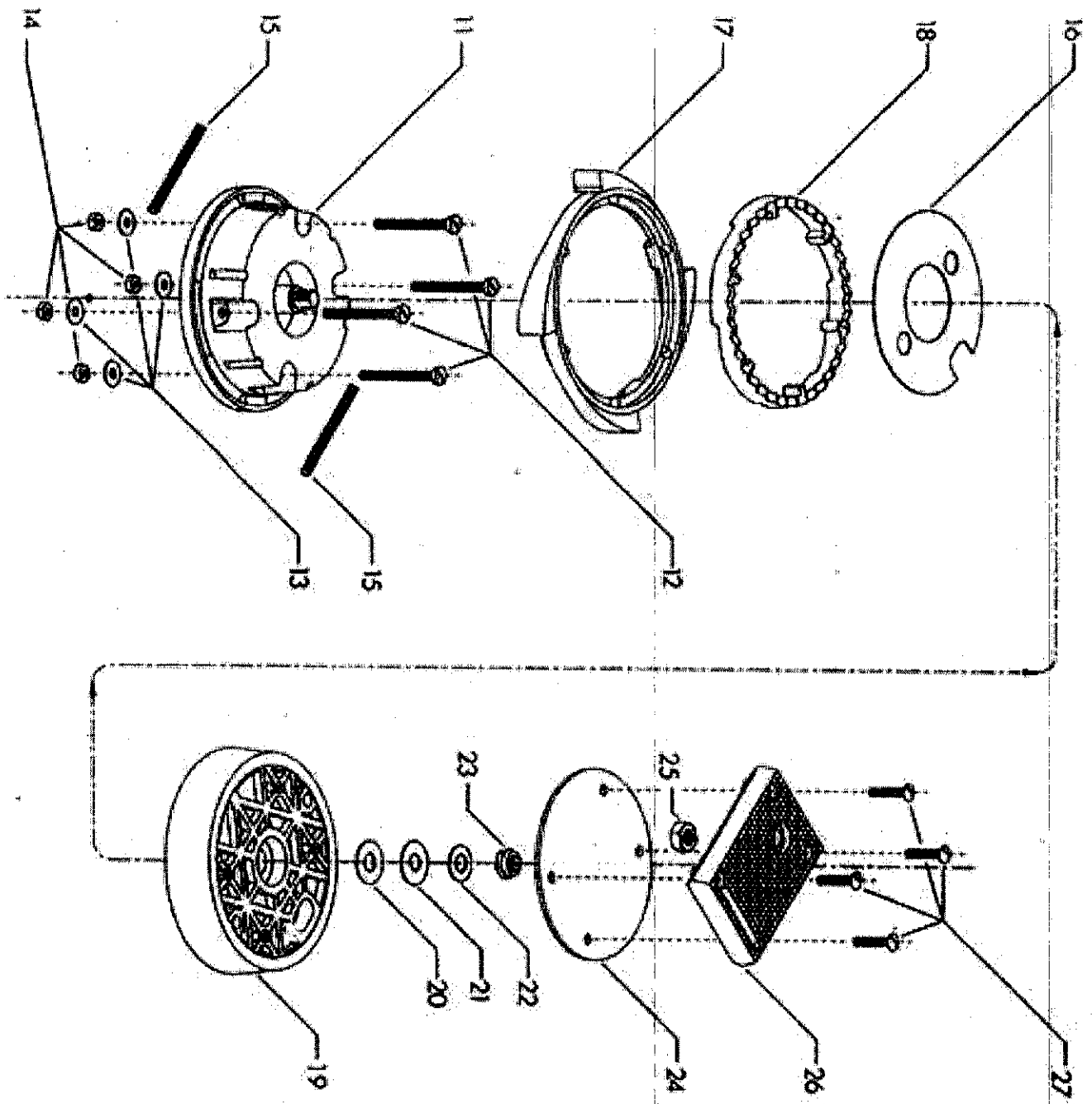
FRAME AND MOUNTING BASE



600 BASE

KEY NO.	DESCRIPTION	PART NO.
1	FRAME	132-600
2	HOLD DOWN KNOB	184-600
3	HOLD DOWN KNOB WASHER	206-600
4	HOLD DOWN KNOB SPRING	192-600
5	HOLD DOWN RETURNING RING	164-600
6	MOUNTING SCREW (4)	208-600
7	BASE PLATE	133-600
8	BASE PLATE NUT	182-600
9	SWIVEL BASE WASHER (4)	220-600
10	SWIVEL BASE NUT (4)	211-600

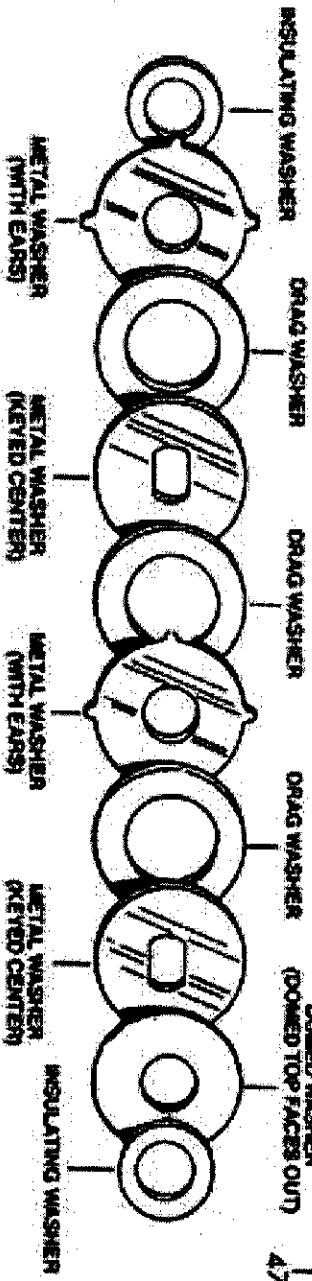
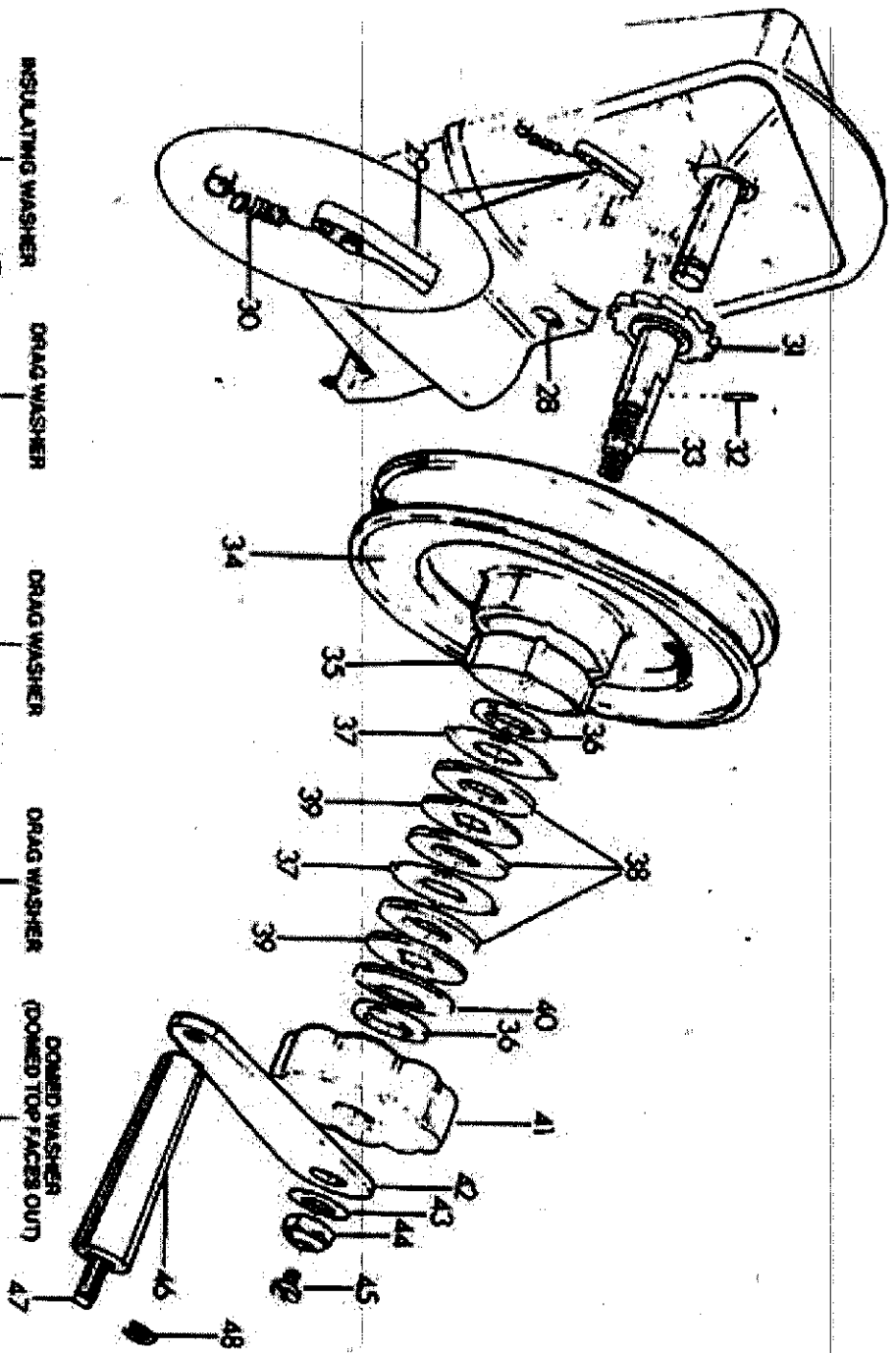
622 SWIVEL-MATIC BASE



KEY NO.	DESCRIPTION	PART NO.
11	SWIVEL BASE BOTTOM	229-622
12	SWIVEL BASE MOUNTING SCREW (4)	229-630
13	MOUNTING SCREW WASHER (4)	229-600
14	MOUNTING SCREW NUT (4)	211-600
15	RETURN SPRING (2)	14-622
16	SWIVEL BASE WASHER	249-622
17	ADJUSTING RING	294-622
18	LOCKING RING	277A-622

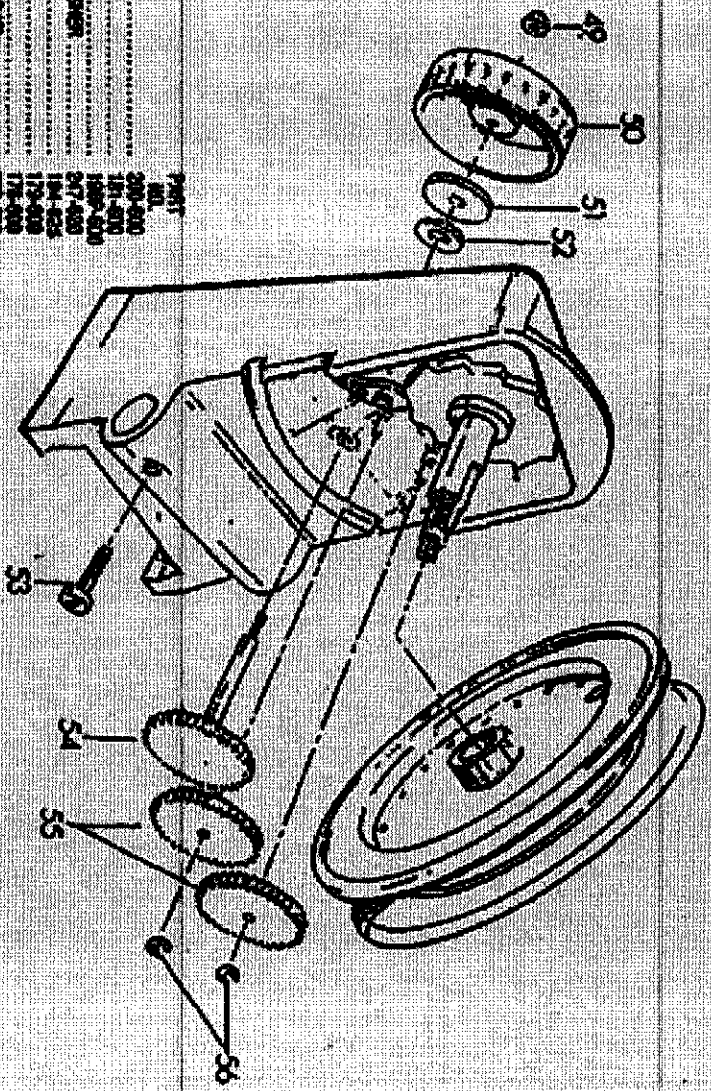
19	SWIVEL BASE TOP	227-622
20	SWIVEL DRIVE WASHER	249-630
21	TENSION WASHER	241-620
22	LOCK NUT	14-670
23	BASE PLATE	231-130
24	BASE PLATE NUT	229-630
25	BASE PLATE MOUNTING SCREW (4)	183-600
26	SWIVEL BASE CENTER	183-600
27	ADJUSTING RING	294-622
27	LOCKING RING	277A-622

DRAG BRAKE SYSTEM



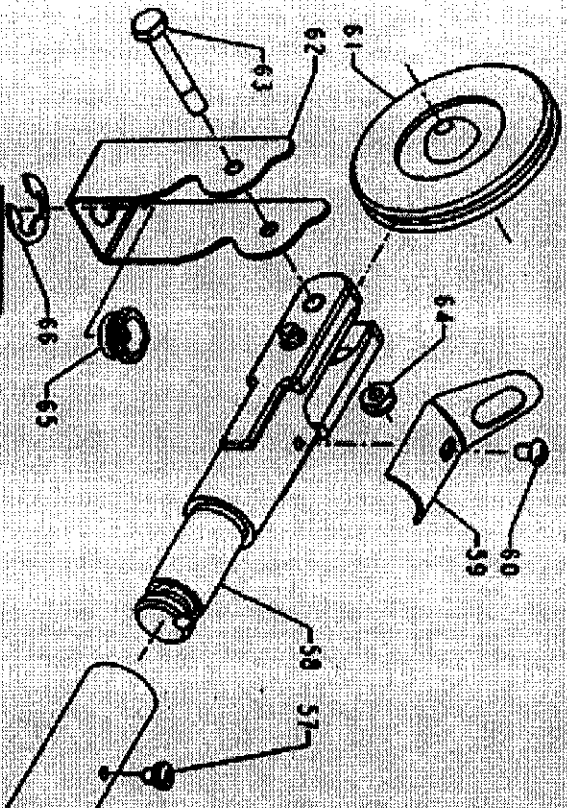
KEY NO.	DESCRIPTION	PART NO.
28	RETAINING RINGS	189-800
29	DOG RATCHET	17-423
30	DOG SPRING	14-500
31	RATCHET	814-825
32	FRAMING SLEEVE	102-400
33	HAUNT SLEEVE	204-800
34	SPOOL	20-400
35	TRIGONAL INSULATOR	181-528
36	INSULATING WASHER (2)	189-800
37	EAR WASHER (2)	7-435
38	DRAG WASHER (2)	67-800
39	KEY WASHER (2)	67-800
40	DOWNED WASHER	6-400
41	DRAG CONTROL KNOB	10-800
42	HANDLE	24-600
43	HANDLE WASHER	182-800
44	HANDLE LOCK BOLT	23-129
45	HANDLE SCREW	23-65
46	HANDLE RING	24-800
47	HANDLE KNOB SHAFT (2-PIECE)	21-800
48		59-800

CABLE FOOTAGE COUNTER



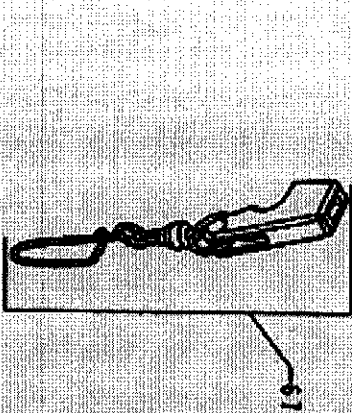
KEY NO.	DESCRIPTION	PART NO.
48	COUNTER CAP LOCK NUT	204-400
49	COUNTER TOP	211-400
51	COUNTER CAP WASHER	188-400
52	COUNTER CAP THRUST WASHER	217-400
53	ARM SCREW	184-405
54	COUNTER CAP GEAR	179-400
55	ARM GEAR	179-400
56	ARM GEAR RE-THROWING BRACKET	200-400

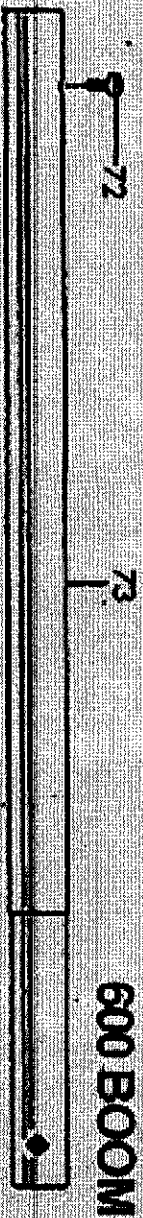
BOOM TIP ASSEMBLY



NOTE: Part's new one piece boom tip allows easy insertion and removal of the boom tip, without removing the boom tip screw (key 527). Align slot in boom tip stud with boom tip screw. Insert boom tip and rotate halfway (180°) to normal trailing position. This feature, along with the new thumb screw securing the boom to the unit, allows the boom assembly to be easily broken down for storage or transportation.

KEY NO.	DESCRIPTION	PART NO.
57	BOOM TIP SCREW	204-400
58	BOOM TIP	214-400
59	LINE GUIDE	223-405
60	LINE GUIDE SCREW	204-400
61	BOOM PULLY	182-400
62	LINE GUIDE BRACKET	201-400
63	BOOM PULLY SCREW	182-400
64	BOOM PULLY NUT	200-415
65	LINE GUIDE SLAVE	204-400
66	RETURNING PIN	200-400
67	CABLE HARDWARE	213-405





600 BOOM



625 BOOM



638 BOOM EXTENSION



KEY	DESCRIPTION	PART NO.
72	BOOM TIP SCREW	202-400
73	BOOM TIP SCREW	183-400
74	BOOM TIP SCREW	200-400
75	BOOM TIP SCREW	183-400
76	BOOM TIP SCREW	183-400

*USE KEY #74 AT THE END OF BOTTOM BOOM AND REPLACE WITH #72 WHICH CAME WITH ORIG. NAL 2 FT BOOM.

Fathom-Master Accessories

For Downrigger Fishing

Fathom-Master® Rod Holder #10RH
 Rod holders for attaching to either 600 or 620 models are available as accessory.

KEY NO.	REPLACEMENT PARTS
1	ROD HOLDER TUBE
2	WATERING SCREWS (7)
3	SET SCREWS (10)
4	ROD LOCKING WITS (6)
5	ROD LOCKING WITS (6)
6	REAR BRACKET
7	ROD BRACKET
8	ROD BRACKET
9	FLAT WASHERS (6)
10	ROD BRACKET
11	ROD BRACKET
12	ROD BRACKET
13	ROD BRACKET
14	ROD BRACKET
15	ROD BRACKET
16	ROD BRACKET
17	ROD BRACKET
18	ROD BRACKET
19	LOAD MOUNTING BOLT

