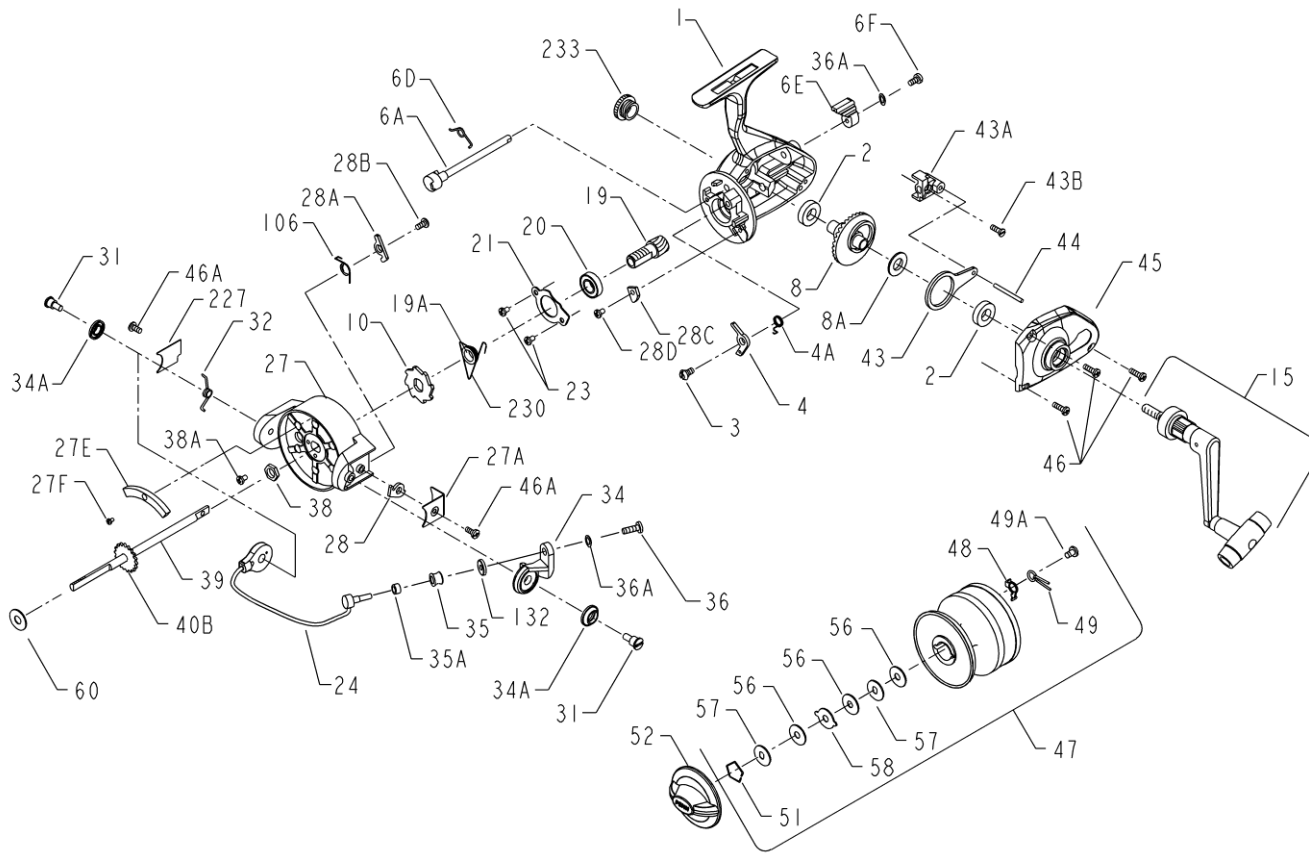


PENN® PARTS LIST FOR MODEL 104CS (1152136)



KEY NO.	PART NO.	DESCRIPTION
1	001 104CS	Housing w/Bushing & Emblem
2	002 103	Housing Bushing (2 req.)
3	003 104	Dog Mounting Screw
4	004 104CS	Dog
4A	004A104CS	Dog Spring
6A	006A104CS	Eccentric

KEY NO.	PART NO.	DESCRIPTION
6D	006D104	Eccentric Spring
6E	006E103	Eccentric Lever
6F	006F101	Eccentric Lever Mounting Screw
8	008 104	Main Gear Assembly
8A	008A103	Main Gear Shim
10	010 104	Anti-Reverse Ratchet
15	015 104CS	Handle (Complete)
19	019 104	Pinion Gear
19A	019A104CS	Pinion Gear Spacer
20	020 104	Ball Bearing
21	021 104	Bearing Cover
23	023 103	Bearing Cover Screw (2 req.)
24	024 104CS	Bail Wire
27	027 104CS	Rotor Cup
27A	027A104	Rotor End Cover
27E	027E104CS	Balance Weight
27F	027F104CS	Balance Weight Screw
28	028 104	Trip Lever
28A	028A104	Cam Lever
28B	028B103	Cam Lever Mounting Screw
28C	028C104	Trip Cam
28D	046A103	Cam Mount Screw
31	031 103	Bail Arm Screw
32	032 104	Bail Spring
34	034 104CS	Bail Arm
34A	034A103	Bail Arm Spacer
35	035 103CS	Line Roller
35A	035A103CS	Line Roller Bushing
36	036 103CS	Bail Stud Screw
36A	036A103	Lock Washer (2 req.)
38	038 104	Rotor Nut
38A	038A103CS	Rotor Nut Screw
39	039 104CS	Crosswind Shaft
40B	040B104CS	Click Ratchet
43	043 104	Crosswind Arm
43A	043A104CS	Crosswind Block
43B	043B105	Crosswind Arm Screw
44	044 104	Crosswind Arm Pin
45	045 104CS	Housing Cover w/Bushing
46	046 103	Housing Cover Screw (3 req.)
46A	046A103	Rotor End Cover Screw (2 req.)
47	047 104CS	Spool (Complete)
48	048 103CS	Click Tongue
49	049 103CS	Click Spring
49A	022 103CS	Click Spring Screw
51	051 104	Retaining Ring
52	052 104CS	Drag Knob
56	056T104	Drag Washer (Teflon) (3 req.)
57	057 104	Drag Washer (Keyed) (2 req.)
58	058 104	Drag Washer (Ear)
60	060 103	Thrust Washer (Teflon)
106	106 104	Cam Lever Spring
132	132 103CS	Roller Washer
227	227 104	Bail Spring Cover
230	230 104CS	Silent Dog Spring