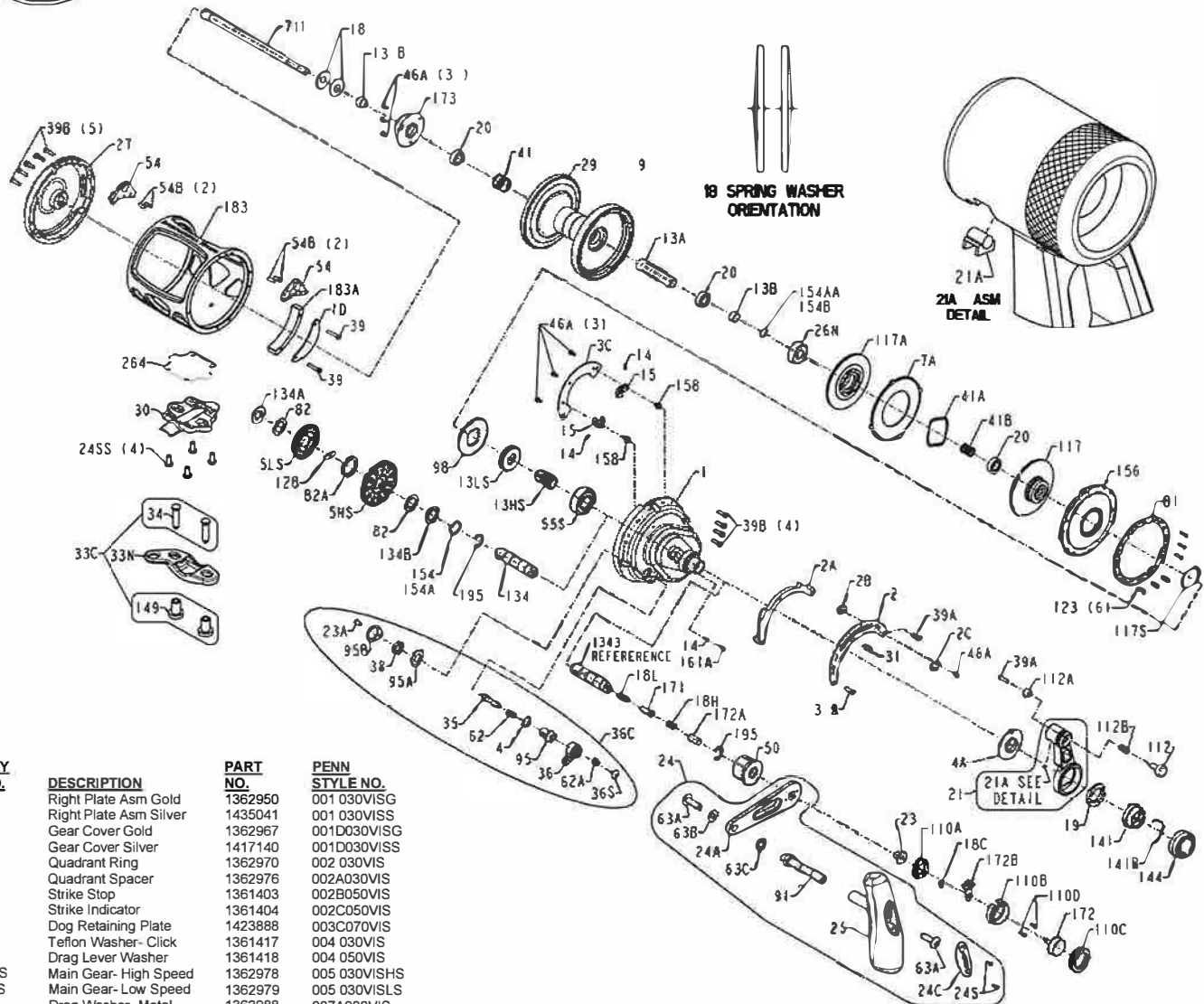




MODELS 30VISW, Gold, 1370779 and 30VISWS, Silver, 1419231



KEY NO.	DESCRIPTION	PART NO.	PENN STYLE NO.
1	Right Plate Asm Gold	1362950	001 030VISG
1	Right Plate Asm Silver	1435041	001 030VISS
1D	Gear Cover Gold	1362967	001D030VISG
1D	Gear Cover Silver	1417140	001D030VISS
2	Quadrant Ring	1362970	002 030VIS
2A	Quadrant Spacer	1362976	002A030VIS
2B	Strike Stop	1361403	002B050VIS
2C	Strike Indicator	1361404	002C050VIS
3C	Dog Retaining Plate	1423888	003C070VIS
4	Teflon Washer- Click	1361417	004 030VIS
4A	Drag Lever Washer	1361418	004 050VIS
5HS	Main Gear- High Speed	1362978	005 030VISHS
5LS	Main Gear- Low Speed	1362979	005 030VISLS
7A	Drag Washer- Metal	1362988	007A030VIS
13A	Spool Spacer Tube	1362953	013A030VISW
13B	Spool Spacer (2 req)	1361364	013B050VIS
13HS	Pinion- High Speed	1362955	013 030VISHS
13LS	Pinion- Low Speed	1362956	013 030VISLS
14	Dog/Click Spring (3 req)	1181406	014 535
15	Dog (2 req)	1423959	015 070VIS
18	Spring Washer (2 req)	1362961	018 030VIS
18C	Shifter Spring	1181632	018C015KG
18H	Shift Spring- Heavy	1265002	018H30SLD2
18L	Shift Spring- Light	1265003	018L30SLD2

KEY NO.	DESCRIPTION	PART NO.	PENN STYLE NO.
19	Drag Cam	1361387	019 050VIS
20	Bearing (3 req)	1181792	020 722
21	Drag Lever Asm Gold	1362968	021 030VISG
21	Drag Lever Asm Silver	1417129	021 030VISS
21A	Drag Lever Guide	1361392	021A050VIS
23	Screw- Handle	1361394	023 050VIS
23A	Screw- Click Retaining Plate	1191283	023L750
24	Handle Assembly	1379677	024 050VIS
24A	Handle Arm	1361395	024 050VIS-1
24C	Knob Cap	1361396	024C050VIS
24S	Screw-Knob Cap (2 req)	1362971	024S050VIS
24SS	Screw- Stand (4 req)	1239042	024SS25MAG2

KEY NO.	DESCRIPTION	PART NO.	PENN STYLE NO.
25	Molded Knob	1361398	025 050VIS
26N	Ball Bearing	1182146	026N040
27	Left Side Plate Gold	1362972	027 030VISG
27	Left Side Plate Silver	1435050	027 030VISS
29	Spool Gold	1362974	029 030VISWG
29	Spool Silver	1436651	029 030VISWS
30	Stand	1361406	030 050VIS
31	Screw- Center Quadrant	1361407	031 050VIS
33C	Rod Clamp Kit	1182770	033C070VS
33N	Rod Clamp	1191619	033N070
34	Screw- Rod Clamp (2 req)	1182792	034 070VS
35	Click Tongue	1361408	035 050VIS
36	Click Button	1361409	036 050VIS
36C	Click Sub-Assembly	1380099	036C050VIS
36S	Screw-Click Button	1361410	036S050VIS
38	Nut- Click Retainer	1183157	038 710
39	Screw-Gear Cover (2 req)	1229974	039 012VS
39A	Screw (3 req)	1361411	039 050VIS
39B	Screw- Left+Right Side (9 req)	1361412	039 050VISN
41	Spring- Left Side Spool	1361414	041 050VIS
41A	Spring- Drag Separating (Wave)	1361415	041A050VIS
41B	Spring- Drive Plate Retaining	1361416	041B050VIS
46A	Screw (7 req)	1183585	046A4300
50	Gear Stud Shield	1362977	050 030VIS
54	Harness Lug (2 req)	1362980	054 030VIS
54B	Pin- Dowel (4 req)	1361422	054B050VIS
55S	Ball Bearing	1435255	055S080
62	Spring- Click Tongue	1184022	062 050
62A	Spring- Click Button (Conical)	1361425	062 050VIS
63A	Screw- Handle(2 req)	1184056	063A050
63B	Washer- Handle Screw	1361426	063B050VIS
63C	Washer- Handle Rivet	1411589	063C050VIS
71	Spindle Assembly	1362984	071 030VISW
81	Click Ratchet Ring (Spool)	1362989	081 030VIS
82	Washer-Teflon (Gears) (2 req)	1265070	082 TRQ40NLD2
82A	Washer- Gear Separating	1265071	082A30SLD2
91	Handle Rivet	1361435	091 050VIS
95	Click Bushing	1361436	095 050VIS
95A	Washer-Click Bushing	1184311	095A050
95B	Click Retaining Plate	1184312	095B070
98	Anti-Reverse Ratchet	1361437	098 050VIS
110A	Shift Button Base	1360907	110A050VIS
110B	Shift Button Body	1360908	110B050VIS
110C	Shift Button Retainer Ring	1362945	110C030VIS
110D	Shift Base Screw- (2 req)	1361350	110D050VIS
112	Strike Button	1361351	112 050VIS
112A	Strike Gate	1361352	112A050VIS
112B	Spring-Strike Button	1361353	112B050VIS
117	Drive Plate Asm- Outer	1362946	117 030VIS
117A	Drive Plate Asm- Inner	1362948	117A030VIS
117S	Drag Cover Seal	1361358	117S050VIS
123	Screw- Spool Ratchet (6 req)	1361359	123 050VIS
128	Shift Key	1265084	128 30SLD2
134	Gear Stud	1280750	134 SQL30VSW
134A	Nut- Gear Stud	1265086	134A30SLD2
134B	Gear Spacer	1265087	134B30SLD2
141	Cam Follower	1361367	141 050VIS
141B	Preset Knob Click Spring	1395581	141B050VIS
144	Preset Knob	1361369	144 050VIS
149	Clamp Nut (2 req)	1184703	149 070
154	Gear Stud Shim (as required)	1265092	154 TRQ40NLD2
154A	Gear Stud Shim (as required)	1306668	154ATRQ40NLD2
154AA	Spool Shim 005 (as required)	1223805	154A016VS
154B	Spool Shim 010 (as required)	1192350	154 016VS
156	Drag Cover	1362957	156 030VIS
158	Dog Pin (2 req)	1361374	158 050VIS
161A	Lever Click Pin	1265098	161ATRQ40SLD2
171	Shift Plunger (Screw)	1265101	171 30SLD2
172	Shift Button (asm)	1362958	172 030VIS
172A	Shift Spacer	1192378	172A070VS
172B	Shift Latch (Moulded)	1389390	172B070VIS
173	Spool Bearing Retainer	1361381	173 050VIS
183	Frame Gold	1362963	183 030VISWG
183	Frame Silver	1428274	183 030VISWS
183A	Frame Extension Gold	1362965	183A030VISG
183A	Frame Extension Silver	1428281	183A030VISS
195	Retaining Ring (2 req)	1184955	195 040
264	Stand Gasket	1192542	264 030VIS

1418699 407-30VISW Rev 01 ECN 2356 2/24/20