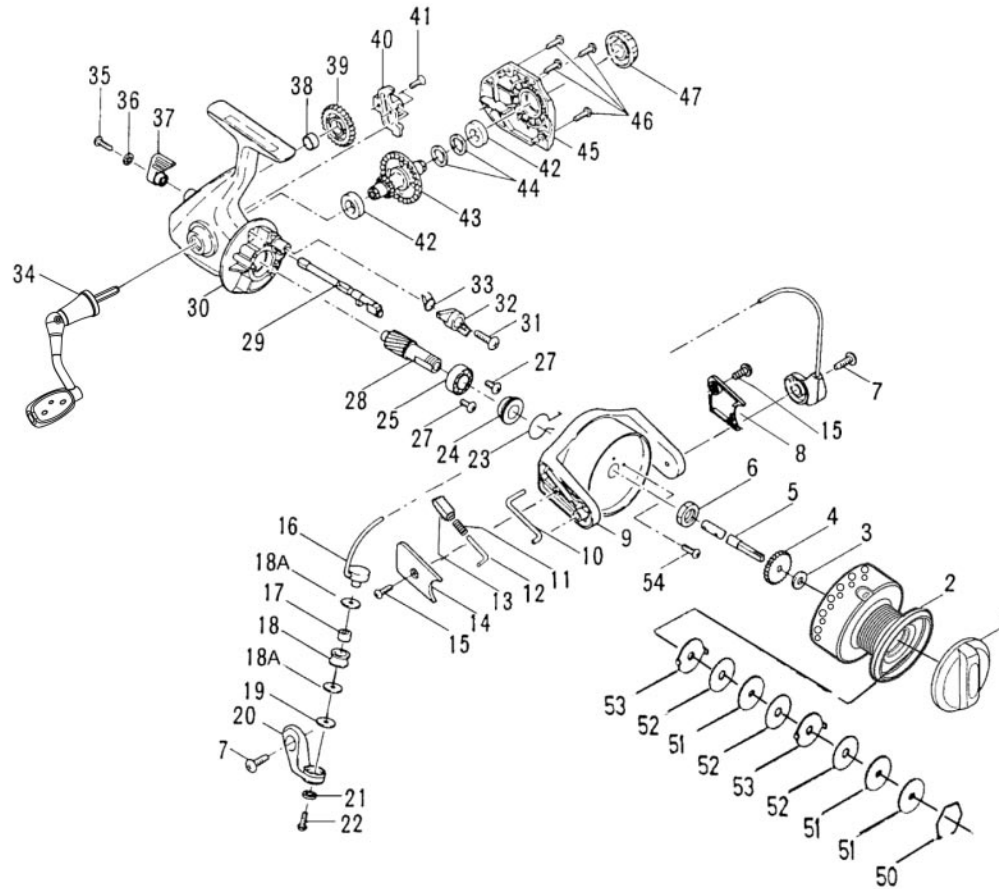


PENN® MODEL PGV 4000



PARTS LIST FOR MODEL PGV4000

KEY NO.	PART NO.	DESCRIPTION
1	52-3000V	Drag Knob ASM. w/Spring
2	47-4000V	Spool Assembly
3	60-3000	Thrust Washer
4	40B-3000	Click Ratchet
5	39-4000	Spool Shaft
6	38-3000	Rotor Nut
7	31A-3000	Arm Screw (2)
8	227-3000V	Cam Cover
9	27-4000V	Rotor Cup
10	28A-3000P	Cam Lever
11	34C-3000P	Pivot Spring
12	34B-3000P	Pivot Shaft
13	34D-1500P	Pivot Guide
14	27A-4000V	Bail Pivot Cover
15	22-875	Cover Screw (2)
16	24-4000P	Bail Wire Assembly
17	35A-3000V	Line Roller Ball Bearing
18	35-3000	Line Roller
18A	35B-1000P	Line Roller Teflon Washer (2)
19	132-3000	Line Roller Washer
20	34-3000V	Bail Arm
21	036A-103	Lock Washer
22	36-1000	Bail Stud Screw
23	230-3000	Silent Dog Spring
24	19A-3000	Pinion Spacer
25	20-3000	Ball Bearing
27	22-875	Bearing Mtg. Screw (2)
28	19-3000	Pinion Gear
29	6A-3000	Eccentric Shaft
30	1-4000V	Housing
31	3-3000	Dog Mounting Screw
32	4-3000	Anti-Reverse Dog
33	4A-3000	Dog Spring
34	15-3000V	Handle Assembly (w/ball brg)
35	6F-3000	Ecc. Lever Mtg. Screw
36	036A-103	Lock Washer
37	6E-3000V	Eccentric Lever
38	231A-3000	Crosswind Gear Bushing
39	231-3000	Crosswind Gear
40	43-3000	Crosswind Gear Block
41	44-1500	Screw
42	2B-3000	Cover & Hsg Bearing (2)
43	8-3000P	Main Gear
44	8A-3000	Main Gear Shim
45	45-4000V	Housing Cover
46	46-1000	Cover Screw (4)
47	233-3000V	Bearing Cover
**48	48-1000P	Spool Click Tongue
**48A	049-103CS	Click Tongue Screw
**49	022-103CS	Click Tongue Spring
50	51-3000	Drag Retaining Ring
51	57-3000	Keyed Drag Washer (3)
52	6-3000	Teflon Drag Washer (3)
53	58-3000	Ear Drag Washer (2)
54	305-875	Rotor Nut Locking Screw