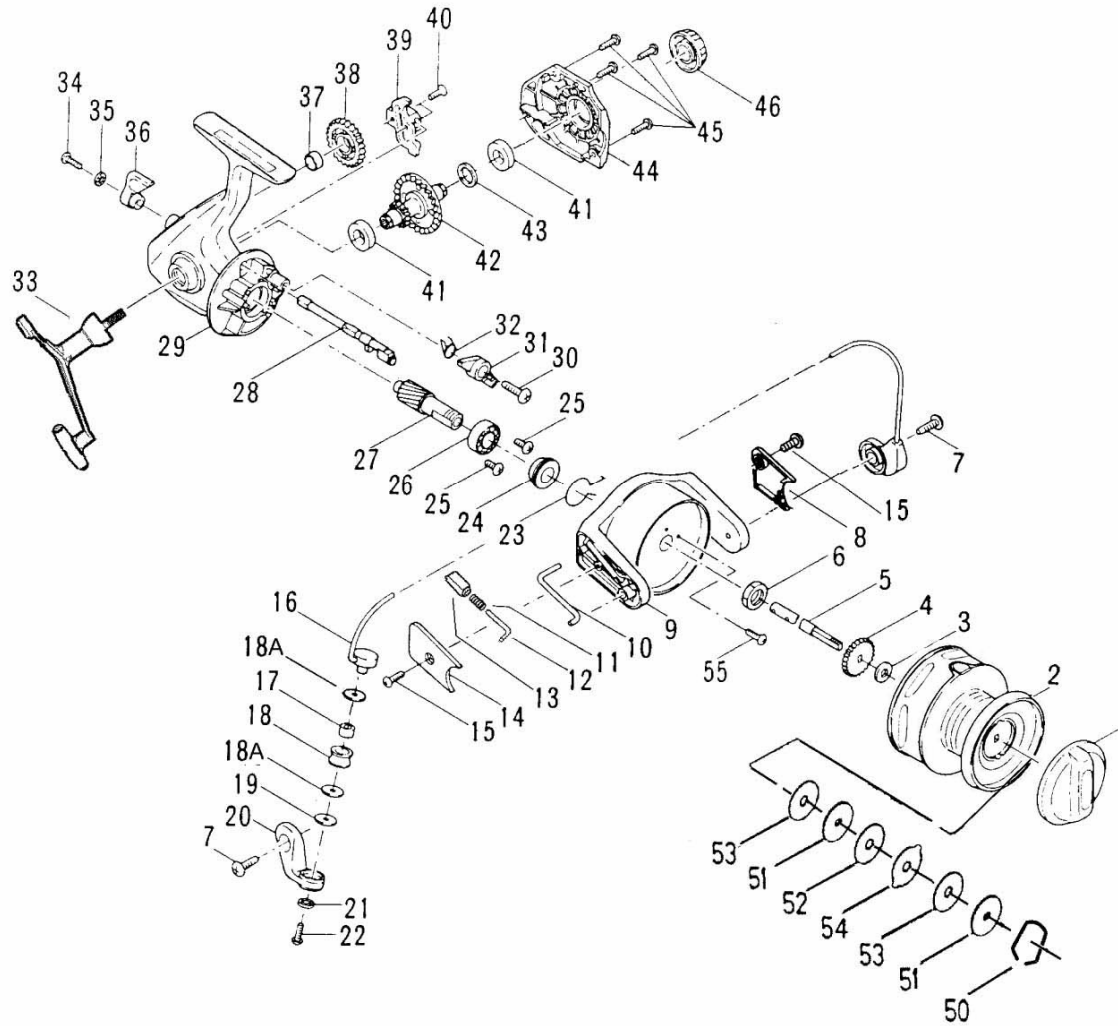




PARTS LIST FOR MODEL PG3-6000



NO.	DESCRIPTION	PART NO.
1	Drag Knob Asm. w/Spring	052 6000
2	Spool Assembly	047 6000
3	Thrust Washer	060 6000
4	Click Ratchet	040B6000
5	Spool Shaft	039 6000
6	Rotor Nut	038 6000
7	Arm Screws (2 req.)	031A3000
8	Cam Cover	227 6000P
9	Rotor Cup	027 6000P
10	Cam Lever	028A6000P
11	Pivot Spring	034C6000
12	Pivot Shaft	034B6000P
13	Pivot Guide	034D6000P
14	Bail Pivot Cover	027A6000P
15	Cover Screws (2 req.)	022 875
16	Bail Wire Assembly	024 6000P
17	Line Roller Bushing	035A3000
18	Line Roller	035 6000
18A	Line Roller Teflon Washer (2 req.)	035B6000P
19	Line Roller Washer	132 3000
20	Bail Arm	034 6000P
21	Lock Washer	036A103
22	Bail Stud Screw	036 1000
23	Silent Dog Spring	230 6000
24	Pinion Spacer	019A6000
25	Bearing Mtg. Screw (2 req.)	022 875
26	Ball Bearing	020 105
27	Pinion Gear	019 6000
28	Eccentric Shaft	006A3000
29	Housing	001 6000P
30	Dog Mounting Screw	003 6000
31	Anti-Reverse Dog	004 6000
32	Dog Spring	004A6000
33	Handle Assembly	015 6000P
34	Eccentric Lever Mtg. Screw	006F3000
35	Lock Washer	036A103
36	Eccentric Lever	006E3000
37	Crosswind Gear Bushing	231A3000
38	Crosswind Gear	231 6000
39	Crosswind Gear Block	043 6000
40	Crosswind Gear Block Screw (2 req.)	044 6000
41	Cover & Housing Bearings (2 req.)	002B6000
42	Main Gear	008 6000P
43	Main Gear Shim	008A6000
44	Housing Cover	045 6000P
45	Cover Screws (4 req.)	046 6000
46	Bearing Cover	233 3000
47**	Spool Click Tongue	048 1000P
48**	Click Tongue Screw	049 103CS
48A**	Click Tongue Spring	022 103CS
50	Drag Retaining Ring	051 6000
51	Keyed Drag Washers (2 req.)	057 6000
52	Teflon Drag Washers (1 req.)	006 6000
53	Drag Washer HT-100 (2 req.)	006 7000
54	Ear Drag Washers (1 req.)	058 3000
55	Rotor Nut Locking Screw	305 875

**Not Shown