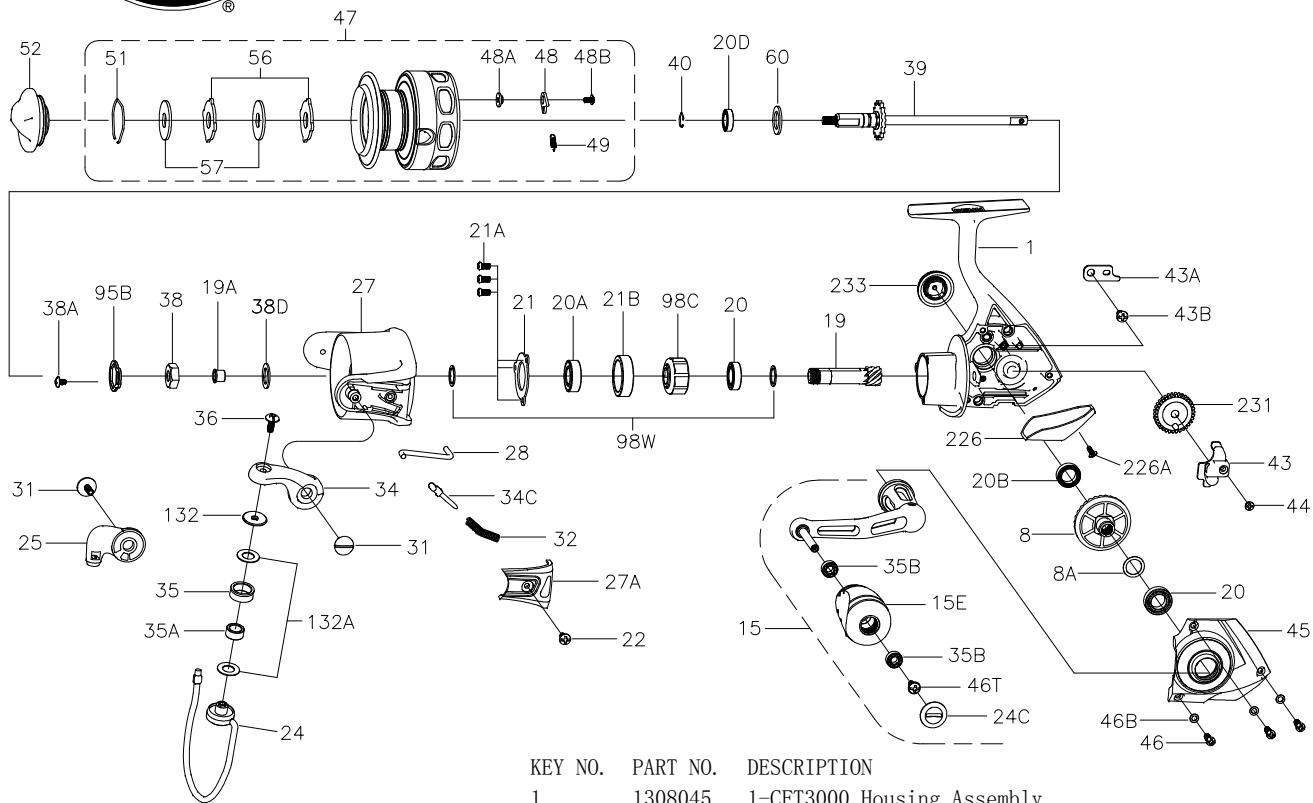




# PARTS LIST FOR MODEL CFT3000



| KEY NO. | PART NO. | DESCRIPTION                               |
|---------|----------|---|
| 1       | 1308045  | 1-CFT3000 Housing Assembly                |
| 8       | 1308047  | 8-CFT3000 Main Gear                       |
| 8A      | 1191028  | 8A-3000SG Shim                            |
| 15      | 1308048  | 15-CFT3000 Handle Assembly                |
| 15E     | 1316412  | 15E-CFT3000 Handle Knob                   |
| 19      | 1191231  | 19-3000SG Pinion Gear                     |
| 19A     | 1191252  | 19A-3000SG Pinion Bushing                 |
| 20      | 1308050  | 20-CFT3000 Ball Bearing (2 req)           |
| 20A     | 1308051  | 20A-CFT3000 Upper Pinion Ball Bearing     |
| 20B     | 1211610  | 20B-5000BTL Ball Bearing                  |
| 20D     | 1211588  | 20D-3000BTL Spool Ball Bearing            |
| 21      | 1308052  | 21-CFT3000 Bearing Retainer               |
| 21A     | 1192644  | 21A-3000SG Bearing Retainer Screw (3 req) |
| 21B     | 1308053  | 21B-CFT3000 Collar                        |
| 22      | 1203997  | 43B-3000PUR Screw                         |
| 24      | 1308054  | 24-CFT3000 Bail Wire Assembly             |
| 24C     | 1316409  | 24C-CFT2000 Handle Knob Cap               |

| KEY NO. | PART NO. | DESCRIPTION                             |
|---------|----------|---|
| 25      | 1308056  | 25-CFT3000 Bail Holder                  |
| 27      | 1308057  | 27-CFT3000 Rotor                        |
| 27A     | 1308059  | 27A-CFT3000 Bail Pivot Cover            |
| 28      | 1308061  | 28-CFT3000 Trip Lever                   |
| 31      | 1308063  | 31-CFT3000 Bail Arm Screw (2 req)       |
| 32      | 1191586  | 32-3000SG Bail Spring                   |
| 34      | 1308064  | 34-CFT3000 Bail Arm                     |
| 34C     | 1308065  | 34C-CFT3000 Pivot Arm                   |
| 35      | 1308066  | 35-CFT3000 Line Roller                  |
| 35A     | 1308067  | 35A-CFT3000 Line Roller Bushing         |
| 35B     | 1316410  | 35B-CFT2000 Ball Bearing (2 req)        |
| 36      | 1191699  | 36-3000SG Bail Stud Screw               |
| 38      | 1191728  | 38-3000SG Rotor Nut                     |
| 38A     | 1308069  | 38A-CFT3000 Rotor Locking Plate Screw   |
| 38D     | 1308070  | 38D-CFT3000 Rotor Nut Washer            |
| 39      | 1308071  | 39-CFT3000 Main Shaft Assembly          |
| 40      | 1308073  | 40-CFT3000 Bearing Lock Spring          |
| 43      | 1200531  | 43-4000SG Crosswind Block               |
| 43A     | 1191818  | 43A-3000SG Crosswind Block Plate        |
| 43B     | 1191826  | 43B-3000SG Crosswind Block Plate Screw  |
| 44      | 1191843  | 44-3000SG Crosswind Block Screw         |
| 45      | 1308074  | 45-CFT3000 Housing Cover Assembly       |
| 46      | 1191901  | 46-3000SG Housing Cover Screw (3 req)   |
| 46B     | 1191907  | 46B-3000SG Housing Cover Washer (3 req) |
| 46T     | 1316411  | 46T-CFT2000 Screw                       |
| 47      | 1308076  | 47-CFT3000 Spool Assembly               |
| 48      | 1211604  | 48-3000SG Click Tongue                  |
| 48A     | 1214226  | 48A-3000SG Click Tongue Washer          |
| 48B     | 1211591  | 48B-3000BTL Spool Click Screw           |
| 49      | 1211605  | 49-3000SG Click Tongue Spring           |
| 51      | 1308078  | 51-CFT3000 Drag Retaining Ring          |
| 52      | 1308079  | 52-CFT3000 Drag Knob Assembly           |
| 56      | 1308080  | 56-CFT3000 Drag Washer (2 req)          |
| 57      | 1192043  | 57-3000SG Keyed Washer (2 req)          |
| 60      | 1192060  | 60-3000SG Thrust Washer                 |
| 95B     | 1308081  | 95B-CFT3000 Rotor Locking Plate         |
| 98C     | 1308082  | 98C-CFT3000 Clutch/Sleeve Assembly      |
| 98W     | 1204004  | 98W-3000PUR Clutch Washer (2 req)       |
| 132     | 1192296  | 132-3000SG Roller Washer                |
| 132A    | 1192302  | 132A-3000SG Line Roller Washer (2 req)  |
| 226     | 1308083  | 226-CFT3000 Rear Cover                  |
| 226A    | 1192473  | 226A-3000SG Rear Cover Screw            |
| 231     | 1192498  | 231-3000SG Crosswind Gear               |
| 233     | 1308084  | 233-CFT3000 Bearing Cover Assembly      |

407-CFT3000 Rev. 2 7-25-14

1292951