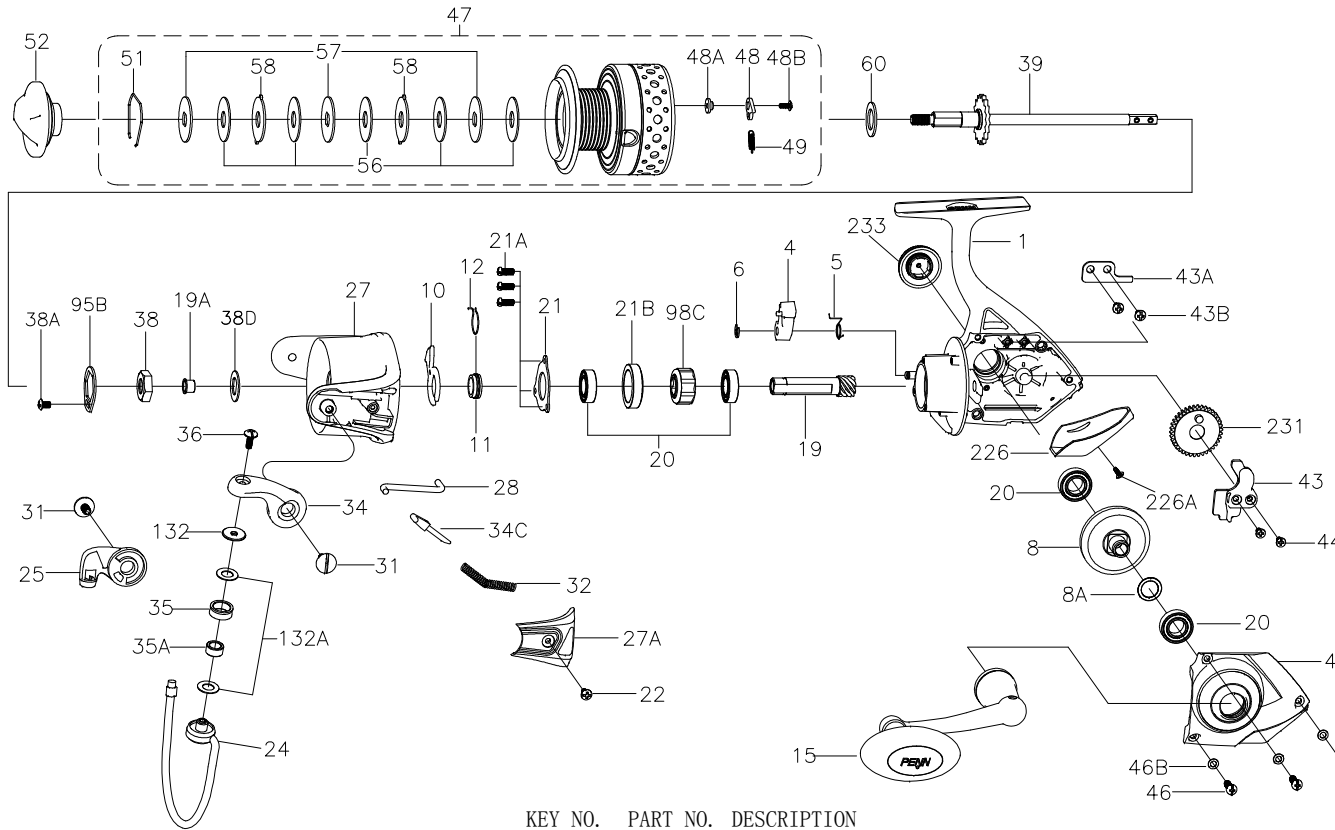




**PARTS LIST FOR MODEL FRCII6000**



KEY NO.	PART NO.	DESCRIPTION
21A	1192645	21A-5000SG Bearing Retainer Screw (3 req)
21B	1324209	21B-BTLII5000 Collar
22	1204018	22-6000PUR Bail Pivot Cover Screw
24	1365746	24-FRCII6000 Bail Wire
25	1308093	25-CFT5000 Bail Holder
27	1365747	27-FRCII6000 Rotor
27A	1365748	27A-FRCII6000 Bail Pivot Cover
28	1365749	28-FRCII6000 Trip Lever
31	1365740	31-FRCII5000 Bail Arm Screw (2 req)
32	1200520	32-6000SG Bail Spring
34	1308103	34-CFT6000 Bail Arm
34C	1191652	34C-5000SG Pivot Arm
35	1308066	35-CFT3000 Line Roller
35A	1308067	35A-CFT3000 Line Roller Bushing
36	1191699	36-3000SG Bail Stud Screw
38	1191729	38-5000SG Rotor Nut
38A	1365741	38A-FRCII5000 Screw
38D	1308104	38D-CFT5000 Rotor Nut Washer
39	1308106	39-CFT6000 Main Shaft Assembly
43	1308107	43-CFT5000 Crosswind Block
43A	1191820	43A-5000SG Crosswind Block Plate
43B	1191827	43B-5000SG Crosswind Block Plate Screw (2 req)
44	1191845	44-5000SG Crosswind Block Screw (2 req)
45	1365750	45-FRCII6000 Housing Cover Assembly
46	1191903	46-5000SG Housing Cover Screw (3 req)
46B	1191908	46B-5000SG Housing Cover Washer (3 req)
47	1365751	47-FRCII6000 Spool Assembly
48	1211625	48-5000SG Click Tongue
48A	1211626	48A-5000SG Click Tongue Washer
48B	1211612	48B-5000SG Spool Click Screw
49	1211627	49-5000SG Click Tongue Spring
51	1308112	51-CFT5000 Drag Retaining Ring
52	1365744	52-FRCII6000 Drag Knob Assembly
56	1192036	56-5000SG Drag Washer (5 req)
57	1192044	57-5000SG Keyed Washer (3 req)
58	1192053	58-5000SG Eared Washer (2 req)
60	1211629	60-5000BTL Thrust Washer
95B	1308115	95B-CFT5000 Rotor Locking Plate
98C	1308116	98C-CFT5000 Clutch/Sleeve Assembly
132	1192297	132-5000SG Roller Washer
132A	1192302	132A-3000SG Line Roller Washer (2 req)
226	1308117	226-CFT5000 Rear Cover
226A	1192473	226A-3000SG Rear Cover Screw
231	1200523	231-6000SG Crosswind Gear
233	1214209	233-5000FRC Bearing Cover Assembly

KEY NO.	PART NO.	DESCRIPTION
1	1365745	1-FRCII6000 Housing Assembly
4	1190937	4-5000SG Dog
5	1190966	5-5000SG Dog Spring
6	1190979	6-5000SG Retaining Clip
8	1191019	8-5000SG Main Gear
8A	1191030	8A-5000SG Shim
10	1191066	10-5000SG A/R Holder
11	1191085	11-5000SG Bushing
12	1313865	12-CFT8000 A/R Bushing Spring
15	1365735	15-FRCII5000 Handle Assembly
19	1364030	19-BTLII5000 Pinion Gear
19A	1191253	19A-5000SG Pinion Bushing
20	1204012	20-5000PUR Ball Bearing (4 req)
21	1192636	21-5000SG Bearing Retainer

407-FRCII6000 Rev. 0 8-19-14

1364042