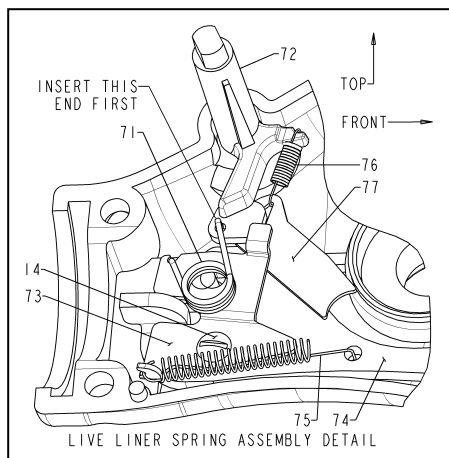
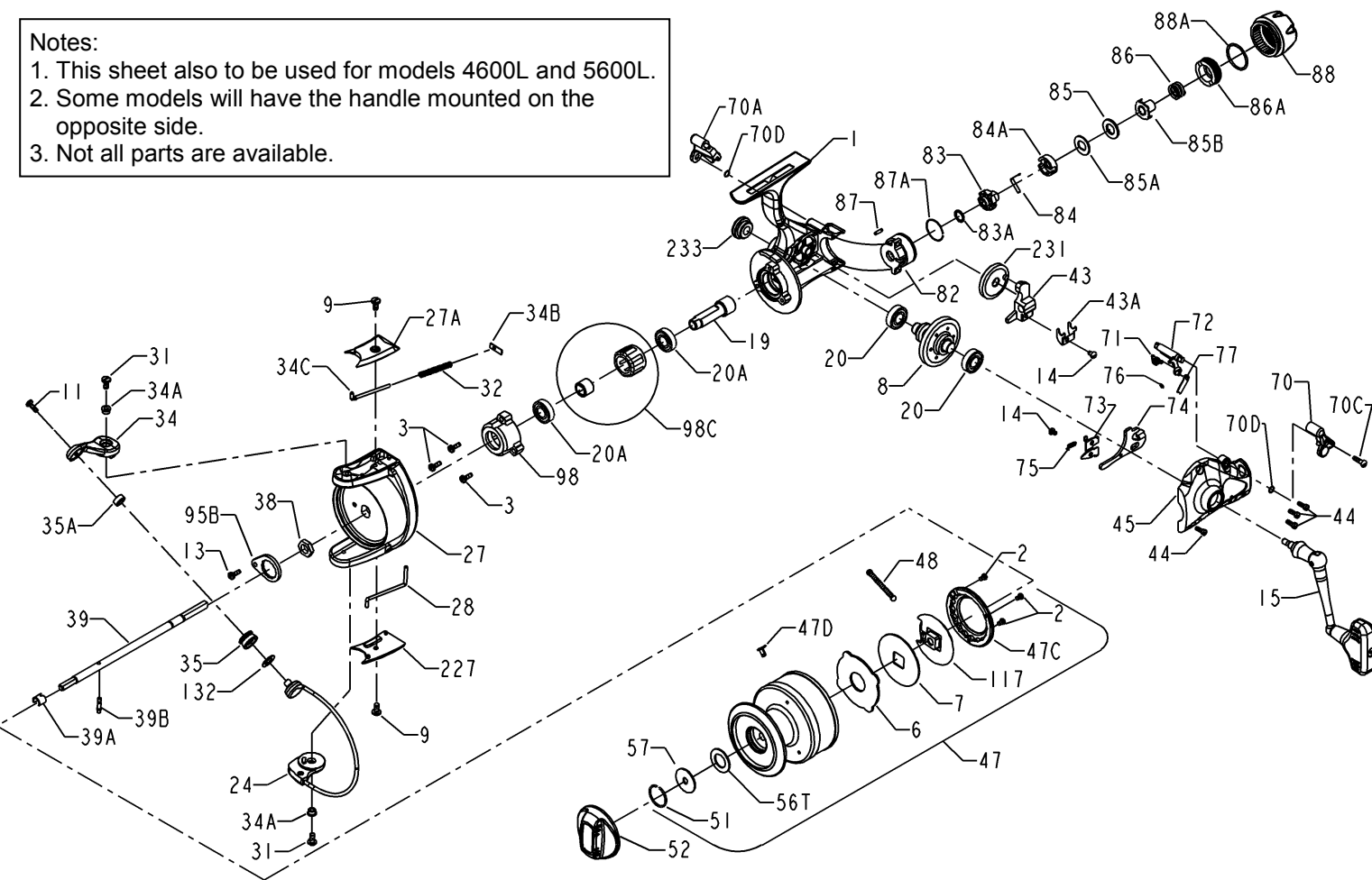


PENN[®] PARTS LIST FOR MODELS 460L AND 560L

REEL ASSEMBLY Nos. 1187640 (460L) and 1152054 (560L)

Notes:

1. This sheet also to be used for models 4600L and 5600L.
2. Some models will have the handle mounted on the opposite side.
3. Not all parts are available.



KEY NO.	DESCRIPTION	PENN STYLE NO.	ORDER PART NO.
24	Bail Wire Assembly	024 4600	1182039
24	Bail Wire Assembly	024 5600	1182049
27	Rotor Cup 460L	027 4600	1182242
27	Rotor Cup 560L	027 5600	1182264
27A	Bail Pivot Cover	027A5600	1182327
28	Trip Lever	028 5600	1182403
31	Screw (2 req.)	036 750	1183016
32	Bail Spring	032 5600	1182732
34	Bail Arm	034 5600	1182823
34A	Rotor Bushing (2 req.)	034A5600	1182846
34B	Pivot Plate	034B5600	1182856
34C	Pivot Arm	034C5600	1182882
35	Line Roller	035 5600	1182933
35A	Ball Bearing	035A706	1182963
38	Rotor Nut	038 5600	1183154
39	Spool Shaft	039 5600	1183223
39A	Locating Pin Clip	039A5600	1183247
39B	Locating Pin	039B5600	1183251
43	Crosswind Block	043N5600	1183432
43A	Spool Shaft Clip	043A5600	1183426
44	Screw (4 req.)	039 004CH	1183179
45	Housing Cover	045 4600	1183506
45	Housing Cover	045 5600	1183513
47	Spool Assembly 460L	047 460	1183641
47	Spool Assembly 560L	047 560	1183649
47C	Drag Cover	047C5600	1183688
47D	Line Clip	047D5600	1183690
48	Click Tongue	048 5600	1183710
51	Retaining Ring	051 650	1183794
52	Drag Knob Assembly	052 560	1183825
56T	Drag Washer (Teflon)	056T650	1183917
57	Drag Washer (Keyed)	057 5600	1183934
70	Live Liner Eccentric	070 5600	1184137
70A	Live Liner Eccentric	070A5600	1184140
70C	Screw	070C5600	1184143
70D	Live Liner O-Ring (2 req.)	070D760L	1202030
71	Live Liner Spring	071 5600	1184155
72	Live Liner Eccentric	072 5600	1184177
73	Live Liner Plate	073 5600	1184182
74	Live Liner Dog	074 5600	1184186
75	Live Liner Dog Spring	075 5600	1184191
76	Trip Spring	076 5600	1192141
77	Trip Lever	077 5600	1192143
82	Rear Housing	082 5600	1184223
83	Rear Drag Ratchet	083 5600	1184231
83A	Rear Ratchet Washer	083A5600	1184234
84	Rear Drag Click Spring	084 5600	1184237
84A	Rear Drag Click	084A5600	1184240
85	Rear Drag Washer	085 5600	1184245
85A	Rear Keyed Washer	085A5600	1184247
85B	Rear Eared Washer	085B5600	1184249
86	Rear Drag Spring	086 5600	1184263
86A	Rear Drag Nut	086A5600	1184274
87	Rear Click Pin	087 5600	1184281
87A	Rear Click Pin Ring	087A5600	1184283
88	Rear Drag Knob	088 560L	1192175
88A	Rear Drag Knob O-Ring	088A760L	1202031
95B	Rotor Locking Plate	095B070	1184312
98	Clutch Retainer	098 5600	1184364
98C	Clutch / Sleeve Asm	098C5600	1192217
117	Drive Plate	117 5600	1184487
132	Line Roller Washer	132 5600	1184590
227	Bail Trip Cover	227 5600	1185050
231	Crosswind Gear	231N5600	1185121
233	Bearing Cover	233 560	1185146

KEY NO.	DESCRIPTION	PENN STYLE NO.	ORDER PART NO.
1	Housing Assembly 460L	001 4600	1180516
1	Housing Assembly 560L	001 5600	1180531
2	Screw (3 req.)	044 5600	1183455
3	Screw (3 req.)	044 710	1183459
6	Main Drag Washer HT-100	006 5600	1180923
7	Main Keyed Drag Washer	007 5600	1181019
8	Main Gear Assembly	008 5600	1181090
9	Screw (2 req.)	022 750	1181922
11	Screw	036 5600	1183011
13	Screw	063A2.5FR	1184057
14	Screw (2 req.)	044 4400	1183452
15	Handle Assembly 460L	015 460	1181473
15	Handle Assembly 560L	015 560	1181483
19	Pinion	019 5600	1181702
20	Ball Bearing (2 req.)	020 722	1181792
20A	Ball Bearing (2 req.)	020 6500	1181789