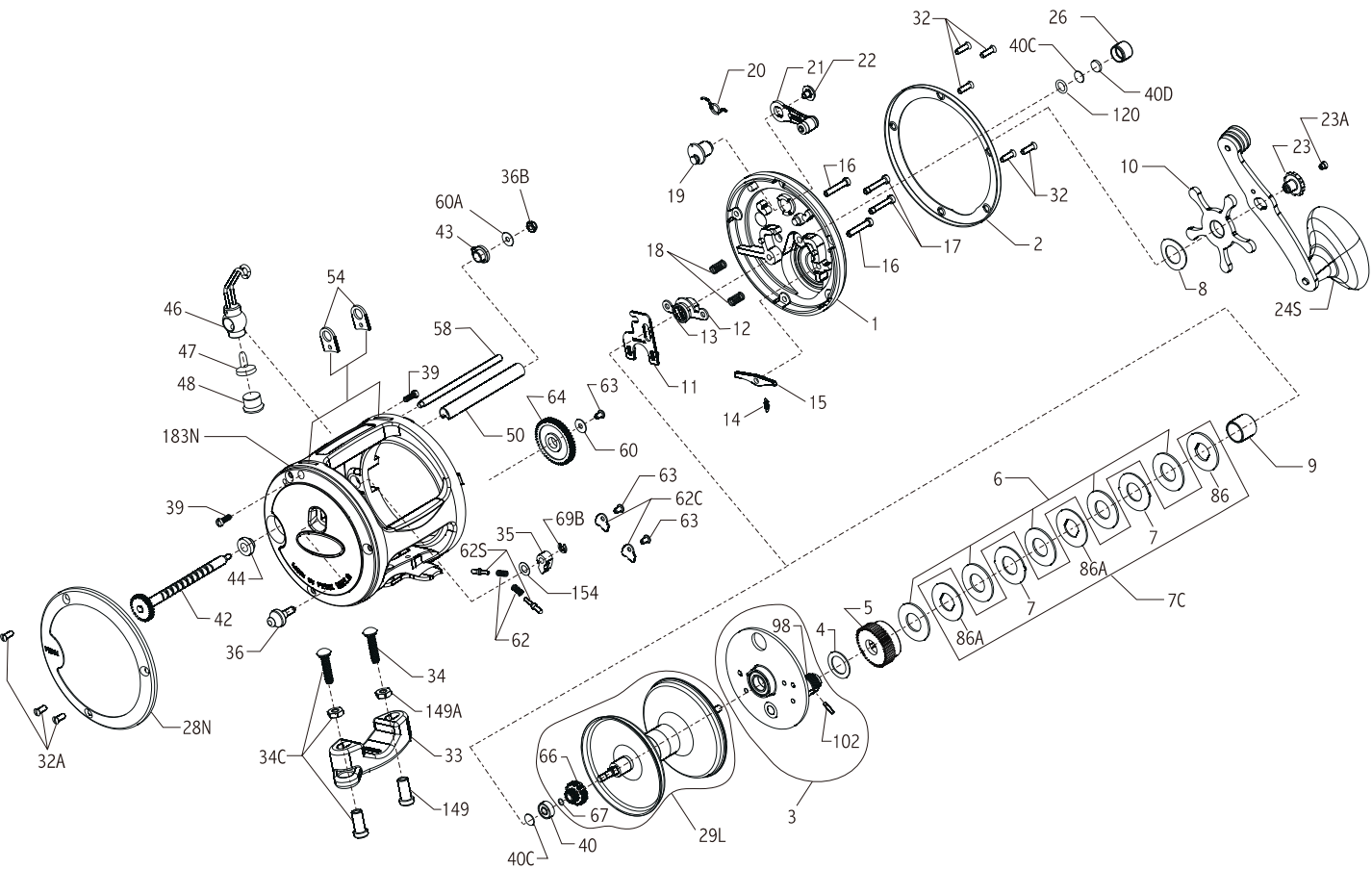




PARTS LIST FOR MODELS 340GT2 AND 345GT2



NOTE: NOT ALL PARTS AT THE SAME SCALE

KEY NO.	PART NO.	DESCRIPTION
1	1195524	1-340GT2 Right Side Plate
2	1195525	2-340GT2 Right Side Ring
3	1195526	3-340GT2 Bridge Assembly
4	1180775	4-349 Fiber Washer
5	1180843	5-113H Main Gear
6	1180909	6-113H Friction Drag Washer (5 req.)
7	1181029	7-970 Drag Washer Eared(2 req.)
7C	1197506	7C-113H2 Drag Washer Kit
8	1181077	8-349 Tension Spring
9	1195527	9-340GT2 Spacing Sleeve
10	1181197	10-349 Star Drag
11	1195528	11-340GT2 Eccentric Jack
12	1181257	12-060 Pinion Yoke
13	1181317	13-113H Pinion Gear
14	1181402	14-330 Dog Spring
15	1195529	15-340GT2 Dog
16	1181570	16-113H Lower Bridge Screw (2 req.)
17	1181595	17-113H Upper Bridge Screw (2 req.)
18	1181615	18-060 Clutch Spring (2 req.)
19	1195530	19-340GT2 Eccentric Cam
20	1288917	20-113H2 Eccentric Spring
21	1195531	21-340GT2 Eccentric Lever Assembly
22	1181908	22-060CH Eccentric Screw
23	1181945	23-114 Handle Assembly Screw
23A	1184437	110-060 Handle Lock Screw
24S	1191341	24S-225 Handle Assembly
26	1203720	26-340 Spool Tension Cap
28N	1195532	28-340GT2 Left Side Ring
29L	1195533	29L-340GT2 Spool Assembly
29L	1195534	29L-345GT2 Spool Assembly
32	1182710	32-017 R.S. Plate Screw (5 req.)
32A	1182722	32-310 L.S. Ring Screw (3 req.)
33	1197532	33-114H2 Rod Clamp
34	1182788	34-045 Clamp Screw Only (2 req.)
34C	1182862	34C-045 Clamp Screw Kit
35	1182922	35-310N Click Tongue
36	1191700	36-330 Click Button
36B	1183014	36-700 Worm Shaft Nut
39	1183179	39-4CH Screw (2 req.)
40	1183280	40-320 Ball Bearing
40C	1183310	40C-320 Metal Thrust Washer (2 req.)
40D	1183317	40D-320 Rubber Thrust Washer
42	1195535	42-340GT2 Worm Assembly
42	1195536	42-345GT2 Worm Assembly
43	1195537	43-340GT2 Right Side Worm Bearing
44	1195538	44-340GT2 Left Side Worm Bearing
46	1195541	46-340GT2 Line Guide Carriage
47	1183625	47-340 Pawl
48	1183704	48-330N Pawl Cover Screw
50	1195539	50-340GT2 Worm Shield
50	1195540	50-345GT2 Worm Shield
54	1183856	54-113 Lug (2 req.)
58	1195542	58A-340GT2 Line Guide Post
58	1195543	58A-345GT2 Line Guide Post
60	1183991	60-320 Idler Gear Washer
60A	1183991	60-320 Worm Gear Washer
62	1184033	62A-310 Click Spring (2 req.)
62C	1184041	62C-321LH Click Spring Cover (2 req.)
62S	1192075	62S-310 Click Pin (2 req.)
63	1184052	63-500S Idler Gear Screw (3 req.)
64	1195544	64-340GT2 Idler Gear
66	1184093	66-320 Spool Gear Click Ratchet
67	1184102	67-009 Spool Gear Lock Ring
69B	1184129	69B-600 Click Button Retaining Ring
86	1184253	86-113H Drag Washer Keyed(060)
86A	1184270	86-970 Drag Washer Keyed(036)(2req.)
98	1195545	98-340GT2 Gear Sleeve w/Pin
102	1192230	102-113 Pin
120	1203719	120-340GT2 "O" Ring
149	1184702	149-045 Clamp Nut Only (2 req.)
149A	1184706	149-200 Hex Nut Only (2 req.)
154	1184721	154-117 Click Button Washer
183N	1195546	183N-340GT2 Frame Assembly
183N	1195547	183N-345GT2 Frame Assembly