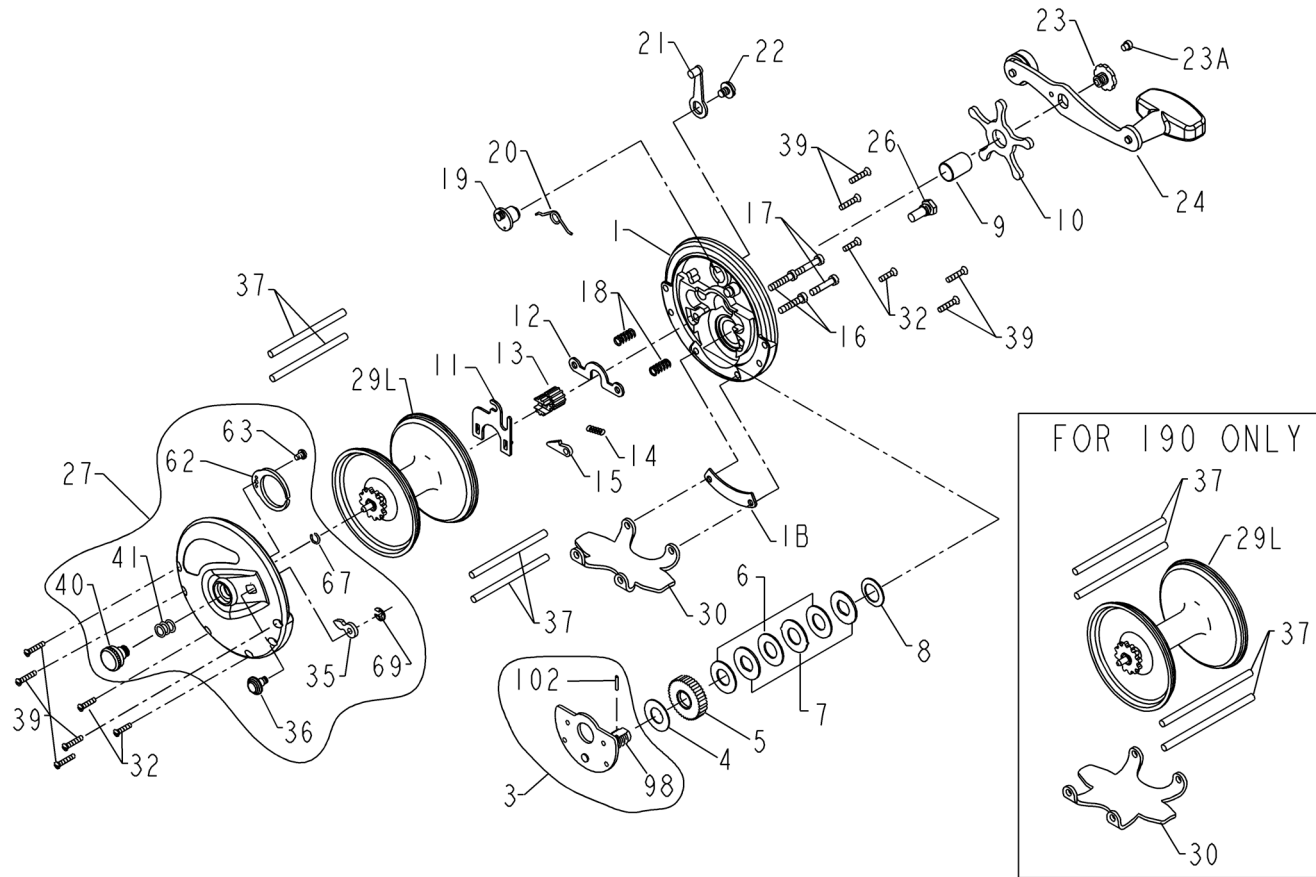




PARTS LIST FOR MODELS 185 AND 190



<u>KEY NO.</u>	<u>PART NO.</u>	<u>DESCRIPTION</u>
1	001 185	Right Side Plate
1B	001B185	Gear Cover
3	003 185	Bridge Assembly
4	004 155	Fiber Washer
5	005 185	Main Gear
6	006 309	Drag Washer (3 req.)
7	007C500	Metal Washer Set
8	008 060	Tension Spring
9	009 060	Spacing Sleeve
10	010 060	Star Drag Wheel
11	011 185	Eccentric Jack
12	012 060	Pinion Yoke
13	013 185	Pinion
14	014 099	Dog Spring
15	015 085	Dog
16	016 060CH	Lower Bridge Screw (2 req.)
17	017 060CH	Upper Bridge Screw (2 req.)
18	018 060	Clutch Spring (2 req.)
19	019 330	Eccentric
20	020 155	Eccentric Spring
21	021 285	Eccentric Lever
22	022 060CH	Eccentric Screw
23	023 060	Handle Screw
23A	110 060	Handle Lock Screw
24	024 066	Handle
26	026 060	Right Side Bearing
27	027 185	Left Side Plate Assembly
	027 190	Left Side Plate Assembly
29L	029L085	Spool Assembly (185)
	029L190	Spool Assembly (190)
30	030 085	Stand (185)
	030 065	Stand (190)
32	032 014CH	Stand Screw (4 req.)
35	035P 060	Click Tongue
36	036 185	Click Button
37	037 111	Frame Post (185) (4 req.)
	037 065	Frame Post (190) (4 req.)
39	039 004CH	Side Plate Screw (8 req.)
40	040 185	Left Side Bearing
41	041 060	Left Side Bearing Spring
62	062M309	Click Spring
63	063 330	Click Spring Screw
67	067 185	Lock Ring
69	069B600	Retaining Ring
98	098 155	Gear Sleeve
102	102 060	Gear Sleeve Pin