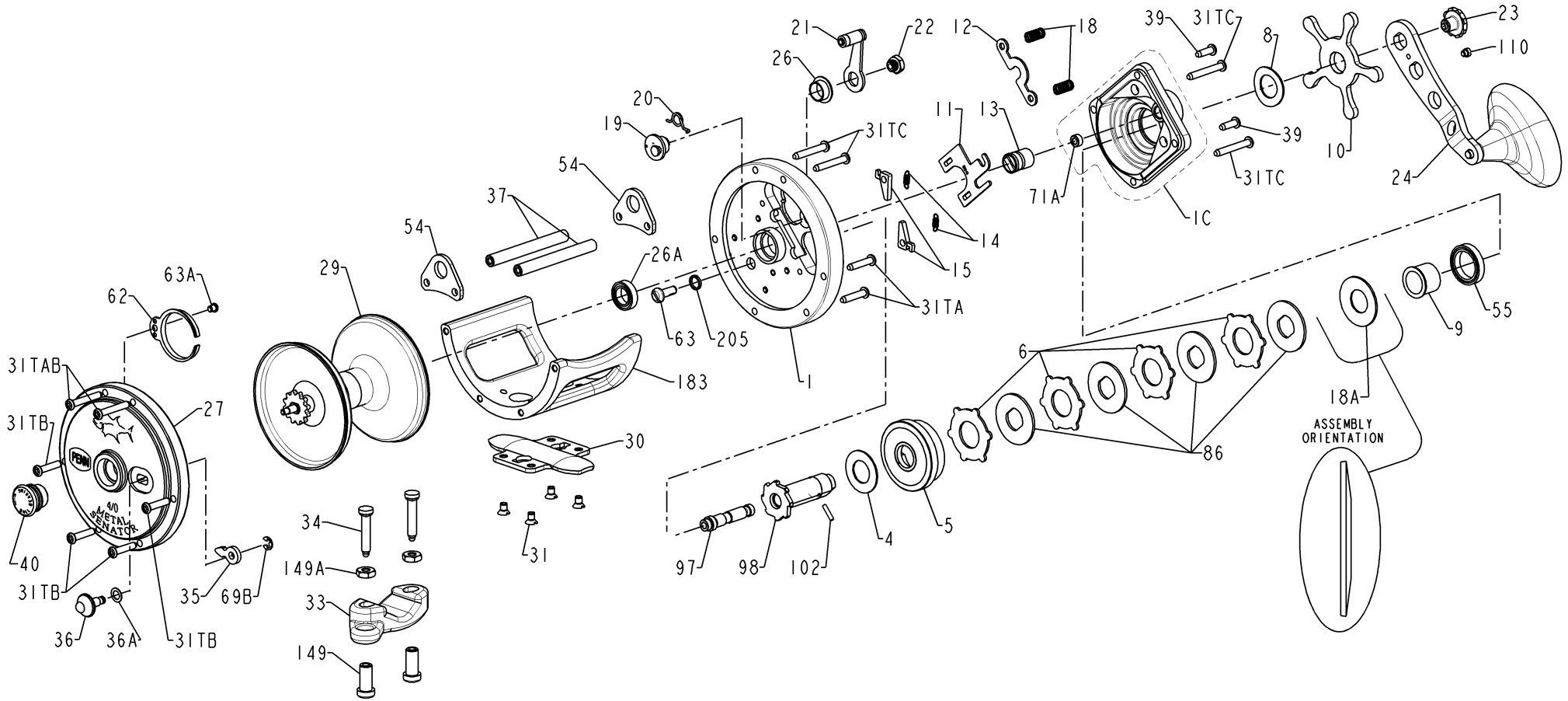




# PARTS LIST FOR MODEL 113MTL



KEY NO	113M PART NO.	DESCRIPTION
1	001 113M	Right Side Plate
1C	001C113M	Right Side Plate Cover Assembly
4	004 113M	Fibre Washer
5	005 113M	Main Gear
6	006 525MAG	Drag Washer (4 req)
8	008 349	Tension Washer
9	009 113M	Spacing Sleeve
10	010 349	Drag Star
11	011 113	Eccentric Jack
12	012 113M	Pinion Yoke
13	013 113M	Pinion Gear
14	014 114M	Dog Spring (2 req)
15	015 113M	Anti Reverse Dog (2 req)
18	018 060	Clutch Spring (Yoke) (2 req)
18A	018 113M	Bellville Washer
19	019 113M	Eccentric
20	020 155	Eccentric Spring

KEY NO	113M PART NO.	DESCRIPTION
21	021 113M	Eccentric Lever Assembly
22	022 099	Eccentric Lever Screw
23	023 114	Handle Screw
24	024 113M	Handle Assembly
26	026 113M	Eccentric Bushing
26A	026A2.5FR	Ball Bearing
27	027 113M	Left Side Plate
29	029 113M	Spool Assembly
30	030 016VS	Stand
31	031 016VS	Stand Mounting Screw (4 req)
31TA	031TA200T	R. Side Plate Screw (Frame) (2 req)
31TAB	031TA300T	L. Side Plate Screw (Post) (2 req)
31TB	031TB300T	L. Side Plate Screw (Frame) (4 req)
31TC	031TC300T	R. Side Plate Screw (Top & Bottom)(4 req)
33	033 113	Rod Clamp
34	034 016VS	Clamp Screw (2 req)
35	035 060	Click Tongue
36	036 113	Click Button
36A	036A300T	Click Button Washer

KEY NO	113M PART NO.	DESCRIPTION
37	037 113M	Frame Post (2 req)
39	039 300LD	R.S. Cover Screw (Top)(2 req)
40	040 113HL	Bearing Cup Assembly
54	054 113M	Harness Lug (2 req)
55	055 114M	Ball Bearing
62	062 309	Click Spring
63	063 030T	Stud Screw
63A	063 209	Click Spring Screw
69B	069B600	Click Tongue Retaining Ring
71A	071A113M	Spindle Bushing
86	086 113M	Keyed Drag Washer (4 req)
97	097 113M	Gear Sleeve Stud
98	098 113M	Gear Sleeve
102	102 113	Gear Sleeve Pin
110	110 060	Handle Lock Screw
149	149 045	Rod Clamp Nut (2 req)
149A	149 200	Hex Nut (2 req)
183	183 113M	Frame
205	205 300T	Gear Stud Washer