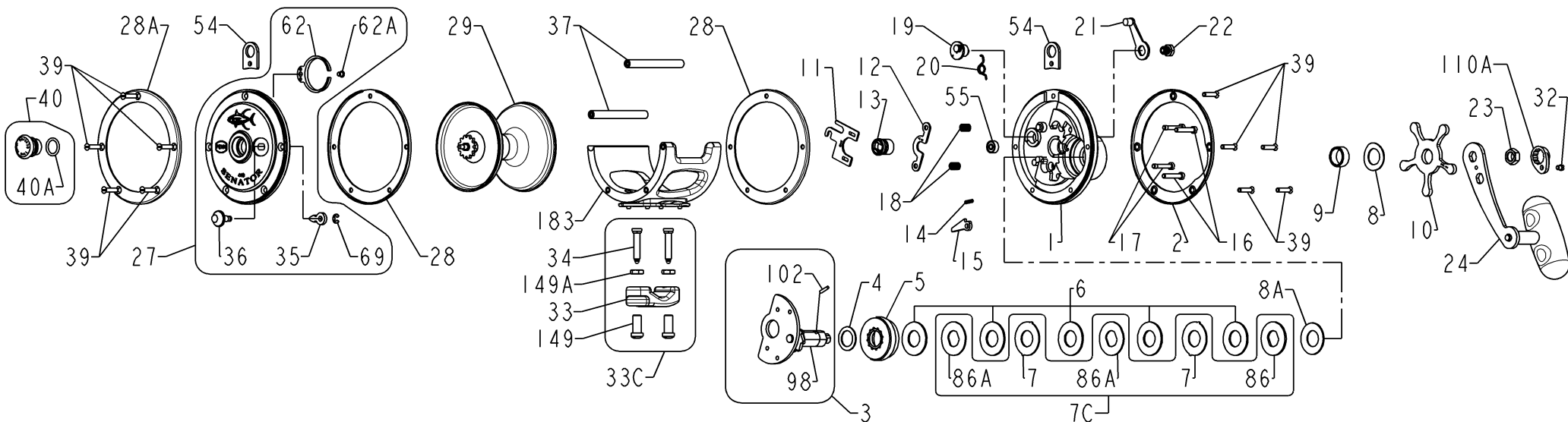


PENN PARTS LIST FOR MODELS 113H2 (1153838), 113H2LW (1153841), AND 113H2SP (1153840)



| <u>KEY NO.</u> | <u>113H2 PART NO.</u> | <u>113H2LW PART NO.</u> | <u>113H2SP PART NO.</u> | <u>DESCRIPTION</u> | <u>KEY NO.</u> | <u>113H2 PART NO.</u> | <u>113H2LW PART NO.</u> | <u>113H2SP PART NO.</u> | <u>DESCRIPTION</u> |
|----------------|-----------------------|-------------------------|-------------------------|--------------------------------------|----------------|-----------------------|-------------------------|-------------------------|---|
| 1 | 1197481 | 1197481 | 1197481 | 1-113H2 Right Side Plate | 27 | 1197521 | 1197521 | 1197521 | 27-113H2 Left Side Plate |
| 2 | 1197489 | 1197489 | 1197489 | 2-113H2O Outer Right Side Ring | 28 | 1197488 | 1197488 | 1197488 | 2-113H2I Inner Side Ring (2 req.) |
| 3 | 1197495 | 1197495 | 1197495 | 3-113H2 Bridge Assembly | 28A | 1197527 | 1197527 | 1197527 | 28-113H2 Outer Left Side Ring |
| 4 | 1180775 | 1180775 | 1180775 | 4-349 Fiber Washer | 29 | 1191514 | 1191516 | 1191515 | 29-113H2, H2W, H2SP Spool |
| 5 | 1180843 | 1180843 | 1180843 | 5-113H Main Gear | 32 | 1182708 | 1182708 | 1182708 | 32-15 Handle Nut Cap Screw |
| 6 | 1180909 | 1180909 | 1180909 | 6-113H Drag Washer (5 req.) | 33 | 1182754 | 1182754 | 1182754 | 33-113 Rod Clamp |
| 7 | 1181029 | 1181029 | 1181029 | 7-970 Metal Ear Drag Washer (2 req.) | 33C | 1197533 | 1197533 | 1197533 | 33C-112H2 Rod Clamp Kit |
| 7C | 1197506 | 1197506 | 1197506 | 7C-113H2 Metal Drag Washer Set | * | *1182783 | *1182783 | *1182783 | *33R-200 Ringed Rod Clamp (Optional) |
| 8 | 1181077 | 1181077 | 1181077 | 8-349Tension Spring | 34 | 1182786 | 1182786 | 1182786 | 34-016VS Clamp Screw (2 req.) |
| 8A | 1181627 | 1181627 | 1181627 | 18-970 Tension Spring | 35 | 1182901 | 1182901 | 1182901 | 35-060 Click Tongue |
| 9 | 1197507 | 1197507 | 1197507 | 9-113H2 Spacing Sleeve | 36 | 1182989 | 1182989 | 1182989 | 36-113 Click Button |
| 10 | 1181197 | 1181197 | 1181197 | 10-349 Star Drag Wheel | 37 | 1183066 | 1183067 | 1183066 | 37-113, 113HLW Frame Post (2 req.) |
| 11 | 1181233 | 1181233 | 1181233 | 11-113 Eccentric Jack | 39 | 1197540 | 1197540 | 1197540 | 39-112H Side Plate Screw (10 req.) |
| 12 | 1181257 | 1181257 | 1181257 | 12-60 Pinion Yoke | 40 | 1197542 | 1197542 | 1197542 | 40N-113HL Left Side Bearing Assembly |
| 13 | 1181317 | 1181317 | 1181317 | 13-113H Pinion | 40A | 1184522 | 1184522 | 1184522 | 120-113H Left Side Bearing O-Ring |
| 14 | 1181393 | 1181393 | 1181393 | 14-99 Dog Spring | 54 | 1183856 | 1183856 | 1183856 | 54-113 Harness Lug (2 req.) |
| 15 | 1181435 | 1181435 | 1181435 | 15-113H Dog | 55 | 1183880 | 1183880 | 1183880 | 55-113H Right Side Bearing |
| 16 | 1181570 | 1181570 | 1181570 | 16-113H Lower Bridge Screw (2 req.) | 62 | 1184028 | 1184028 | 1184028 | 62-309 Click Spring |
| 17 | 1181595 | 1181595 | 1181595 | 17-113H Upper Bridge Screw (2 req.) | 62A | 1184048 | 1184048 | 1184048 | 63-209 Click Spring Screw |
| 18 | 1181615 | 1181615 | 1181615 | 18-60 Clutch Spring (2 req.) | 69 | 1184129 | 1184129 | 1184129 | 69B-600 Retaining Ring |
| 19 | 1181662 | 1181662 | 1181662 | 19-113 Eccentric | 86 | 1184253 | 1184253 | 1184253 | 86-113H Metal Keyed Drag Washer |
| 20 | 1288917 | 1288917 | 1288917 | 20-113H2 Eccentric Spring | 86A | 1184270 | 1184270 | 1184270 | 86-970 Metal Keyed Drag Washer (2 req.) |
| 21 | 1181835 | 1181835 | 1181835 | 21-66 Eccentric Lever | 98 | 1197430 | 1197430 | 1197430 | 98-113H Gear Sleeve |
| 22 | 1197513 | 1197513 | 1197513 | 22-112H2 Eccentric Screw | 102 | 1192230 | 1192230 | 1192230 | 102-113 Gear Sleeve Pin |
| 23 | 1181950 | 1181950 | 1181950 | 23-555 Handle Nut | 110A | 1184442 | 1184442 | 1184442 | 110A-555 Handle Nut Cap |
| 24 | 1197517 | 1197517 | 1197517 | 24-113H2 Handle Assembly | 149 | 1184702 | 1184702 | 1184702 | 149-045 Clamp Nut (2 req.) |
| | | | | | 149A | 1184706 | 1184706 | 1184706 | 149-200 Hex Nut (2 req.) |
| | | | | | 183 | 1198906 | 1198939 | 1198908 | 183N-113HL, HLW, HSP Frame Asm. |

*Not Shown