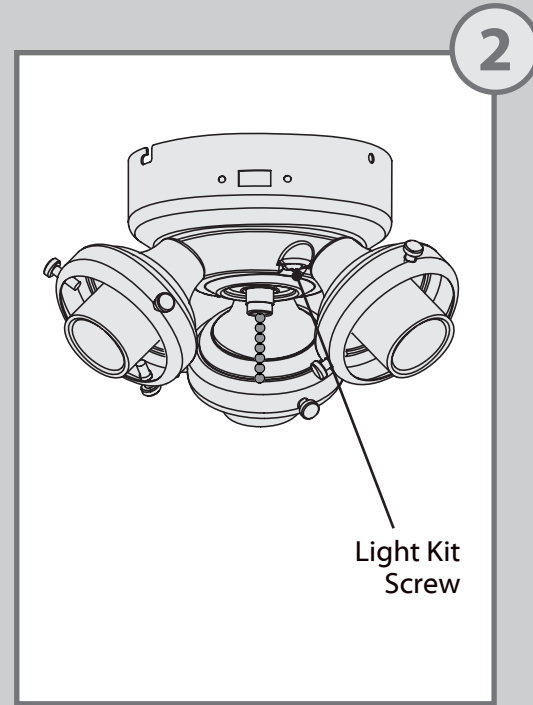
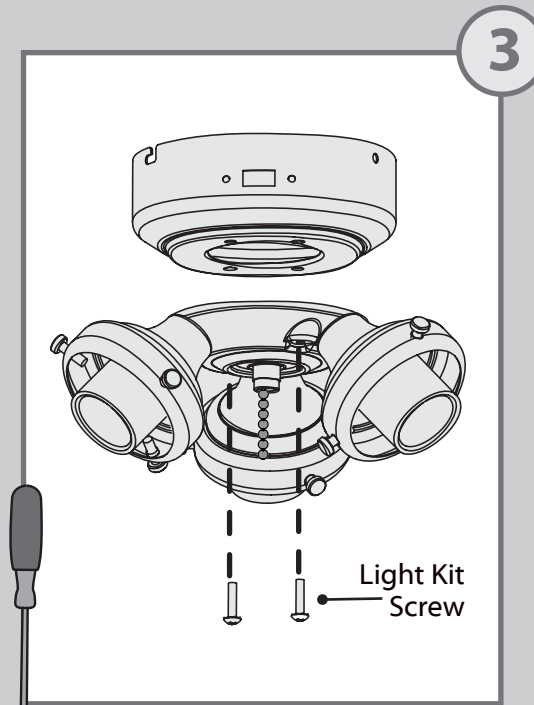


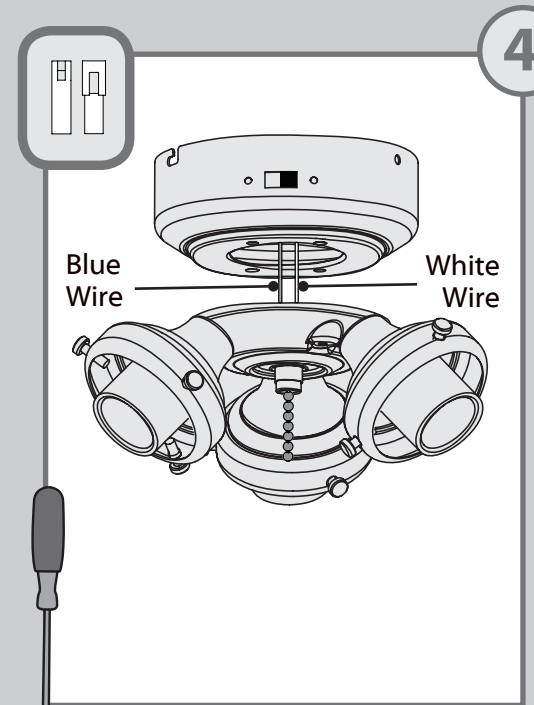
Warning: To avoid possible electrical shock, before installing or servicing your fan, disconnect the power by turning off the circuit breakers to the outlet box associated with the wall switch location.



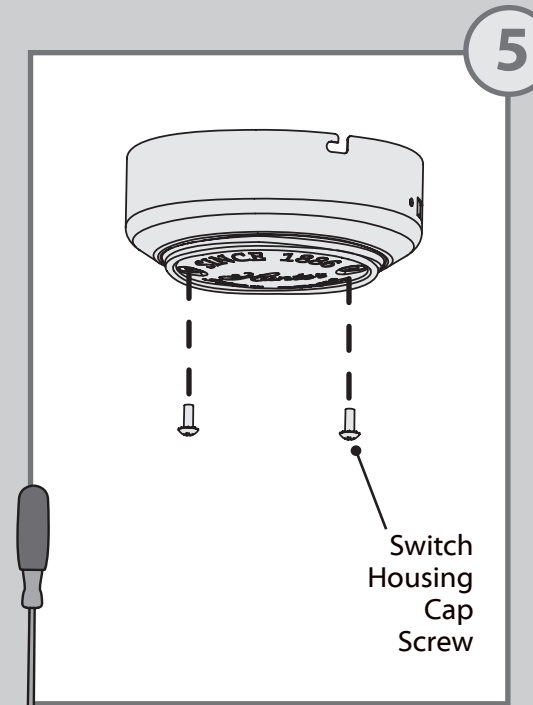
Locate the two light kit screws that attach the light kit to the lower switch housing.



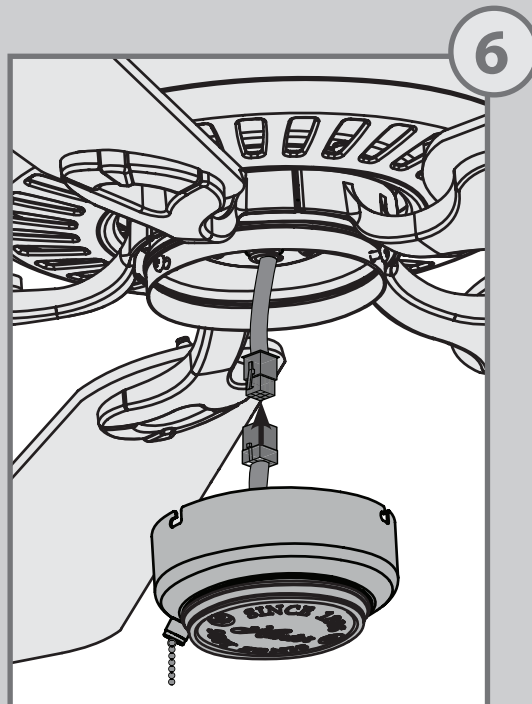
⊗ Using a Phillips head screwdriver, remove the two light kit screws from the light kit which will allow it to be separated from the lower switch housing.



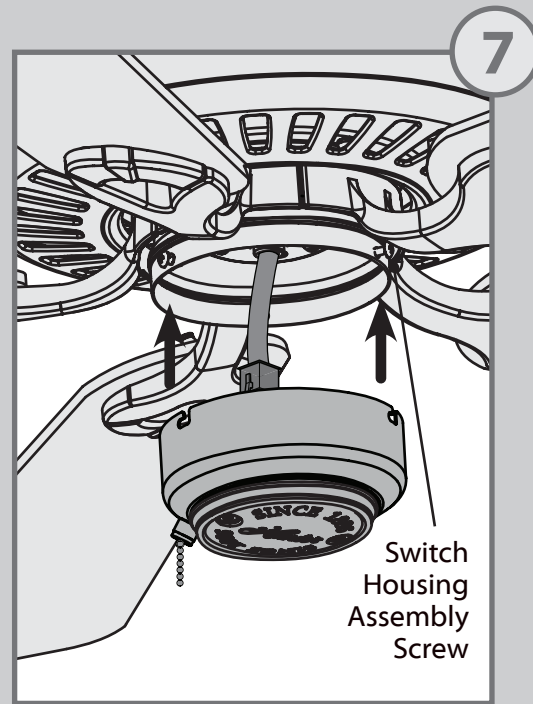
⊗ Disconnect the blue wire in the light kit from the blue wire in the lower switch housing. Disconnect the white wire in the light kit from the white wire in the lower switch housing. Install a dummy terminal to end of each of the two wires in the lower switch housing.



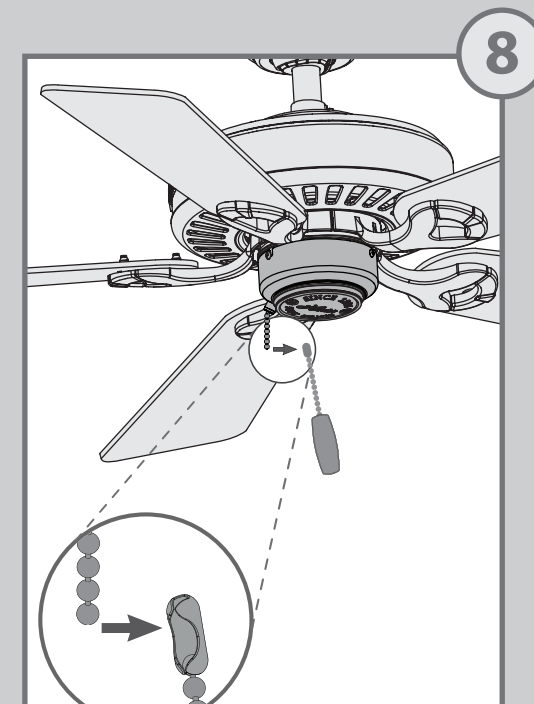
⊗ Using a Phillips Head screwdriver, install the switch housing cap to the lower switch housing using the two switch housing cap screws.



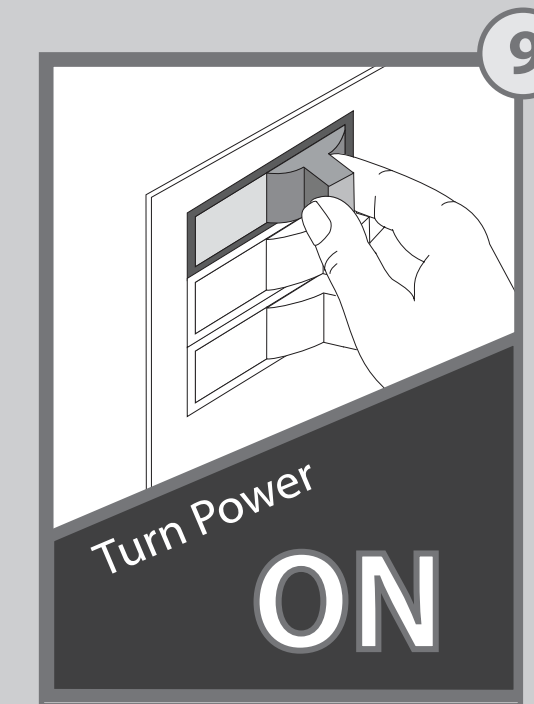
Connect the plugs from the upper and lower switch housings. Make sure to line up the colored markings on the connectors.



Attach the lower switch housing to the upper switch housing using the three switch housing assembly screws. Tighten all three screws. **Note:** Not all switch housings attach in the same manner. Check your owner's manual for details.

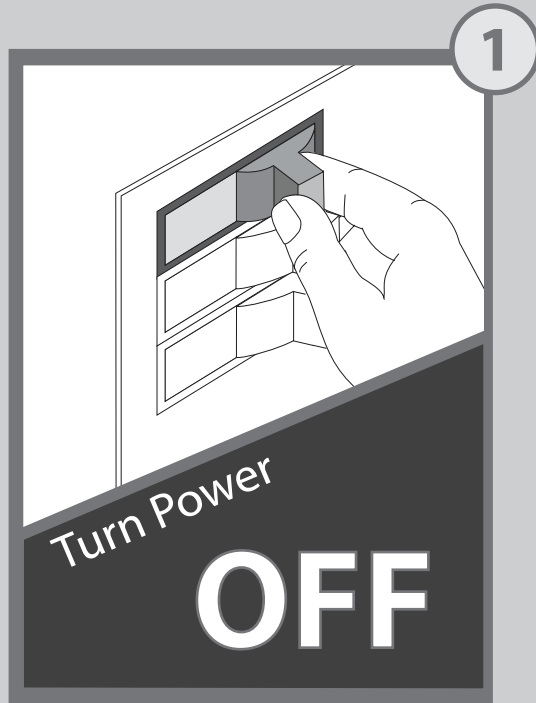


Attach the pull chain pendant to the short chain coming from the lower switch housing.

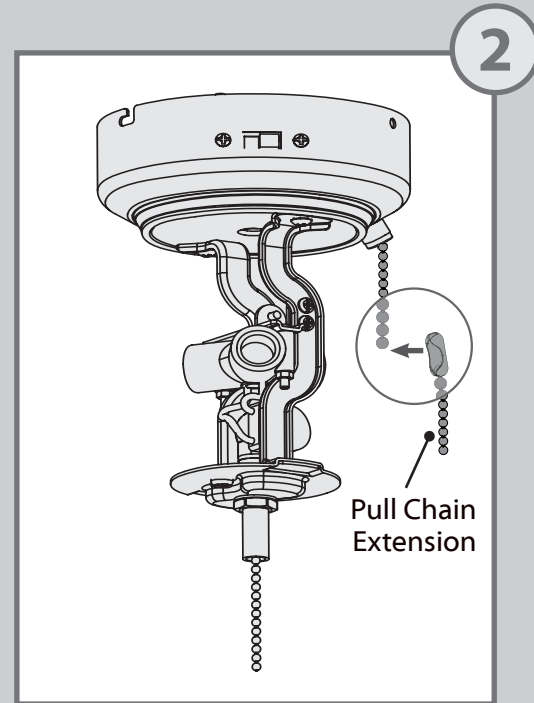


This document is a supplement to the Hunter Installation Manual. Please read and follow the Warnings and Cautions listed in the Hunter Installation Manual that came with your fan.

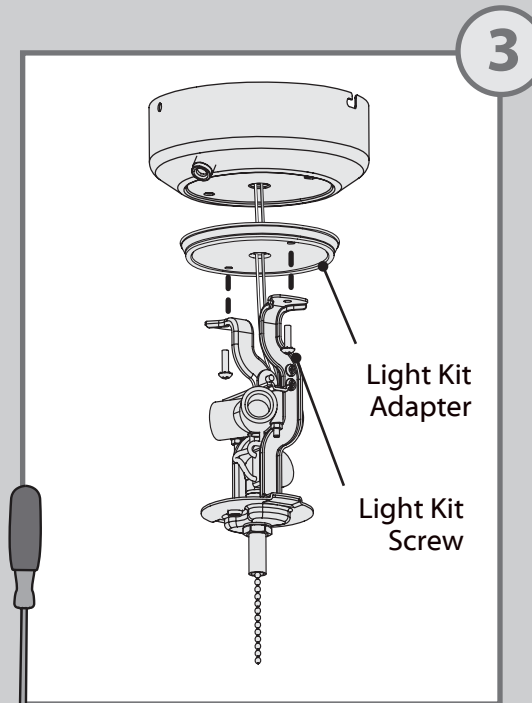




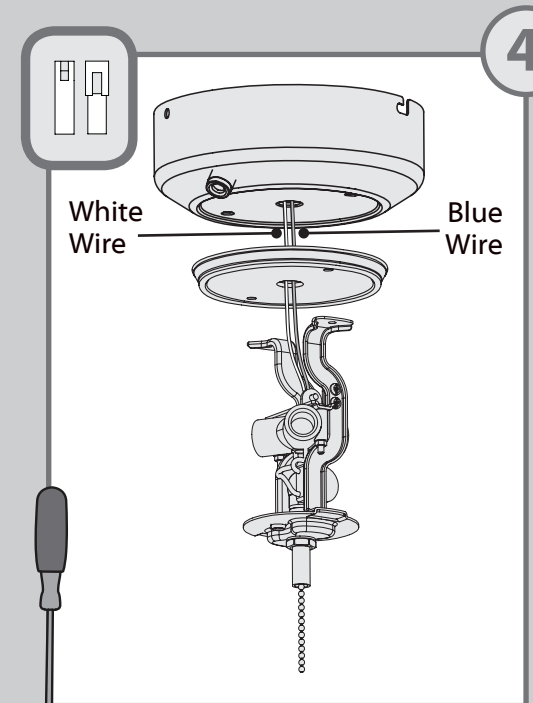
Warning: To avoid possible electrical shock, before installing or servicing your fan, disconnect the power by turning off the circuit breakers to the outlet box associated with the wall switch location.



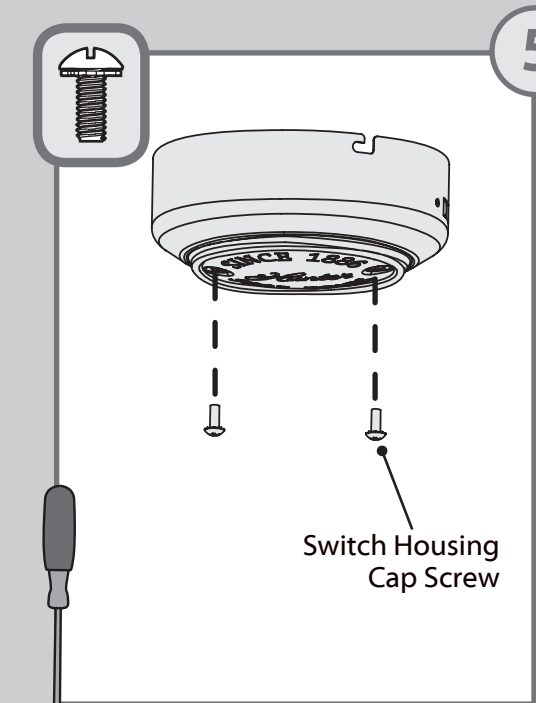
Remove the pull chain extension by disconnecting the breakaway connector.



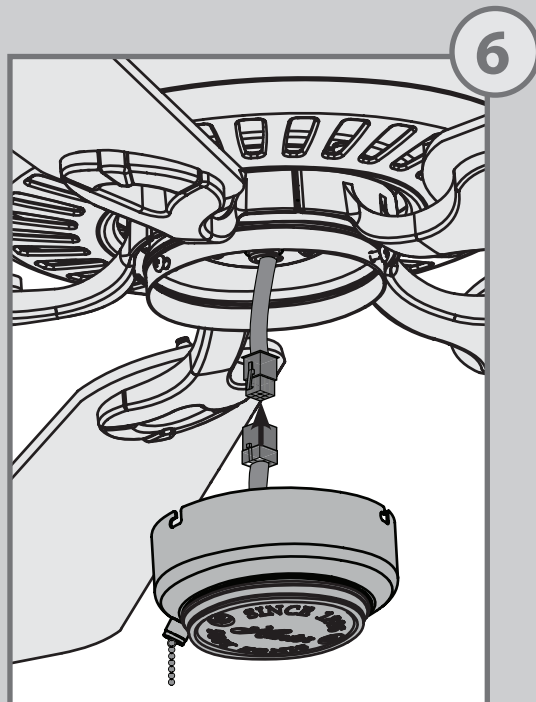
Using a Phillips head screwdriver, remove the two light kit screws from the light kit which will allow it to be separated from the light kit adapter and the lower switch housing.



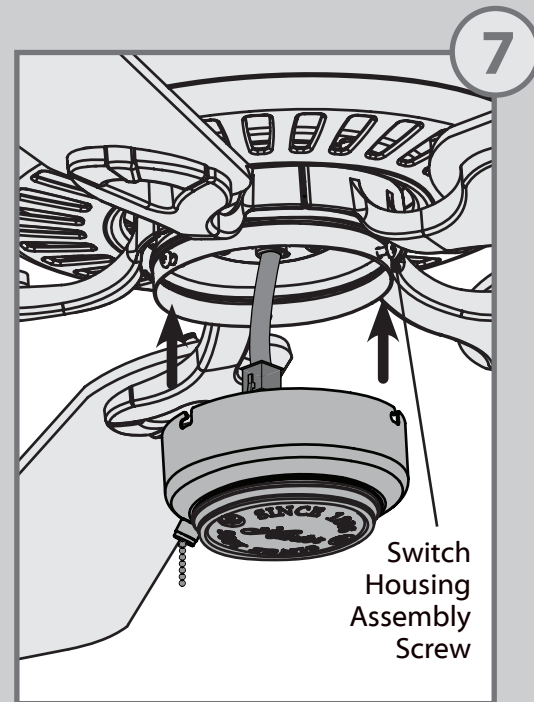
Disconnect the blue wire in the light kit from the blue wire in the lower switch housing. Disconnect the white wire in the light kit from the white wire in the lower switch housing. Install a dummy terminal to end of each of the two wires in the lower switch housing.



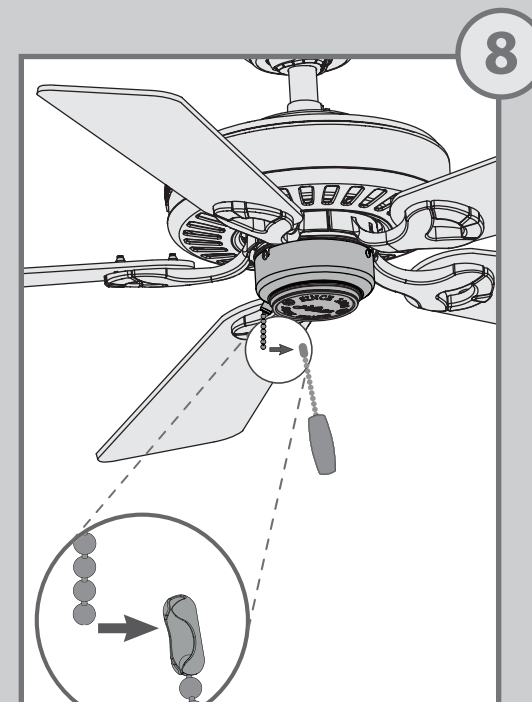
Using a Phillips Head screwdriver, install the switch housing cap to the lower switch housing using the two switch housing cap screws.



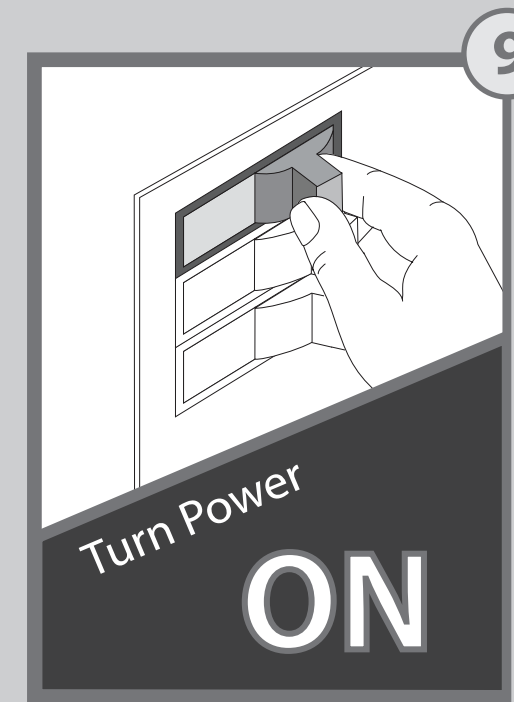
Connect the plugs from the upper and lower switch housings. Make sure to line up the colored markings on the connectors.



Attach the lower switch housing to the upper switch housing using the three switch housing assembly screws. Tighten all three screws. **Note:** Not all switch housings attach in the same manner. Check your owner's manual for details.



Attach the pull chain pendant to the short chain coming from the lower switch housing.



Turn Power ON