



TRAK™ 96 WITH LIGHT

MODELS
76024
76025
76026

POWER & EFFICIENCY

Input Power Options: 120v

Current at Max Speed: 1.16 Amps

Power: 0.13 hp

Maximum Speed: 8 mph

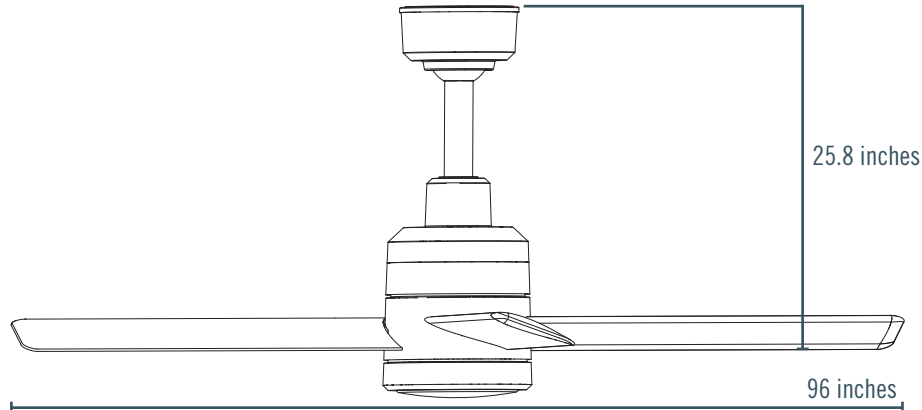
Maximum Affected Area: 32 ft. diameter / 1,024 sq. ft.

Light Kit: 30W LED, 900 Lumens, LM/W 30

DIMENSIONS & WEIGHT

Fan Diameter: 96 inches

Fan Weight: 49 lbs



MOUNTING & SAFETY

Mounting Options: Standard / Angled

Downrod: 11" Down Rod

Safety Features:

INCLUDED IN THE BOX

Included: Wall Control, 11" Down Rod

Optional: Handheld Control

Down Rod Sizes: 24", 36", 48", 60", 72"

WARRANTY & CERTIFICATIONS

Certifications: ETL/Intertek-certified to ANSI/UL 506 and CSA C22.2 No. 113 in North America

Indoor/Outdoor/Wet Rating: IP45

Warranty!: 3-Year Warranty on Parts