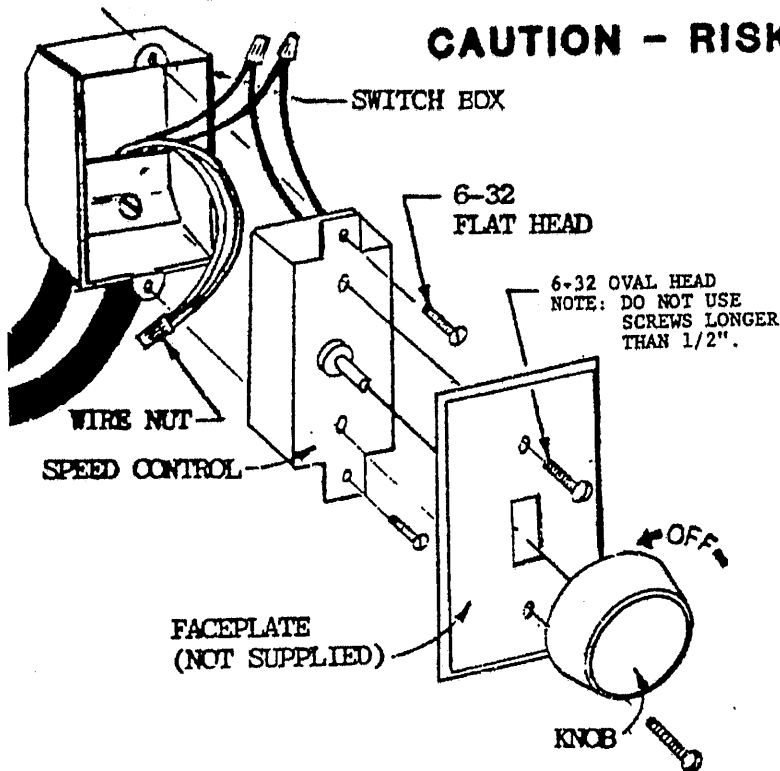


3-SPEED ROTARY SPEED CONTROL MODEL 22691

READ AND SAVE THESE INSTRUCTIONS

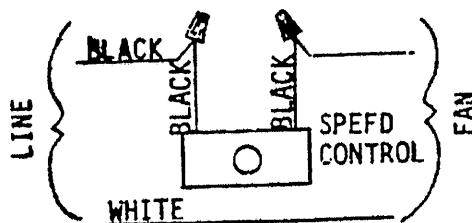
CAUTION: ALL WIRING MUST BE PERFORMED IN ACCORDANCE WITH NATIONAL AND LOCAL ELECTRICAL CODES. WE RECOMMEND INSTALLATION BY A QUALIFIED ELECTRICIAN.

CAUTION - RISK OF ELECTRICAL SHOCK



ASSEMBLY INSTRUCTIONS

1. DISCONNECT POWER TO CEILING FAN AT THE MAIN ELECTRIC PANEL.
2. OPEN WALL SWITCH BOX. IF 4 WIRES ARE SEEN, CONNECT EACH SPEED CONTROL LEAD TO A BLACK WIRE. SEE FIGURE. IF 2 WIRES ARE SEEN, CONNECT EACH TO A SPEED CONTROL LEAD. USE WIRE NUTS SUPPLIED.
3. GENTLY PUSH WIRES AND SPEED CONTROL INTO SWITCH BOX, INSTALL CONTROL TO BOX WITH TWO 6-32 FLAT HEAD SCREWS.
4. MOUNT YOUR FACEPLATE TO CONTROL WITH TWO 6-32 OVAL HEAD SCREWS.
5. PRESS KNOB ONTO CONTROL SHAFT. TURN KNOB TO "OFF" POSITION.
6. RECONNECT POWER TO FAN.



NOTE: IF A LIGHT KIT IS USED, SEPARATE WIRING FOR FAN AND LIGHT IS RECOMMENDED. IF SEPARATE WIRING IS NOT AVAILABLE, THIS CONTROL MAY BE USED WHERE A MOTOR AND LIGHT KIT ARE CONNECTED TOGETHER ONLY IF THEY ARE NOT BEING OPERATED AT THE SAME TIME. TO RUN THE MOTOR AND THE LIGHT KIT AT THE SAME TIME, THE CONTROL MUST BE SET TO THE HIGH POSITION.

FORM 40772

REV 10-84

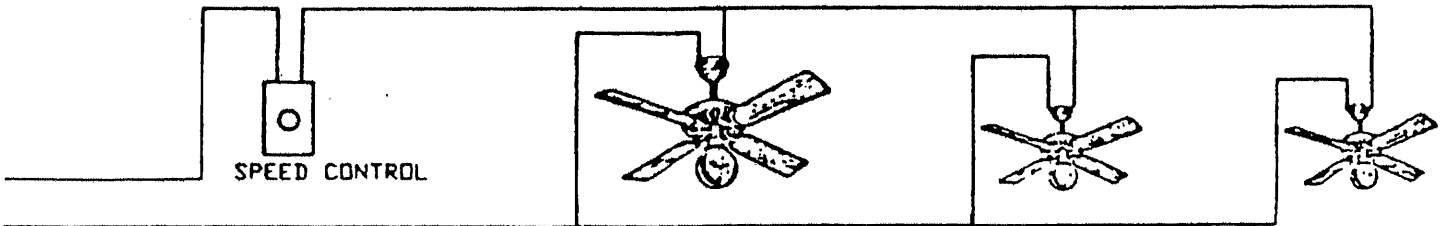
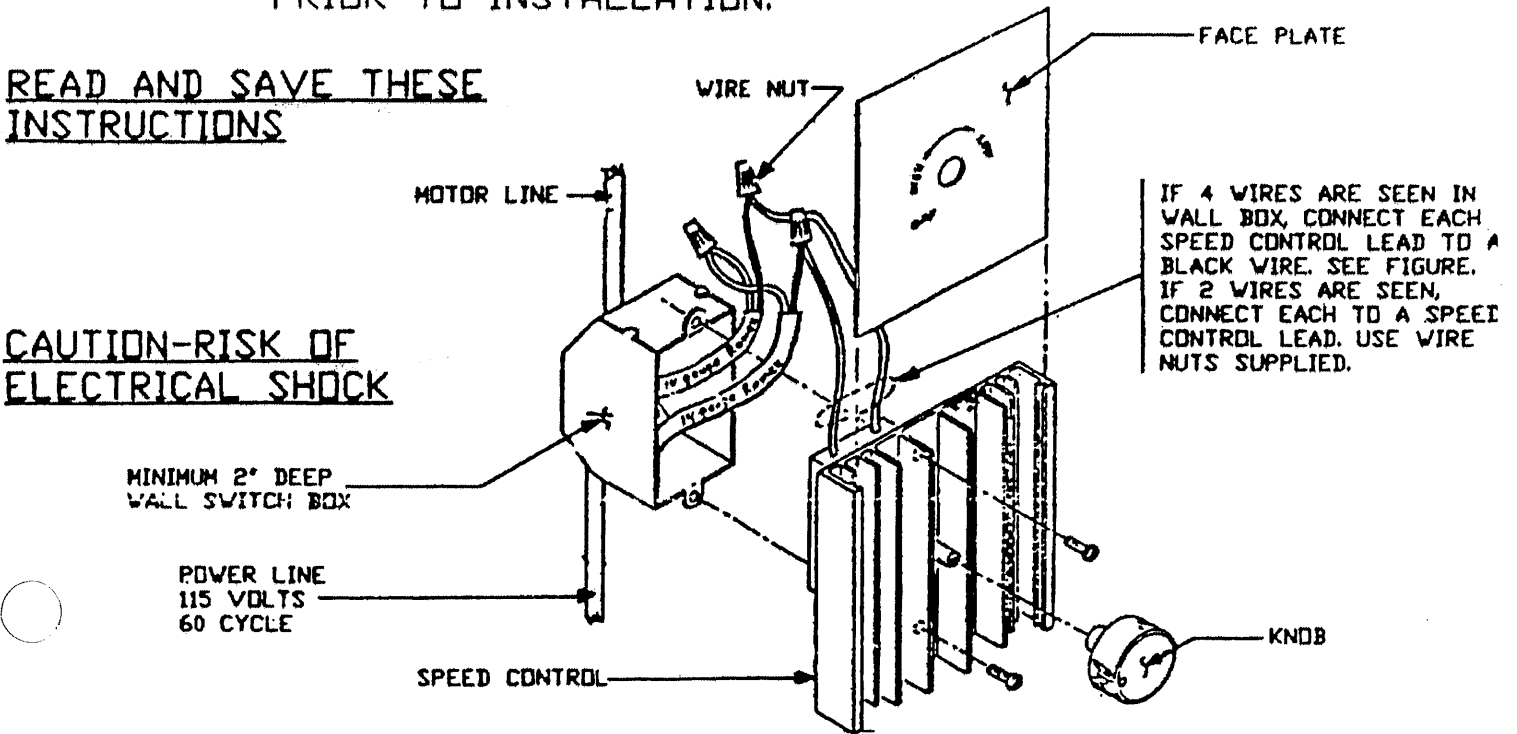
15 AMP SOLID-STATE SPEED CONTROL MODEL 22394

USE WITH AS MANY AS SIX 52" or TEN 42" LISTED HUNTER SUSPENDED CEILING FANS.

CAUTION: ALL WIRING MUST BE PERFORMED IN ACCORDANCE WITH NATIONAL AND LOCAL ELECTRICAL CODES. WE RECOMMEND INSTALLATION BY A QUALIFIED ELECTRICIAN. DISCONNECT POWER TO CEILING FANS AT THE MAIN ELECTRIC PANEL PRIOR TO INSTALLATION.

READ AND SAVE THESE INSTRUCTIONS

CAUTION-RISK OF ELECTRICAL SHOCK



NOTE: USE OF A LIGHT KIT WITH ANY CEILING FAN DECREASES THE MAXIMUM NUMBER OF FANS THAT MAY BE SAFELY USED WITH THIS CONTROL. ADD UP THE TOTAL WATTAGE OF LIGHT BULBS BEING USED, DIVIDE BY 120, AND SUBTRACT THIS RESULTANT LINE CURRENT FROM 15 AMPS. WHATEVER IS LEFT IS THE MAXIMUM CURRENT THAT THE TOTAL NUMBER OF CEILING FANS CAN DRAW. FOR SAFETY, CONSIDER THAT EACH 52" FAN MOTOR DRAWS 1.0 AMPS AND EACH 42" FAN DRAWS 0.6 AMPS OF LINE CURRENT.