



Installation & Programming Manual

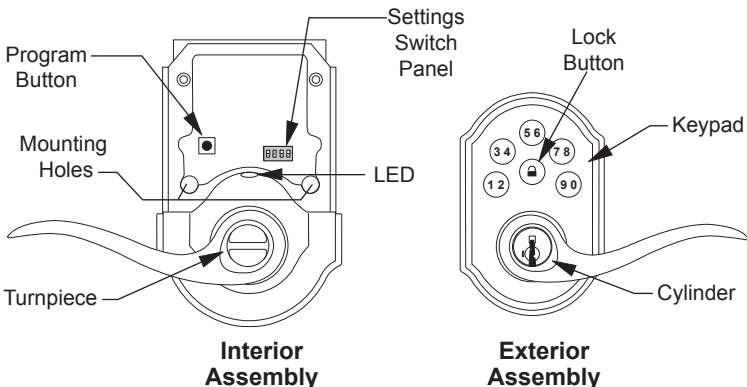
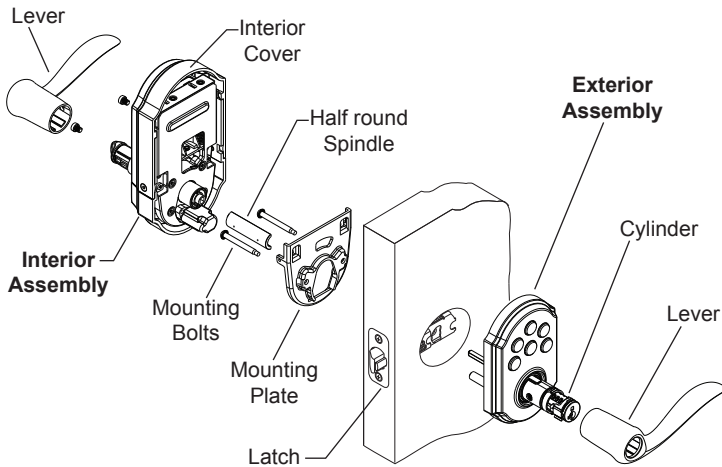
Getting Started

- Prepare door, per additional instructions (included) before installing unit.
- **IMPORTANT:** Read instructions completely before beginning installation.
- Refer to “Quick Reference” area and illustrations to identify components.

Use the checklist below to assure completion of important steps.

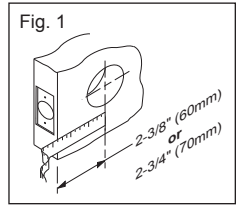
- ATTACH CONNECTOR** Section 6
- PROGRAM CODE(S)** Section 10 a, b, c
- VERIFY OPERATION** Section 10 d

Quick Reference

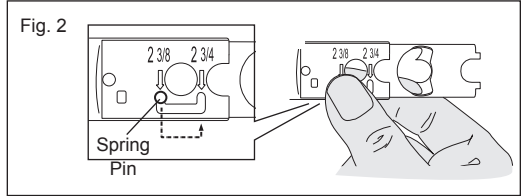


1. Install latch and Strike.

a. Determine your backset, see figure 1.



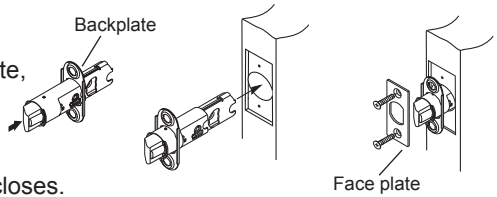
b. If backset measured 2-3/4" (70mm), adjust latch as follows: Using fingers, grasp the spring pin and move it down and over to the 2-3/4" (70mm) slot. (See figure 2).



c. Prepare latch.

For a latch with face plate:

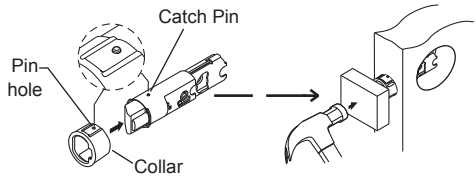
(1) Insert latch into backplate,
(2) Insert latch and backplate into door with the slant of bolt facing in the direction that the door closes.



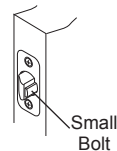
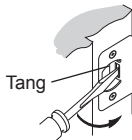
(3) Place desired face plate over backplate and fasten with two small screws.

For a drive in latch:

Align collar opening with shape of bolt and slide it on until the catch pins of latch snap into the pin holes of collar. Install latch with the slant of bolt facing in the direction that the door closes. Use wood block to install latch. Note, should collar require removal, squeeze collar hard at sides and remove.



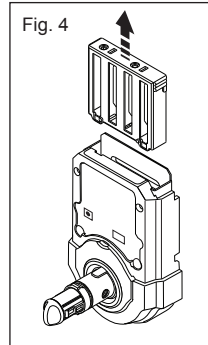
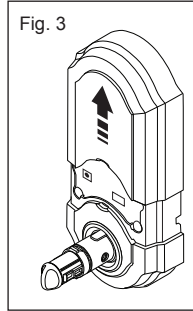
d. Install strike plate onto door jamb using two small screws. Minor loose door fit may be reduced by adjusting tang. Note, the lock will not lock properly if the smaller bolt of latch enters the strike hole. Reposition strike plate if required.



2. Remove cover and battery case.

a. Remove cover from assembly by sliding cover up and off, see figure. 3

b. Remove the battery case from interior assembly by lifting the case up and out and set aside, see figure 4.

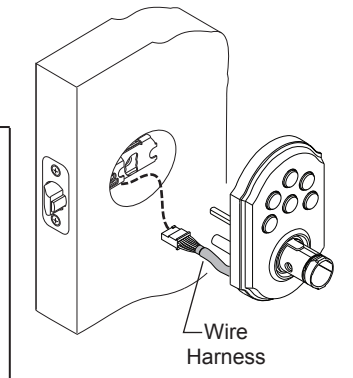


Important before proceeding:

1. Verify that position #2 of the "Settings Switch" is in the **OFF** position. (Refer to section 11.)
2. Work with the door open (away from jamb) to avoid accidental lock out.

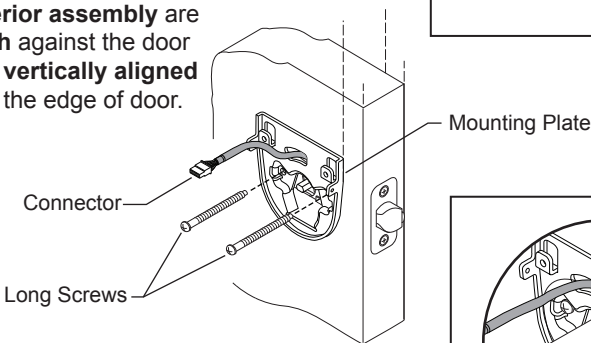
3. Install Exterior Assembly.

Place the exterior assembly flush onto door, threading the wire harness under the latch.



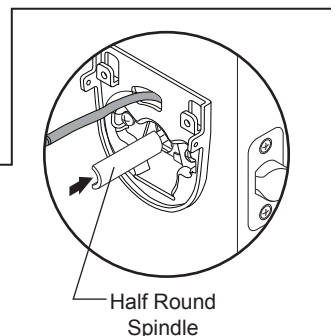
4. Install Interior Mounting plate.

Route the connector of the wire harness through the slot at top of mounting plate. Insert the long screws to engage exterior assembly. Tighten screws to secure - making sure that both the **plate** and the **exterior assembly** are **flush** against the door **and vertically aligned** with the edge of door.



5. Install the half round spindle.

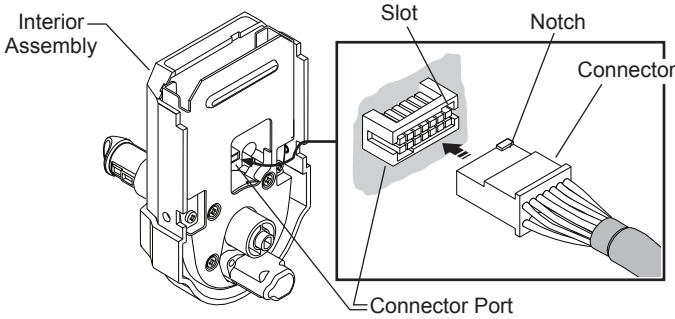
Insert the half round spindle through the latch fully - to engage with the exterior assembly.



6. Attach the Connector to the Interior Assembly.

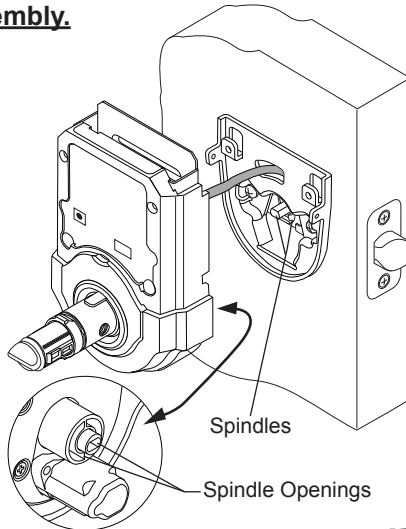
Important Note: To prevent damage, always handle the wire harness at the connector (do not pull wires).

- a. Align the connector with the connector port of the interior assembly, matching notch to slot.
- b. Once aligned, push the connector in firmly to connect.



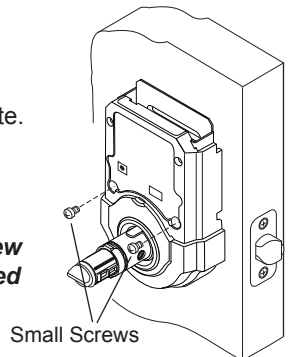
7. Install Interior Assembly.

- a. Tucking any excess wire back into slot of mounting plate, place the interior assembly on door, aligning the spindles with the spindle slots of interior assembly.



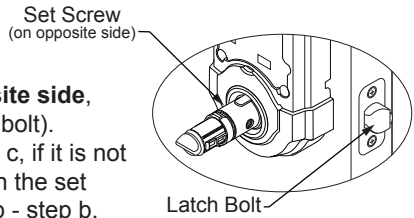
- b. Once flush on door, insert and tighten small screws to secure assembly onto the mounting plate.

Note: To aid insertion of screws, approach the screw holes with the screw loaded onto the screwdriver.

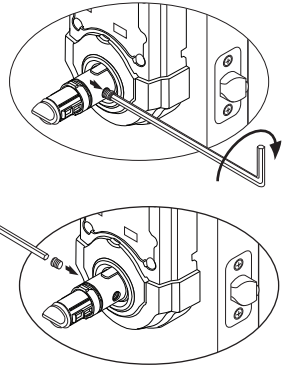


8. Mount the levers.

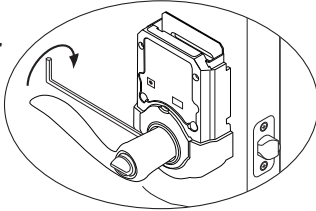
a Check both the interior and the exterior assemblies, to make sure the set screw is located on the **opposite side**, (the side furthest away from the latch bolt). If correctly positioned proceed to step c, if it is not on the proper side, remove and switch the set screw as directed in the following step - step b.



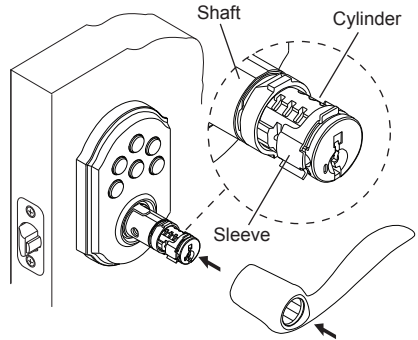
b. Using tool provided, remove set screw by unscrewing it in a clockwise direction (this is the reverse direction of what might feel normal). Reposition set screw to the other side and screw it in fully, using a counterclockwise direction (again this is the reverse of the normal direction).



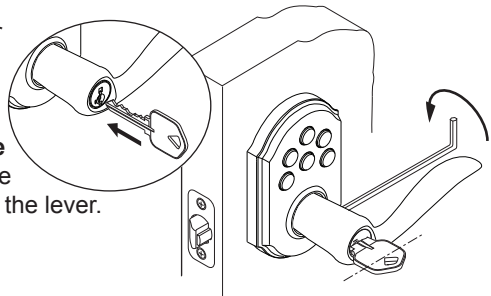
c. Install **interior** lever and tighten set screw clockwise.



d. To install **exterior** lever, first remove the key from cylinder and insert the cylinder into the lever shaft, making sure the sleeve of cylinder is positioned near keyway. *Note that the cylinder will **not seat back fully at this time**.* Slide the lever on smoothly, aligning ribs inside the lever with the lever shaft (lever will not seat all the way until completing step e).



e. Insert the **key** into cylinder and **rotate it clockwise** to the horizontal position, then press lever to **seat** into assembly. With key **still in the horizontal** position, tighten the set screw clockwise to secure the lever.

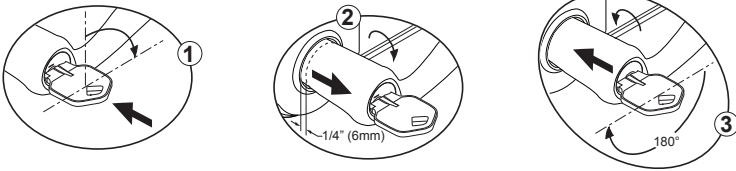


Continued ►►

8. Continued.....

f. Test the locking and unlocking function.

If you cannot lock the unit from the exterior or cannot rotate the interior turn-piece, proceed with the following steps to remedy the situation. **1. Insert the key and rotate clockwise to the horizontal position.** **2. Loosen the set screw and pull the lever away from the unit, about 1/4".** **3. Rotate the key 180° clockwise.** With the key remaining in the horizontal position, push the lever back to seat and tighten the set screw. **4. Test the locking and unlocking function and repeat these steps if required.**



LEVER NOTES

Action of exterior lever: When the unit is in the locked position the exterior lever is still allowed to turn, but it will **not** retract the latch. When the unit is in the unlocked position, the exterior lever will turn firmly, retracting the latch for entry.

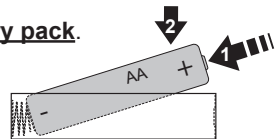
Important note should you need to remove the exterior lever: 1. insert key into exterior lever and rotate clockwise to a horizontal (unlocked) position.
2. Loosen set screw and pull the lever, cylinder and key - away from keypad assembly.

⚠ Important note: This product has a panic free interior, which will allow interior lever to always retract the latch and allow exit. Caution: if you exit and plan re-entry without a key or code, make sure the turnbutton on the interior lever is in the unlocked (horizontal) position before exiting.

9. Install batteries

a. Install 4 new AA Alkaline batteries into battery pack.

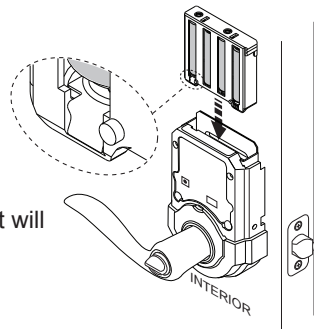
Install the new batteries as indicated in illustration. Make sure batteries lie flat in holder. **For best performance, rechargeable batteries are not recommended.**



⚠ Alkaline Battery WARNING:

Do not dispose of in fire, recharge, put in backwards, disassemble, mix with used or other battery types. May explode or leak and cause personal injury.

b. Install battery pack into unit as shown. Unit will beep and the LED will flash green.

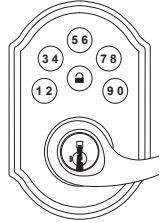


10. Programming a User Code.

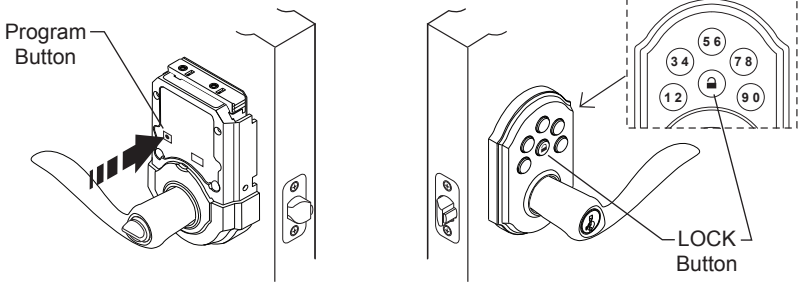
How the keypad works:

Each button represents two numbers (i.e. 1 and 2 for the first button). You only need to push the button once to get either 1 or 2. For example: If your code is 1-2-5-6-8,

- Press the (12) button once to get number 1.
- Press the (12) button once to get number 2.
- Then press the (56) button once to get number 5.
- Then press the (56) button once to get number 6.
- Finally press the (78) button once to get number 8.



- A programmed code can be from four (4) to eight (8) digits long.
- For maximum security an 8 digit code is recommended.
- Up to 4 user codes can be entered.
- Excess delay in the programming steps once started will cause unit to beep twice and will require you to restart from step (10a).



Programming the 1st user code.

- a. Press the **program button** on the interior unit **once**.
- b. Enter in 4 to 8 digit **code** onto the keypad.
- c. Press the “**LOCK**” button to save code.
- d. Press the “**LOCK**” button and re-enter the code to test. Unit should go to the unlocked position allowing exterior lever to retract the latch. If it does not go to the unlock position, repeat steps (a) through (c).

Note: Programming instructions can also be found on interior of lock.

Programming the 2nd user code.

- a. Press the **program button** on the interior unit **twice**.
- b. Enter in 4 to 8 digit **code** onto the keypad.
- c. Press the “**LOCK**” button to save code.
- d. Press the “**LOCK**” button and re-enter the code to test. Unit should go to the unlocked position allowing exterior lever to retract the latch. If it does not go to the unlock position, repeat steps (a) through (c).

Continued »

10. Continued.....

Programming the 3rd user code.

- Press the **program button** on the interior unit **three times**.
- Enter in 4 to 8 digit **code** onto the keypad.
- Press the **"LOCK"** button to save code.
- Press the **"LOCK"** button and re-enter the code to test. Unit should go to the unlocked position allowing exterior lever to retract the latch. If it does not go to the unlock position, repeat steps (a) through (c).


Programming the 4th user code.

- Press the **program button** on the interior unit **four times**.
- Enter in 4 to 8 digit **code** onto the keypad.
- Press the **"LOCK"** button to save code.
- Press the **"LOCK"** button and re-enter the code to test. Unit should go to the unlocked position allowing exterior lever to retract the latch. If it does not go to the unlock position, repeat steps (a) through (c).





CAUTION: Prevent unauthorized entry. This lock can be opened using four different codes that are randomly set at the factory. Upon installation and set-up, replace **all** of these codes with your own. Since anyone with access to the power board can change these codes, you must restrict access to the power board and routinely check both codes to assure they have not been altered without your knowledge.

11. SmartCode User Selectable Settings.

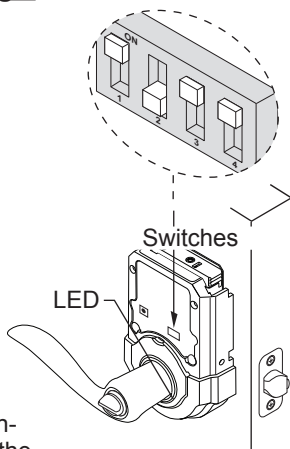
Switch #1  Status LED blinks every 5 seconds when in the ON position. **Note:** *The low battery RED LED cannot be disabled.*

Switch Position	LED Color	Lock Status
ON	Green	Unlocked
	Orange	Locked
	Red	Low Battery
OFF	Red	Low Battery

Switch #2  Enables the AUTO LOCK when in the ON position. With Auto Lock enabled, SmartCode will automatically relock the door 30 seconds after unlocking.

Switch #3  Enables the AUDIO sound (Beeper) when in the ON position. Keypad will now light red/green when buttons are pressed.

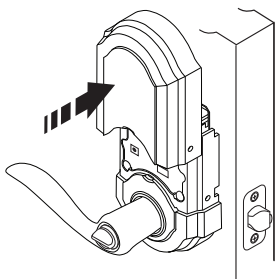
Switch #4  Extra switch with NO FUNCTION.



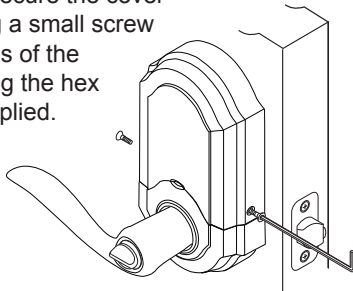
Hint: for easier access, use a ball point pen to operate the switches.

12. Install Cover.

a. Once you have completed setup and programming, you can install the cover. Position cover over unit and press it onto top portion of unit. Once it is flush against the door, slide it down into place.



b. Optional : To avoid tampering you may choose to secure the cover by installing a small screw to both sides of the cover - using the hex wrench supplied.



13. Low Battery Indicators.

1. The interior LED

- Regardless of switch #1 position, under “Low Battery” condition - red LED will flash every 5 seconds.

2. The exterior Keypad (when switch #3 is OFF).

- After a correct code is entered, the keypad will flash red multiple times for approximately 3 seconds.

3. The Audio Indicator (when switch #3 is in the ON position).

- After a correct code is entered the unit beeps multiple times for approximately 3 seconds.

Note: For future battery replacement, remove battery pack, replace batteries (see section 9) and simply reinsert battery pack as shown, a beep and a Green LED flash will indicate a success.

14. Keypad Lights.

a. Keypad Back Light

- When the door is in the locked position, press the lock button to light up the keypad. In a “very low battery” condition the keypad will not light up.

b. Keypad light signals

- Switch 3 off – the keypad will flash red every time you press a button.
- Low Battery Warning – After a correct code is entered, the keypad will flash red multiple times for approximately 3 seconds.
- Incorrect Codes Entered – when three incorrect codes are entered into the SmartCode the keypad will flash red and the beeper will sound for 15 seconds. The keypad will not allow input for 60 seconds after which you can re-enter a code and try again.

15. Frequently asked Questions (FAQs).

Q: How long will the Smart Code operate on a set of batteries?

A: Based on 15 operations per day, a single set of Alkaline batteries will operate the SmartCode for over 2 years.

Q: What type of batteries do you recommend?

A: For best results, use new non-rechargeable Alkaline batteries only.

Q: I just installed a Smart Code on my door but it does not operate correctly

A: Make sure you have installed the cylinder properly, review step 8.

Q: I removed the battery pack momentarily and my lock does not work any more.

A: The system did not initialize properly due to remaining charge. To correct perform the following:

- a. Remove battery pack
- b. Press "Program" button three times
- c. Wait 10 seconds.
- d. Insert battery pack.
- e. The system should flash the Green LED and beep, indicating proper initialization
- f. Repeat a-d if initialization failed

Q: I am planning to be away for several months; will my lock operate when I get back?

A: When the system is idling, it consumes minimum power (very close to battery shelf life.) With alkaline batteries, the lock should be operable after years of idle. See also Questions and Answers below.

Q: What settings should I use to get the maximum battery life out of my lock?

A: Set "Status LED" (SW1) and "Auto-lock" (SW2) to the off position.



WARNING: This Manufacturer advises that no lock can provide complete security by itself. This lock may be defeated by forcible or technical means, or evaded by entry elsewhere on the property. No lock can substitute for caution, awareness of your environment, and common sense. Builder's hardware is available in multiple performance grades to suit the application. In order to enhance security and reduce risk, you should consult a qualified locksmith or other security professional.

For assistance or warranty information:

For **Kwikset** product, call
1-800-327-5625 for USA & CANADA
or visit, www.kwikset.com

For **Weiser** product, call
1-800-677-5625 USA, 1-800-501-9471 CANADA
or visit, www.weiserlock.com

This product is covered by one or more of the following patents or patents pending: 5123683 5317889 5335525 5335950 5441318 5452928 5482335 5490700 5496082 5513509 5513510 5529351 5540070 5570912 5662365 5761937 5810402 5816629 5857365 6058746 6128933 6151934 6398465 6401932 6412319 6443504 6532629 6536812 6568727 6598440 6662606 6695365 6702340 6745602 6828519 6860131 6860529 6862909 6871520 6880871 6948748 6951123 6959569 6971513 6973813 7007528 7100408 7104098 7114357 7117701 7152891 7156432 7162901 7213429 7234331 7308811 RE38693 D344011 D347564 D348602 D348821 D352888 D361488 D361489 D361706 D363872 D373063 D373523 D400777 D407292 D431443 D435423 D436933 D437216 D437771 D443194 D443808 D446122 D447927 D452131 D453897 D453898 D453899 D454049 D458839 D461700 D463968 D464565 D464877 D465989 D468636 D472794 D473780 D514921 D524630 D525512 D525516 D540140 D540147 D541621 D542115 D545169 D547830