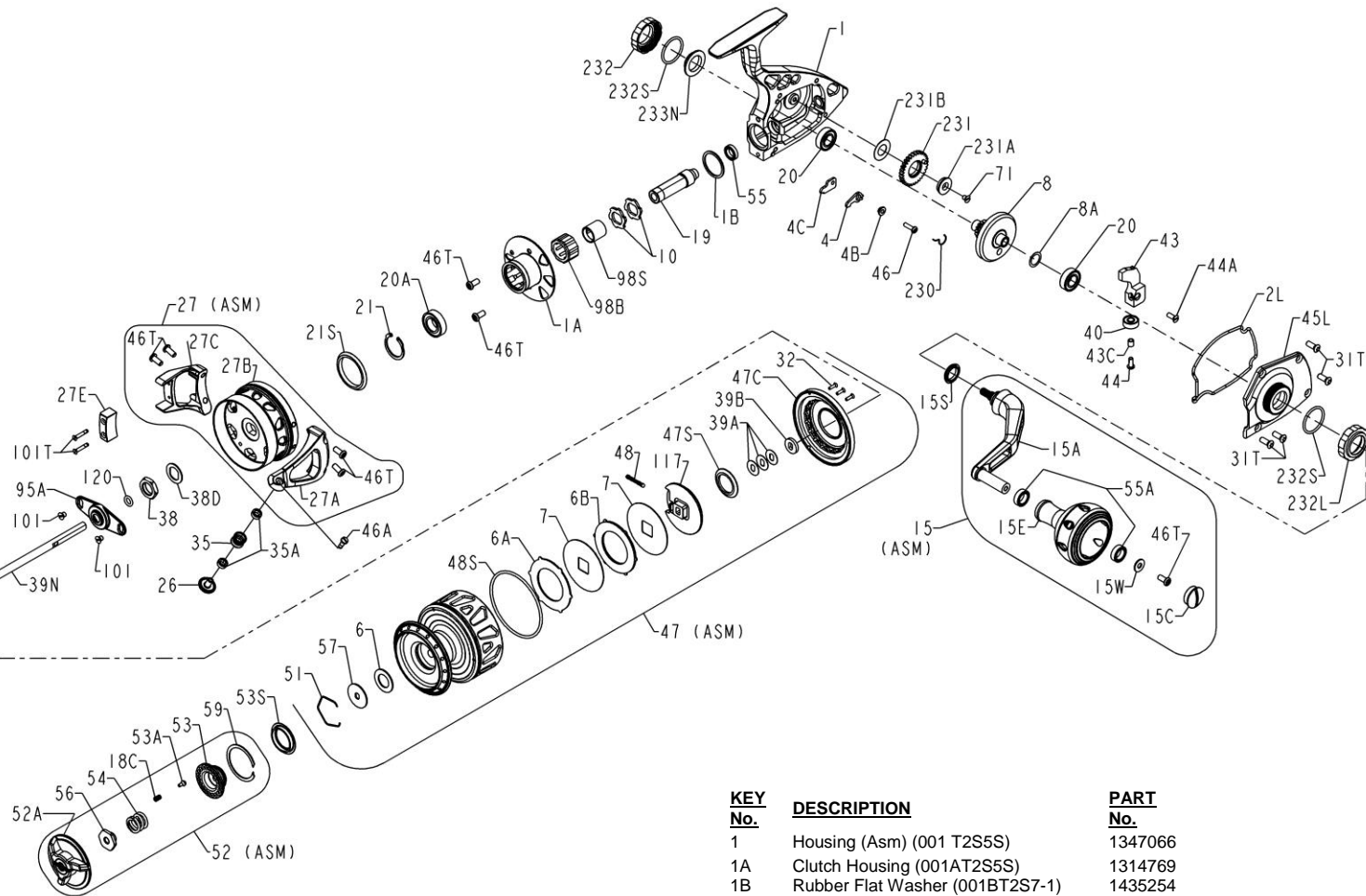




# TRQII5500BLS-S Bail-less Rotor 1339434



KEY No.	DESCRIPTION	PART No.
20	Bearing (020 722) (2 req)	1181792
20A	Bearing (020 TS7)	1191260
21	Ring- Retaining (021 TS7)	1192641
21S	Seal (021STS7)	1191276
26	Roller Stud (026 T2S5MS)	1416408
27	Rotor Assembly (027 T2S5MS)	1410948
27A	Line Roller Arm (027AT2S5MS)	1410970
27B	Rotor Cup (027BT2S5S)	1314780
27C	Balance Weight Arm (027CT2S5MS)	1410972
27E	Balance Weight (027ETS5M)	1225786
31T	Screw (031TT2S7) (4 req)	1314745
32	Screw (032 T2S5) (3 req)	1455334
35	Line Roller (035 TS5)	1200382
35A	Bearing (035ATS5) (2 req)	1200383
38	Nut- Rotor (038 9500)	1183160
38D	Washer- Rotor (038DSSV7500)	1277168
39A	Shim (039AT2S5) (as needed)	1314788
39B	Washer- Double D (039BT2S5)	1314789
39N	Spool Shaft (039NT2S5)	1323457
40	Bearing (040 320)	1183280
43	Crosswind Block (043 TS5)	1200386
43C	Bushing (043CTS5)	1202296
44	Screw (044 TS5)	1202297
44A	Screw (044 TS7)	1225769
45L	Left Side Plate Asm (045LT2S5S)	1314791
46	Screw (046 4300)	1183567
46A	Screw (046 TS5M)	1225782
46T	Screw (046TTS7) (7 req)	1191914
47	Spool Assembly (047 T2S5S)	1420136
47C	Drag Cover (047CT2S5)	1314795
47S	Plate Seal (047SSSV5500)	1277082
48	Click Tongue Asm (048 5600)	1183710
48S	O-Ring (048STS5)	1211090
51	Retainer- Pentagon Wire (051 T2S5)	1424679
52	Drag Knob Assembly (052 T2S5S)	1314796
52A	Drag Knob (052 T2S5-1S)	1337167
53	Drag Knob Insert (053 T2S5)	1318909
53A	Pin- Drag Knob Click (053A5600)	1183846
53S	Drag Knob Seal (053SSSV7500)	1293253
54	Spring- Compression (054 704)	1192020
55	Bearing (055 TS5)	1200399
55A	Bearing (055 TS7) (2 req)	1192029
56	Drag Nut (056 T2S5)	1338995
57	Drag Washer Keyed (057 5600)	1183934
59	Ring- Retaining (059 TS7)	1233962
71	Screw (071 TS7)	1200354
95A	Rotor Nut Cover (095AT2S7)	1314758
98B	Bearing- Clutch (098B750M)	1200401
98S	Sleeve- Clutch (098STRQ40)	1230425
101	Screw (101 050S) (2 req)	1184404
101T	Screw (101 TS5M) (2 req)	1225783
117	Drive Plate (117 T2S5)	1314798
120	O-Ring (120 910)	1184526
230	Spring- Friction Dog (230 T2S5)	1314801
231	Gear Crosswind (231 TS5)	1200407
231A	Bushing- Crosswind Shaft (231ATS7)	1192741
231B	Washer (231BTS7)	1192742
232	Cover Bearing Open (232 TS7S)	1235634
232L	Cover Bearing Open LH (232LTS7S)	1390209
232S	O-Ring (232ST2S7)(2 req)	1314763
233N	Cap-Bearing (233NTS7S)	1234373

KEY No.	DESCRIPTION	PART No.
1	Housing (Asm) (001 T2S5S)	1347066
1A	Clutch Housing (001AT2S5S)	1314769
1B	Rubber Flat Washer (001BT2S7-1)	1435254
2L	Side Plate Seal (002LT2S5)	1314771
4	Back-Up Dog (004 T2S7)	1314722
4B	Back-Up Dog Bushing (004BT2S7)	1314723
4C	Back-Up Dog Plate (004CT2S7)	1314724
6	Washer- Drag (006 T2S5)	1424678
6A	Drag Washer 1-Sided (006 T2S5-1)	1415386
6B	Drag Washer 2-Sided (006 T2S5-2)	1415387
7	Keyed Drag Washer (007 TS5)(2 req)	1210096
8	Gear Asm (008 T2S5)	1314772
8A	Shim 002" (008ATS5-2) (as needed)	1229045
8A	Shim 004" (008ATS5-4) (as needed)	1229046
8A	Shim 008" (008ATS5-8) (as needed)	1229047
10	Back-Up Ratchet (010 T2S7)(2 req)	1314727
15	Handle Assembly (015 T2S5S)	1314774
15A	Handle Arm (015AT2S5-1S)	1410944
15C	Handle Cap Screw(015CT2S7S)	1323528
15E	Handle Knob(015ET2S7S)	1318905
15S	Handle Seal (015STS7)	1200419
15W	Washer- Flat (015WT2S7)	1347059
18C	Spring- Compression (018C015KG)	1181632
19	Pinion (019 T2S5)	1314776