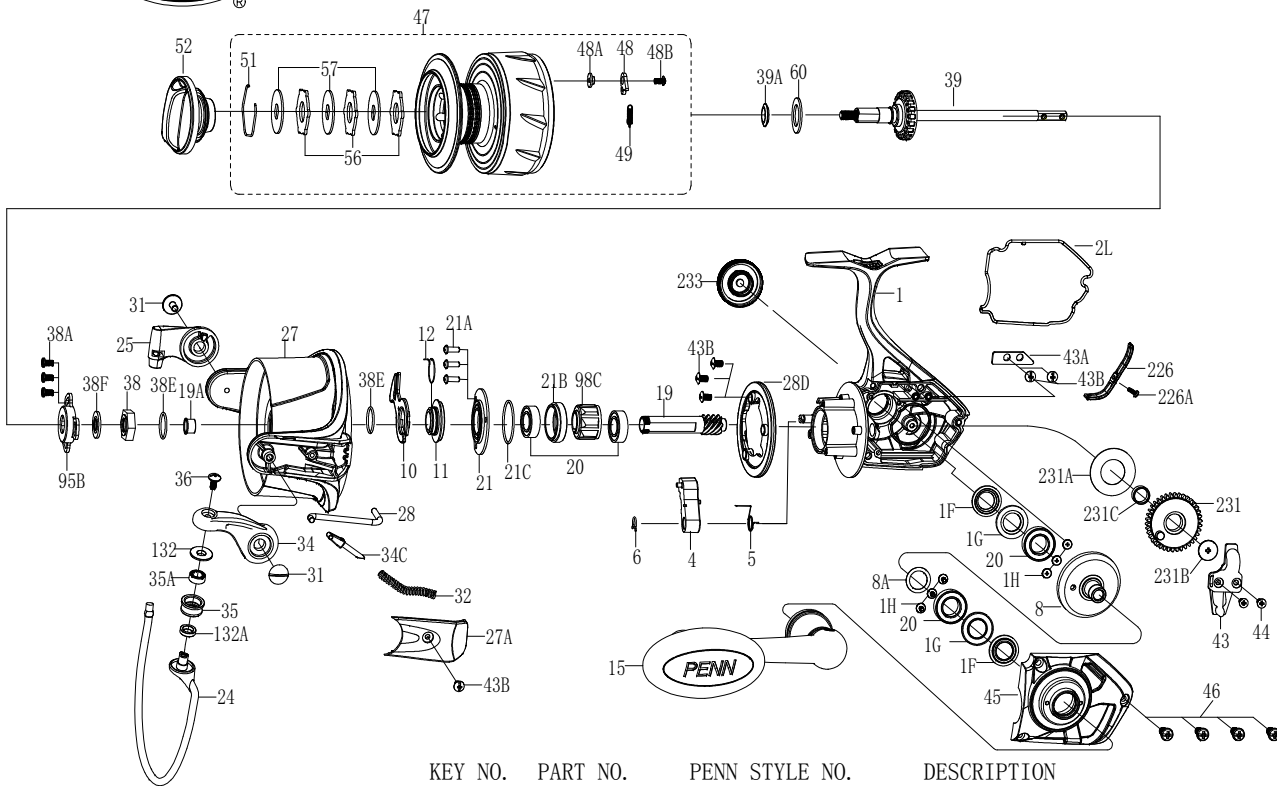




PARTS LIST FOR MODEL SSVI8500



KEY NO.	PART NO.	PENN STYLE NO.	DESCRIPTION	KEY NO.	PART NO.	PENN STYLE NO.	DESCRIPTION
1	1489341	1-SSVI8500	Housing Assembly	24	1489342	24-SSVI8500	Bail Wire
1F	1489289	1F-SSVI7500	Main Gear Seal Ring(2 req)	25	1489305	25-SSVI7500	Bail Holder
1G	1489288	1G-SSVI7500	Seal Plate(2 req)	27	1489343	27-SSVI8500	Rotor
1H	1489176	1H-SSVI3500	Bearing Screw (6 req)	27A	1489462	27A-SSVI8500	Bail Pivot Cover
2L	1489290	2L-SSVI7500	Housing Seal Ring	28	1489344	28-SSVI8500	Trip Lever
4	1489291	4-SSVI7500	A/R Pawl	28D	1489309	28D-SSVI7500	Rotor Brake
5	1489292	5-SSVI7500	Pawl Spring	31	1489310	31-SSVI7500	Bail Arm Screw (2 req)
6	1190979	6-5000SG	Retaining Clip	32	1489311	32-SSVI7500	Bail Spring
8	1489293	8-SSVI7500	Main Gear	34	1489312	34-SSVI7500	Bail Arm
8A	1216652	8A-7000FRC	Shim	34C	1489313	34C-SSVI7500	Pivot Arm
10	1489294	10-SSVI7500	A/R Holder	35	1489461	35-SSVI8500	Line Roller
11	1489295	11-SSVI7500	Bushing	35A	1242222	35A-5000BTL	Line Roller Bearing
12	1489296	12-SSVI7500	Bushing Spring	36	1191699	36-3000SG	Bail Stud Screw
15	1489297	15-SSVI7500	Handle Assembly	38	1489315	38-SSVI7500	Rotor Nut
19	1489298	19-SSVI7500	Pinion Gear	38A	1489316	38A-SSVI7500	Rotor Nut Screw(3 req)
19A	1489299	19A-SSVI7500	Pinion Bushing	38E	1489317	38E-SSVI7500	Rotor O-Ring(2 req)
20	1489300	20-SSVI7500	Ball Bearing (4 req)	38F	1489318	38F-SSVI7500	Main Shaft Seal Ring
21	1489301	21-SSVI7500	Bearing Retainer	39	1489319	39-SSVI7500	Main Shaft Assembly
21A	1192645	21A-5000SG	Bearing Retainer Screw (3 req)	39A	1489321	39B-SSVI7500	Spool Seal
21B	1489302	21B-SSVI7500	Collar	43	1489322	43-SSVI7500	Crosswind Block
21C	1489303	21C-SSVI7500	Bearing Retainer O-Ring	43A	1489323	43A-SSVI7500	Crosswind Block Plate
				43B	1489213	43B-SSVI3500	Plate Screw (6 req)
				44	1191845	44-5000SG	Crosswind Block Screw (2 req)
				45	1489345	45-SSVI8500	Housing Cover Assembly
				46	1191903	46-5000SG	Housing Cover Screw (4 req)
				47	1489346	47-SSVI8500	Spool Assembly
				48	1211625	48-5000SG	Click Tongue
				48A	1489326	48A-SSVI7500	Click Tongue Washer
				48B	1489327	48B-SSVI7500	Spool Click Screw
				49	1211627	49-5000SG	Click Tongue Spring
				51	1489328	51-SSVI7500	Drag Retaining Ring
				52	1489329	52-SSVI7500	Drag Knob Assembly
				56	1308114	56-CFT5000	Drag Washer (3 req)
				57	1489330	57-SSVI7500	Keyed Washer (3 req)
				60	1489320	39A-SSVI7500	Thrust Washer
				95B	1489331	95B -SSVI7500	Rotor Locking Plate
				98C	1489332	98C-SSVI7500	Clutch/Sleeve Assembly
				132	1489333	132-SSVI7500	Roller Washer
				132A	1489334	132A-SSVI7500	Line Roller Bushing
				226	1489335	226-SSVI7500	Rear Cover
				226A	1489227	226A-SSVI3500	Rear Cover Screw
				231	1489336	231-SSVI7500	Crosswind Gear
				231A	1489337	231A-SSVI7500	Crosswind Gear Washer
				231B	1489338	231B-SSVI7500	Crosswind Gear Screw
				231C	1489339	231C-SSVI7500	Crosswind Gear Sleeve
				233	1489340	233-SSVI7500	Bearing Cover Assembly