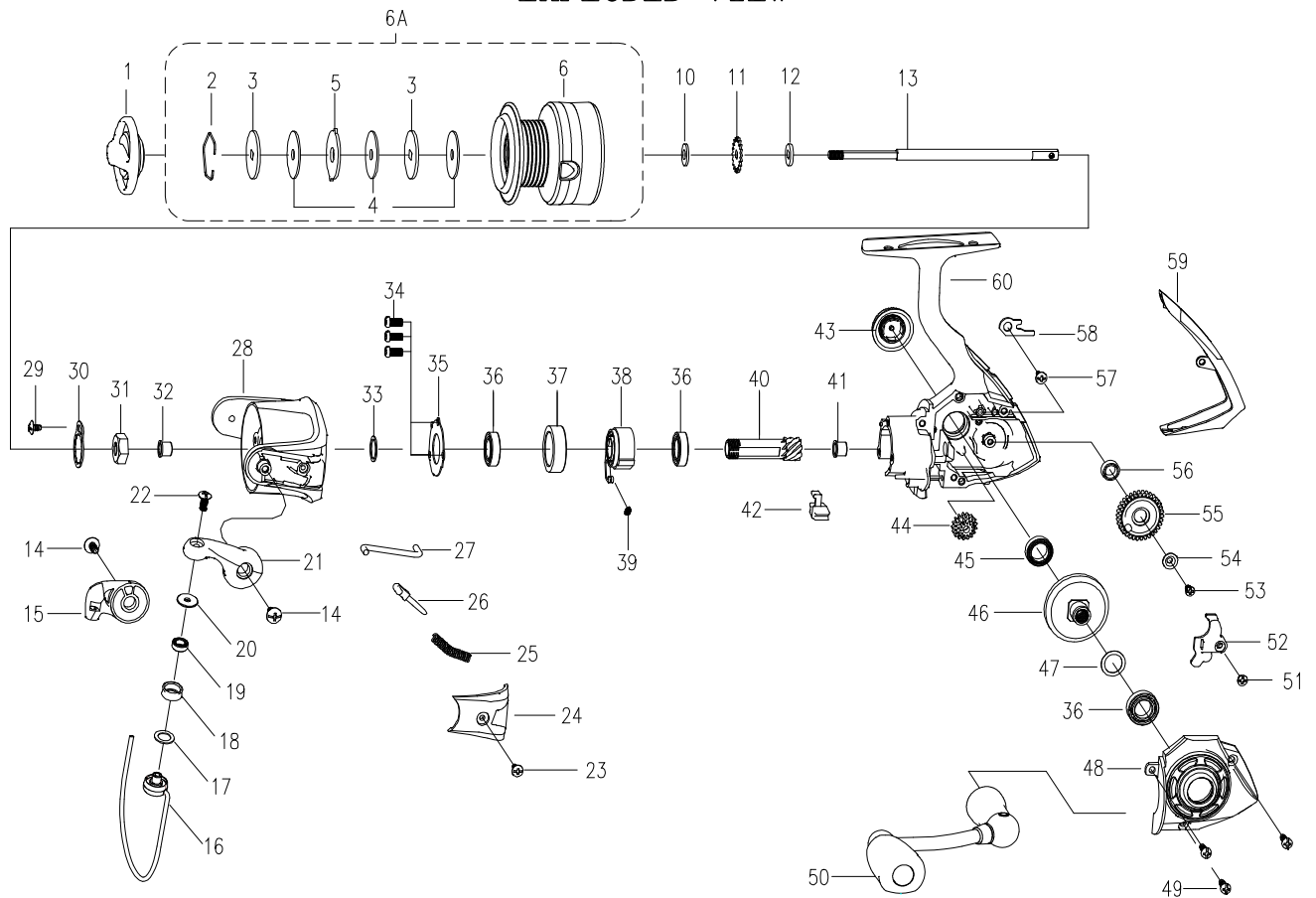


MODEL: PFL SP TRIONSP30

ITEM	DESCRIPTION	SAP #		ITEM	DESCRIPTION	SAP #
1	DRAG KNOB ASSY	1515125		32	BUSHING	1224442
2	STOP RING	1262623		33	CLUTCH WASHER	1205956
3	KEY WASHER	1201812		34	SCREW	1200799
4	DRAG WASHER	1225610		35	BEARING COVER	1200800
5	EARED WASHER	1303525		36	BEARING	1303519
6	SPOOL SUB-ASSY	1515126		37	BEARING SLEEVE	1200863
6A	COMPLETE SPOOL VENTED	1515127		38	ONE WAY CLUTCH	1419984
10	SHEET WASHER	1201817		39	CLUTCH SPRING	1201855
11	CLICK GEAR	1216528		40	PINION GEAR	1226655
12	WASHER	1200772		41	BUSHING	1200797
13	MAIN SHAFT	1515128		42	N-R LEVER COVER	1515133
14	SCREW	1200784		43	DUST CAP ASSY	1515107
15	BAIL HOLDER	1515129		44	GEAR	1359886
16	BAIL WIRE SUB-ASSY	1515130		45	BEARING	1303506
17	WASHER	1200780		46	DRIVE GEAR	1448523
18	LINE ROLLER	1366068		47	GEAR WASHER	1200876
19	BEARING	1210763		48	BODY COVER ASSY	1515134
20	LINE ROLLER COLLAR	1515131		49	SCREW	1200816
21	BAIL ARM	1303528		50	HANDLE ASSY	1515135
22	SCREW	1206593		51	SCREW	1200819
23	SCREW	1200787		52	O/S SLIDER	1448558
24	ROTOR COVER	1448552		53	SCREW	1220375
25	BAIL SPRING	1448553		54	O/S GEAR BUSHING	1216641
26	BAIL ARM GUIDE	1201836		55	O/S GEAR	1216642
27	TRIP PLUNGER	1205924		56	BEARING	1415998
28	ROTOR	1515132		57	SCREW	1205909
29	SCREW	1200794		58	O/S SLIDER PLATE	1220303
30	ROTOR NUT RETAINER	1200795		59	REAR RING	1515136
31	ROTOR NUT	1200796		60	BODY ASSY	1515137

EXPLODED VIEW



PFL SP TRIONSP30 00