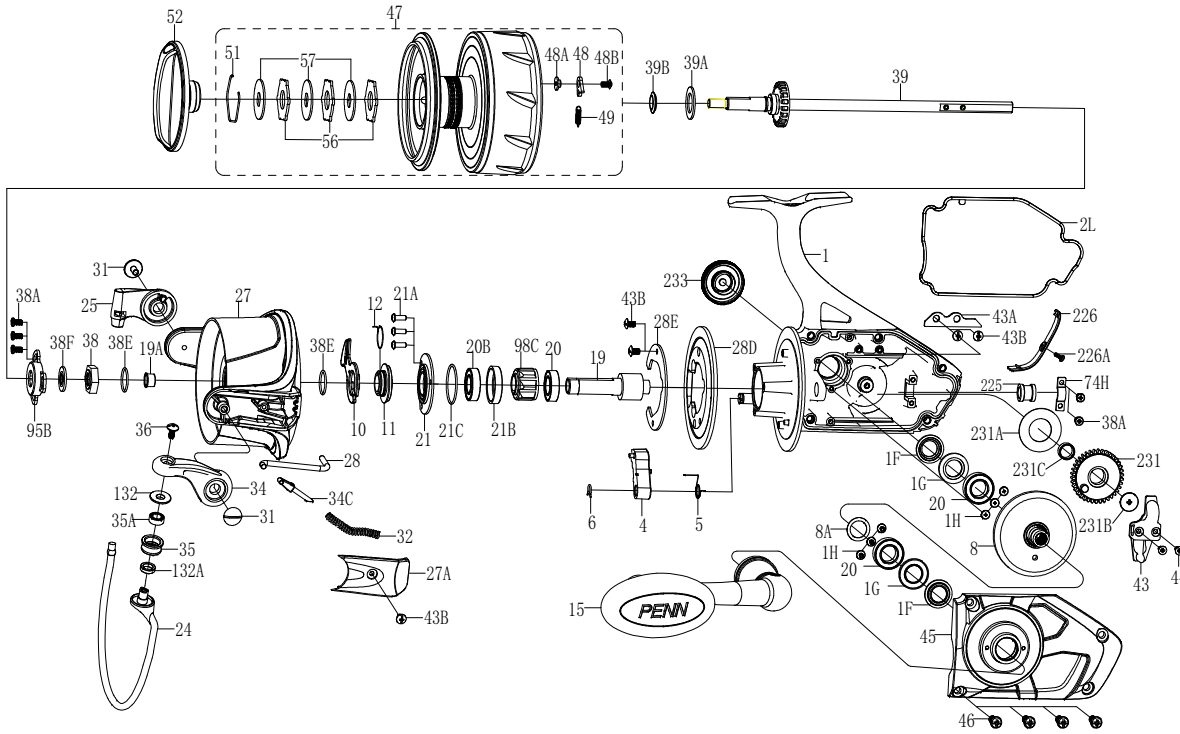




PARTS LIST FOR MODEL SSVI9500



KEY NO.	PART NO.	PENN STYLE NO.	DESCRIPTION
21C	1489388	21C-SSVI9500	Bearing Retainer O-Ring
24	1489347	24-SSVI9500	Bail Wire
25	1489348	25-SSVI9500	Bail Holder
27	1489349	27-SSVI9500	Rotor
27A	1489350	27A-SSVI9500	Bail Pivot Cover
28	1489351	28-SSVI9500	Trip Lever
28D	1489352	28D-SSVI9500	Rotor Brake
28E	1489353	28E-SSVI9500	Brake Plate
31	1489310	31-SSVI7500	Bail Arm Screw (2 req)
32	1489354	32-SSVI9500	Bail Spring
34	1489312	34-SSVI7500	Bail Arm
34C	1489355	34C-SSVI9500	Pivot Arm
35	1489356	35-SSVI9500	Line Roller
35A	1242222	35A-5000BTL	Line Roller Bearing
36	1191566	31-2000SG	Bail Stud Screw
38	1489315	38-SSVI7500	Rotor Nut
38A	1489316	38A-SSVI7500	Holder Plate Screw(5 req)
38E	1489317	38E-SSVI7500	Rotor O-Ring(2 req)
38F	1489357	38F-SSVI9500	Main Shaft Seal Ring
39	1489358	39-SSVI9500	Main Shaft Assembly
39A	1489320	39A-SSVI7500	Thrust Washer
39B	1489321	39B-SSVI7500	Spool Seal Ring
43	1489359	43-SSVI9500	Crosswind Block
43A	1489360	43A-SSVI9500	Crosswind Block Plate
43B	1489213	43B-SSVI3500	Plate Screw (5 req)
44	1489361	44-SSVI9500	Crosswind Block Screw (2req)
45	1489362	45-SSVI9500	Housing Cover Assembly
46	1489363	46-SSVI9500	Housing Cover Screw (4 req)
47	1489364	47-SSVI9500	Spool Assembly
48	1211625	48-5000SG	Click Tongue
48A	1211626	48A-5000SG	Click Tongue Washer
48B	1489327	48B-SSVI7500	Spool Click Screw
49	1211627	49-5000SG	Click Tongue Spring
51	1489328	51-SSVI7500	Drag Retaining Ring
52	1489365	52-SSVI9500	Drag Knob Assembly
56	1308114	56-CFT5000	Drag Washer (3 req)
57	1489330	57-SSVI7500	Keyed Washer (3 req)
74H	1489366	74H-SSVI9500	Bushing Plate
95B	1489331	95B-SSVI7500	Rotor Locking Plate
98C	1489332	98C-SSVI7500	Clutch/Sleeve Assembly
132	1489367	132-SSVI9500	Roller Washer
132A	1489334	132A-SSVI7500	Line Roller Bushing
225	1489368	225-SSVI9500	Shaft Bushing
226	1489369	226-SSVI9500	Rear Cover
226A	1489227	226A-SSVI3500	Rear Cover Screw
231	1489370	231-SSVI9500	Crosswind Gear
231A	1489371	231A-SSVI9500	Crosswind Gear Washer
231B	1489372	231B-SSVI9500	Crosswind Gear Screw
231C	1489373	231C-SSVI9500	Crosswind Gear Sleeve
233	1489374	233-SSVI9500	Bearing Cover Assembly

KEY NO.	PART NO.	PENN STYLE NO.	DESCRIPTION
1	1489375	1-SSVI9500	Housing Assembly
1F	1489289	1F-SSVI7500	Main Gear Seal Ring(2 req)
1G	1489288	1G-SSVI7500	Seal Plate(2 req)
1H	1489176	1H-SSVI3500	Bearing Screw (6 req)
2L	1489376	2L-SSVI9500	Housing Seal Ring
4	1489377	4-SSVI9500	A/R Dog
5	1489378	5-SSVI9500	Dog Spring
6	1489379	6-SSVI9500	Retaining Clip
8	1489380	8-SSVI9500	Main Gear
8A	1216652	8A-7000FRC	Shim
10	1489381	10-SSVI9500	A/R Holder
11	1489382	11-SSVI9500	Bushing
12	1489296	12-SSVI7500	Bushing Spring
15	1489383	15-SSVI9500	Handle Assembly
19	1489384	19-SSVI9500	Pinion Gear
19A	1489385	19A-SSVI9500	Pinion Bushing
20	1489300	20-SSVI7500	Ball Bearing (3 req)
20B	1192621	20B-7000SG	Ball Bearing
21	1489386	21-SSVI9500	Bearing Retainer
21A	1192645	21A-5000SG	Bearing Retainer Screw (3 req)
21B	1489387	21B-SSVI9500	Collar

407-SSVI9500 Rev. 0 22-1-18

1481267