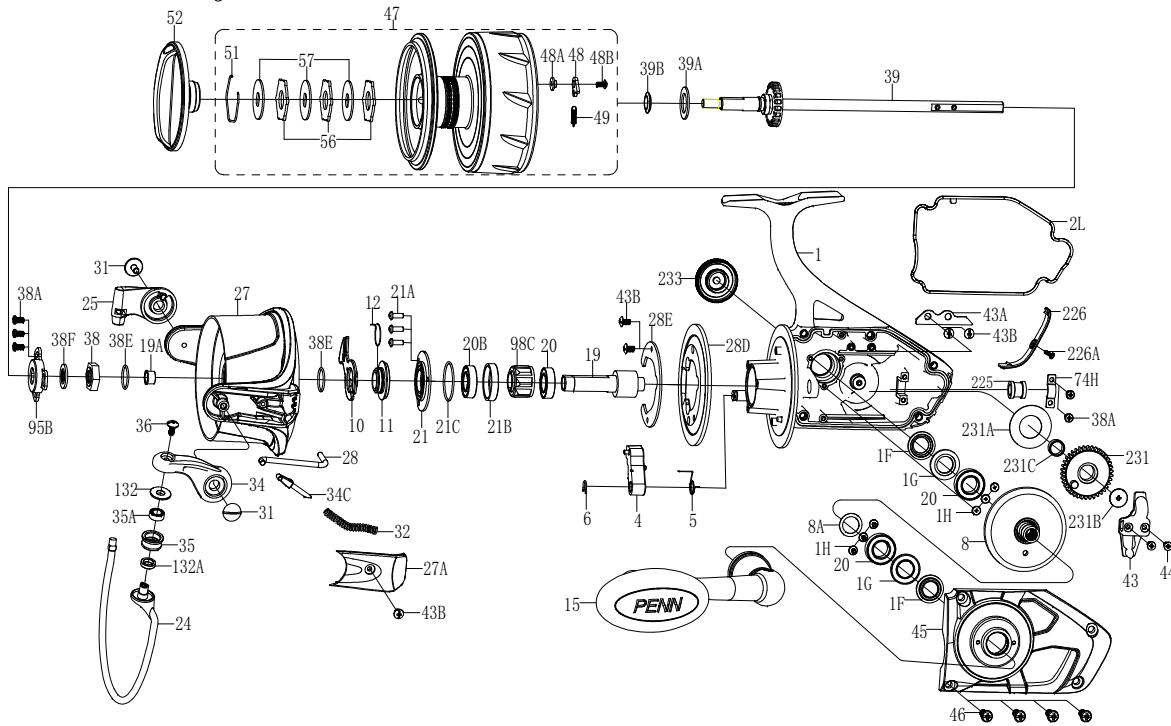




# PARTS LIST FOR MODEL SSVI10500



| KEY NO. | PART NO. | PENN STYLE NO. | DESCRIPTION                   |
|---------|----------|----------------|-------------------------------|
| 21C     | 1489388  | 21C-SSVI9500   | Bearing Retainer O-Ring       |
| 24      | 1489390  | 24-SSVI10500   | Bail Wire                     |
| 25      | 1489348  | 25-SSVI9500    | Bail Holder                   |
| 27      | 1488468  | 27-SSVI10500   | Rotor                         |
| 27A     | 1488469  | 27A-SSVI10500  | Bail Pivot Cover              |
| 28      | 1489351  | 28-SSVI9500    | Trip Lever                    |
| 28D     | 1489352  | 28D-SSVI9500   | Rotor Brake                   |
| 28E     | 1489353  | 28E-SSVI9500   | Brake Plate                   |
| 31      | 1489310  | 31-SSVI7500    | Bail Arm Screw (2 req)        |
| 32      | 1489354  | 32-SSVI9500    | Bail Spring                   |
| 34      | 1489312  | 34-SSVI7500    | Bail Arm                      |
| 34C     | 1489355  | 34C-SSVI9500   | Pivot Arm                     |
| 35      | 1489356  | 35-SSVI9500    | Line Roller                   |
| 35A     | 1242222  | 35A-5000BTL    | Line Roller Bearing           |
| 36      | 1191566  | 31-2000SG      | Bail Stud Screw               |
| 38      | 1489315  | 38-SSVI7500    | Rotor Nut                     |
| 38A     | 1489316  | 38A-SSVI7500   | Holder Plate Screw(5 req)     |
| 38E     | 1489317  | 38E-SSVI7500   | Rotor O-Ring(2 req)           |
| 38F     | 1489357  | 38F-SSVI9500   | Main Shaft Seal Ring          |
| 39      | 1489358  | 39-SSVI9500    | Main Shaft Assembly           |
| 39A     | 1489320  | 39A-SSVI7500   | Thrust Washer                 |
| 39B     | 1489321  | 39B-SSVI7500   | Spool Seal Ring               |
| 43      | 1489359  | 43-SSVI9500    | Crosswind Block               |
| 43A     | 1489360  | 43A-SSVI9500   | Crosswind Block Plate         |
| 43B     | 1489213  | 43B-SSVI3500   | Plate Screw (5 req)           |
| 44      | 1489361  | 44-SSVI9500    | Crosswind Block Screw (2 req) |
| 45      | 1488470  | 45-SSVI10500   | Housing Cover Assembly        |
| 46      | 1489363  | 46-SSVI9500    | Housing Cover Screw (4 req)   |
| 47      | 1488471  | 47-SSVI10500   | Spool Assembly                |
| 48      | 1211625  | 48-5000SG      | Click Tongue                  |
| 48A     | 1211626  | 48A-5000SG     | Click Tongue Washer           |
| 48B     | 1489327  | 48B-SSVI7500   | Spool Click Screw             |
| 49      | 1211627  | 49-5000SG      | Click Tongue Spring           |
| 51      | 1489328  | 51-SSVI7500    | Drag Retaining Ring           |
| 52      | 1489365  | 52-SSVI9500    | Drag Knob Assembly            |
| 56      | 1308114  | 56-CFT5000     | Drag Washer (3 req)           |
| 57      | 1489330  | 57-SSVI7500    | Keyed Washer (3 req)          |
| 74H     | 1489366  | 74H-SSVI9500   | Bushing Plate                 |
| 95B     | 1489331  | 95B-SSVI7500   | Rotor Locking Plate           |
| 98C     | 1489332  | 98C-SSVI7500   | Clutch/Sleeve Assembly        |
| 132     | 1489367  | 132-SSVI9500   | Roller Washer                 |
| 132A    | 1489334  | 132A-SSVI7500  | Line Roller Bushing           |
| 225     | 1489368  | 225-SSVI9500   | Shaft Bushing                 |
| 226     | 1489369  | 226-SSVI9500   | Rear Cover                    |
| 226A    | 1489227  | 226A-SSVI3500  | Rear Cover Screw              |
| 231     | 1489370  | 231-SSVI9500   | Crosswind Gear                |
| 231A    | 1489371  | 231A-SSVI9500  | Crosswind Gear Washer         |
| 231B    | 1489372  | 231B-SSVI9500  | Crosswind Gear Screw          |
| 231C    | 1489373  | 231C-SSVI9500  | Crosswind Gear Sleeve         |
| 233     | 1489374  | 233-SSVI9500   | Bearing Cover Assembly        |

| KEY NO. | PART NO. | PENN STYLE NO. | DESCRIPTION                    |
|---------|----------|----------------|--------------------------------|
| 1       | 1489389  | 1-SSVI10500    | Housing Assembly               |
| 1F      | 1489289  | 1F-SSVI7500    | Main Gear Seal Ring(2 req)     |
| 1G      | 1489288  | 1G-SSVI7500    | Seal Plate(2 req)              |
| 1H      | 1489176  | 1H-SSVI3500    | Bearing Screw (6 req)          |
| 2L      | 1489376  | 2L-SSVI9500    | Housing Seal Ring              |
| 4       | 1489377  | 4-SSVI9500     | A/R Dog                        |
| 5       | 1489378  | 5-SSVI9500     | Dog Spring                     |
| 6       | 1489379  | 6-SSVI9500     | Retaining Clip                 |
| 8       | 1489380  | 8-SSVI9500     | Main Gear                      |
| 8A      | 1216652  | 8A-7000FRC     | Shim                           |
| 10      | 1489381  | 10-SSVI9500    | A/R Holder                     |
| 11      | 1489382  | 11-SSVI9500    | Bushing                        |
| 12      | 1489296  | 12-SSVI7500    | Bushing Spring                 |
| 15      | 1489383  | 15-SSVI9500    | Handle Assembly                |
| 19      | 1489384  | 19-SSVI9500    | Pinion Gear                    |
| 19A     | 1489385  | 19A-SSVI9500   | Pinion Bushing                 |
| 20      | 1489300  | 20-SSVI7500    | Ball Bearing (3 req)           |
| 20B     | 1192621  | 20B-7000SG     | Ball Bearing                   |
| 21      | 1489386  | 21-SSVI9500    | Bearing Retainer               |
| 21A     | 1192645  | 21A-5000SG     | Bearing Retainer Screw (3 req) |
| 21B     | 1489387  | 21B-SSVI9500   | Collar                         |

407-SSVI10500 Rev. 0 22-1-18

1481268