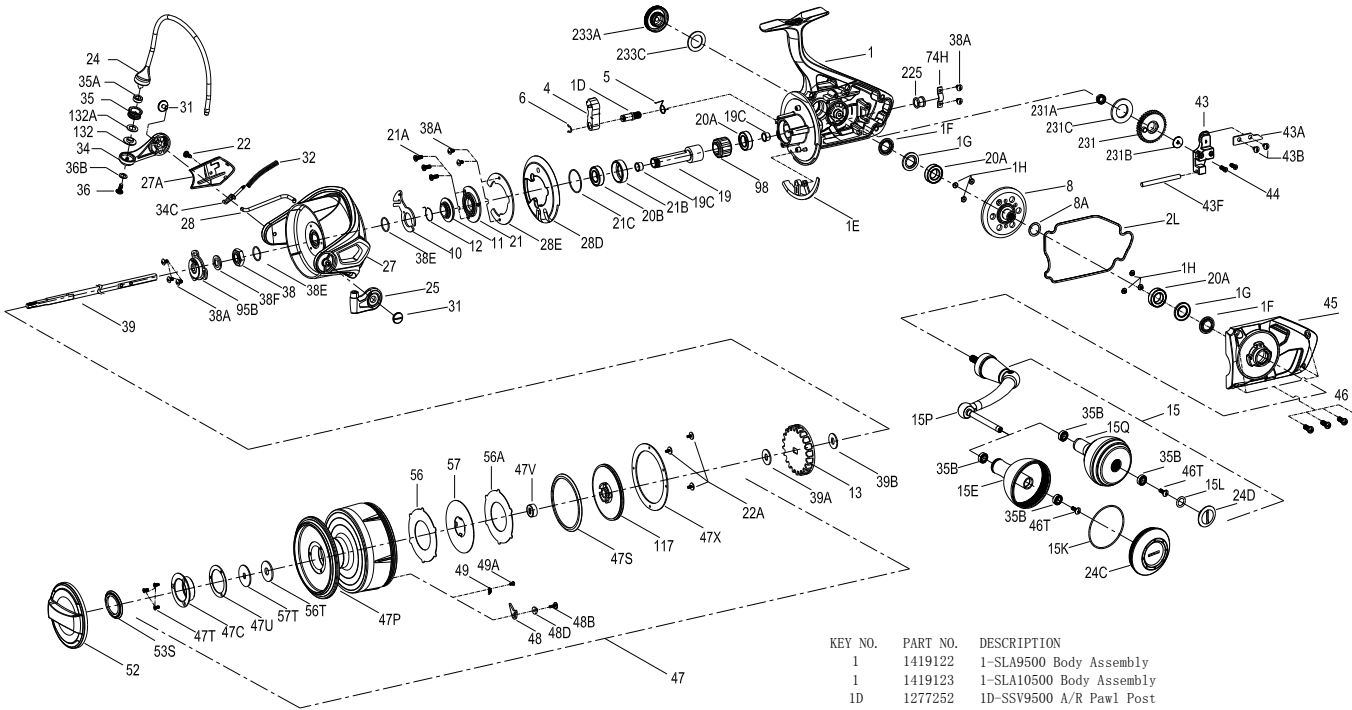




# PARTS LIST FOR MODEL SLAMMERIII 9500/10500



KEY NO.	PART NO.	DESCRIPTION
22A	1418982	22A-SLA3500 Drag Cover Screw(3req.)
24	1419133	24-SLA9500 Bail Assembly
24	1419134	24-SLA10500 Bail Assembly
24C	1419074	24C-SLA5500 Handle Knob Cap
24D	1417808	24C-CLA5000 Handle Knob Cap
25	1385663	25-CLA8000 Bail Holder
27	1419135	27-SLA9500 Rotor
27	1419136	27-SLA10500 Rotor
27A	1419137	27A-SLA9500 Rotor Cover
28	1419138	28-SLA9500 Bail Trip Lever
28	1419139	28-SLA10500 Bail Trip Lever
28D	1419140	28D-SLA9500 Rotor Brake
28E	1294662	28E-SSV10500 Rotor Brake Cover
31	1277055	31-SSV5500 Bail Arm Screw(2req.)
32	1419141	32-SLA9500 Bail Spring
34	1385667	34-CLA8000 Bail Arm
34C	1277164	34C-SSV7500 Pivot Arm
35	1277165	35-SSV7500 Line Roller
35A	1419050	35A-SLA5500 Line Roller Bushing
35B	1277060	35A-SSV5500 Line Roller Ball Bearing(2req.)
36	1422399	36-SLA9500 Line Roller Screw
36B	1417809	36B-CLA6000 Bail Arm Screw Washer
38	1419103	38-SLA7500 Rotor Nut
38A	1277063	38A-SSV5500 Rotor Nut Lock Plate Screw(7req.)
38E	1418958	38E-SLA3500 Pinion Gear Screw(2req.)
38F	1419143	38F-SLA9500 Main Shaft Seal
39	1419144	39-SLA9500 Main Shaft
39A	1288190	39A-SSV9500 Spool Adjust Washer
39B	1422994	39B-SLA9500 Main Shaft Washer
43	1419145	43-SLA9500 Oscillation Slider
43A	1277273	43A-SSV9500 Oscillation Slider Guide
43B	1277063	38A-SSV5500 Rotor Nut Lock Plate Screw(2req.)
43F	1419146	43F-SLA3500 Guide Shaft
44	1277174	44-SSV7500 Main Shaft Screw(2req.)
45	1419147	45-SLA9500 Body Cover
45	1419148	45-SLA10500 Body Cover
46	1277275	46-SSV9500 Body Cover Screw(4req.)
46T	1341500	3-SSV7500LC A/R Screw
47	1419149	47-SLA9500 Spool Assembly
47	1419150	47-SLA10500 Spool Assembly
47C	1419059	47C-SLA9500 Drag Cover
47P	1419152	47P-SLA9500 Spool
47P	1419153	47P-SLA10500 Spool
47S	1419154	47S-SLA9500 Drag Cover Seal
47T	1341544	47T-SSV7500LC Rear Cover Screw(3req.)
47U	1418960	47U-SLA3500 Drag Cover Seal
47V	1419121	47V-SLA9500 Spool-Main Shaft Seal
47X	1419120	47X-SLA9500 Drag Cover
48	1419155	48-SLA9500 Spool Clicker
48B	1419156	48B-SLA9500 Spool Clicker Spring Screw
48D	1422400	48D-SLA9500 Spool Clicker Spacer Ring
49	1419157	49-SLA9500 Spool Click Spring
49A	1419158	49A-SLA9500 Spool Click Spring Screw
52	1419159	52-SLA9500 Drag Knob Assembly
53S	1293252	53S-SSV5500 Drag Knob Seal
56	1415388	6-T2S7-1 Drag Friction Washer
56A	1415389	6-T2S7-2 Drag Friction Washer
56T	1277089	56T-SSV5500 Drag Friction Washer
57	1419160	57-SLA9500 Keyed Drag Washer
57T	1419161	57T-SLA5500 Keyed Drag Washer
74H	1422401	74H-SLA9500 Rear Bushing Plate
95B	1419114	95B-SLA7500 Rotor Nut Locking Plate
98	1277190	98-SSV7500 Clutch/Sleeve Assembly
117	1419162	117-SLA9500 Drag Drive Plate
132	1419163	132-SLA9500 Line Roller Collar
132A	1422388	132A-SLA9500 Line Roller Washer
225	1419164	225-SLA9500 Rear Bushing
231	1419166	231-SLA9500 Oscillation Gear
231A	1419167	231A-SLA9500 Oscillation Gear Bushing
231B	1419168	231B-SLA9500 Oscillation Gear Screw
231C	1422489	231C-SLA9500 O/S Gear Washer
233A	1419169	233A-SLA9500 Handle Cap
233C	1419170	232-SLA5500 Handle Cap Washer

KEY NO.	PART NO.	DESCRIPTION
1	1419122	1-SLA9500 Body Assembly
1	1419123	1-SLA10500 Body Assembly
1D	1277252	1D-SSV9500 A/R Pawl Post
1E	1419119	1E-SLA9500 Body Slope
1F	1419083	1F-SLA7500 Body Side Seal(2req.)
1G	1419082	1G-SLA7500 Body Side Seal Lock Plate(2req.)
1H	1418957	1H-SLA3500 Body Side Screw(6req.)
2L	1419124	2L-SLA9500 Body Seal
4	1277294	4-SSV10500 A/R Pawl
5	1277255	5-SSV9500 A/R Pawl Spring
6	1277256	6-SSV9500 Retainer Clip
8	1419125	8-SLA9500 Driver Gear
8A	1277146	8A-SSV7500 Driver Gear Shim Washer
10	1419126	10-SLA9500 A/R Pawl Holder
11	1419088	11-SLA7500 A/R Bushing
12	1309001	12-SSV9500 A/R Bushing Spring
13	1419127	13-SLA9500 Spool Click Gear
15	1419128	15-SLA9500 Handle Assembly
15E	1419072	15E-SLA5500 Handle Knob
15K	1419073	15K-SLA5500 Handle Knob Cap Seal
15L	1417804	15L-CLA2000 Handle Knob Cap Seal
15P	1422397	15P-SLA9500 Sub-Handle Assembly
15Q	1418244	15E-CLA6000 Handle Knob
19	1419129	19-SLA9500 Pinion Gear
19C	1419130	19C-SLA9500 Pinion Gear Bushing(2req.)
20A	1277152	20A-SSV7500 Ball Bearing(3req.)
20B	1422398	20B-SLA9500 Sealed Ball Bearing
21	1419131	21-SLA9500 Pinion Bearing Retainer
21A	1277154	21A-SSV7500 Pinion Retainer Screw(3req.)
21B	1419132	21B-SLA9500 Pinion Ball Bearing Collar
21C	1385684	21C-CLA8000 O Ring
22	1277046	22-SSV5500 Rotor Cover Screw