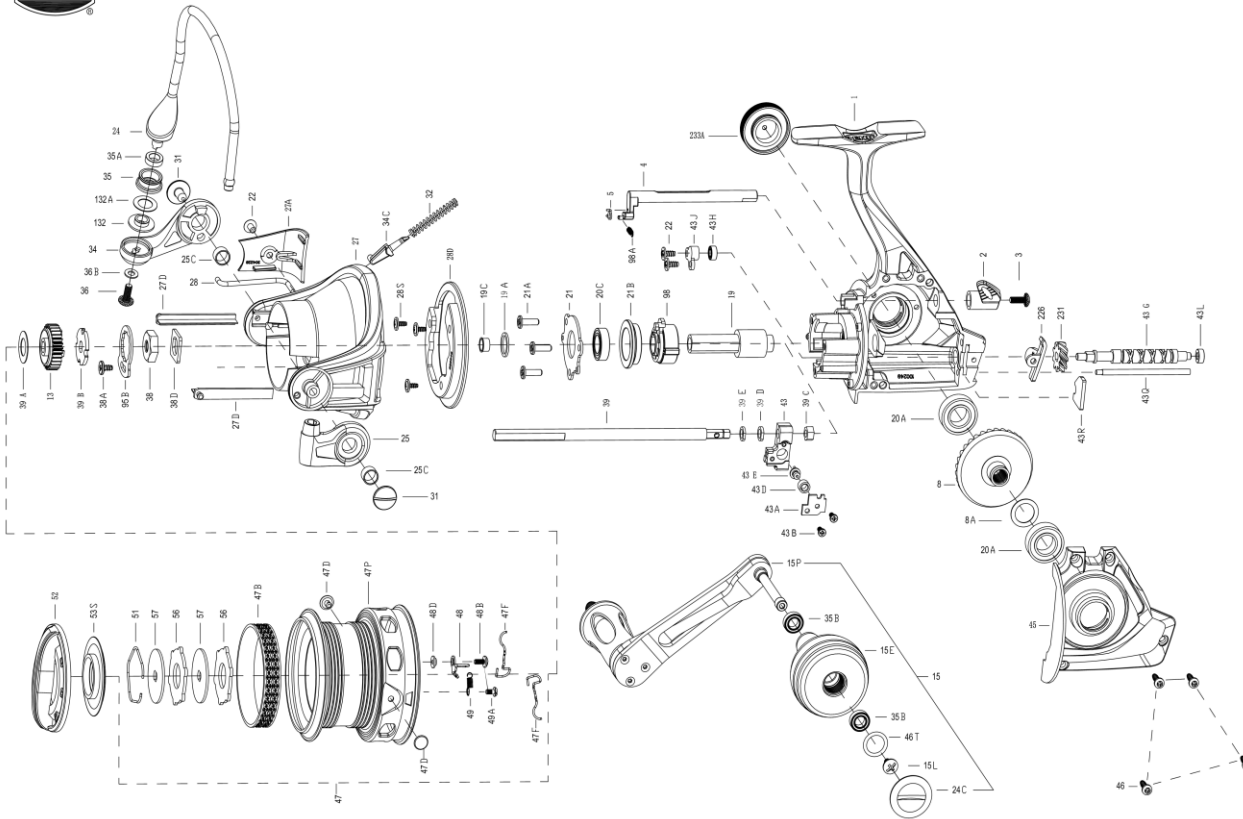




PARTS LIST FOR CFTII4000LC-US/CFTII4000LC-EU



KEY NO.	PART NO.	PENN STYLE NO.	DESCRIPTION
1	1483045	1-CFTII4000LC-US	Body Assembly
1	1483046	1-CFTII4000LC-EU	Body Assembly
2	1341498	2-SSV7500LC	A/R Button
3	1341500	3-SSV7500LC	Screw
4	1483047	4-CFTII4000LC	A/R Lever
5	1484782	5-CFTII4000LC	A/R Spring
8	1483124	8-CFTII5000LC	Drive Gear
8A	1277146	8A-SSV7500	Drive Gear Shim Washer
13	1483048	13-CFTII4000LC	Click Gear
15	1483125	15-CFTII5000LC	Handle Assembly
15E	1417807	15E-CLA5000	Handle Knob
15L	1417804	15L-CLA2000	Handle Knob Seal
15P	1483126	15P-CFTII5000LC	Sub-Handle Assembly
19	1483089	19-CFTII4000LC	Gear
19A	1483090	19A-CFTII4000LC	Washer
19C	1259433	19C-CFTII4000LC	Pinion Gear Bushing
20A	1308090	20-CFT5000	Ball Bearing
20C	1385532	20C-CLA3000	Ball Bearing
21	1484783	21-CFTII4000LC	Retainer
21A	1377594	21A-BTLII8000LC	Screw
21B	1484784	21B-CFTII4000LC	Collar
22	1092845	22-CLA2000	Screw
24	1483091	24-CFTII4000LC	One Piece Bail
24C	1417808	24C-CLA5000	Handle Knob Cap
25	1339500	25-CLA5000	Bail Holder
25C	1102065	25C-CLA5000	Bushing
27	1483092	27-CFTII4000LC	Rotor
27A	1483093	27A-CFTII4000LC	Rotor Cover
27D	1483094	27D-CFTII4000LC	Line Guard
28	1483095	28-CFTII4000LC	Rotor Trip Lever
28D	1483096	28D-CFTII4000LC	Rotor Brake
28S	1377602	28S-BTLII8000LC	Screw
31	1339513	31-CLA5000	Screw
32	1277056	32-SSV5500	Bail Spring
34	1339516	34-CLA5000	Bail Arm
34C	1389469	34C-CLA6000	Pivot Arm
35	1447878	35-CFTII3000	Line Roller
35A	1418992	35A-SLA3500	Line Roller Bushing
35B	1385552	35A-CLA3000	Ball Bearing
36	1277166	36-SSV7500	Line Roller Screw
36B	1417809	36B-CLA6000	Bail Arm Screw Washer
38	1385623	38-CLA2000	Rotor Nut
38A	1378050	38A-BTLII7000LC	Screw
38D	1385555	38D-CLA3000	Rotor Washer
39	1483097	39-CFTII4000LC-US	Main Shaft
39	1483098	39-CFTII4000LC-EU	Main Shaft
39A	1483099	39A-CFTII4000LC	Spool Adjust Washer
39B	1483100	39B-CFTII4000LC	Main Shaft Washer
39C	1483101	39C-CFTII4000LC	Main Shaft Nut
39D	1483102	39D-CFTII4000LC	Rubber Pad
39E	1483103	39E-CFTII4000LC	Fixing Plate
43	1483104	43-CFTII4000LC	Worm O/S Slider
43A	1484785	43A-CFTII4000LC	Slider Retainer Plate
43B	1483105	43B-CFTII4000LC	Screw
43D	1484786	43D-CFTII4000LC	Guide Claw Bushing
43E	1483106	43E-CFTII4000LC	Guide Claw
43G	1483107	43G-CFTII4000LC	Worm Shaft
43H	1377609	43H-BTLII8000LC	Ball Bearing
43J	1484857	43J-CFTII4000LC	Top Retainer Plate
43L	1341533	43L-SSV7500LC	Bushing
43Q	1484787	43Q-CFTII4000LC	Guide Shaft
43R	1259627	43-AP8000LC	Rear Retainer Plate
45	1483108	45-CFTII4000LC	Body Cover
46	1447884	46-CFTII3000	Screw
46T	1341500	3-SSV7500LC	Screw
47	1483109	47-CFTII4000LC	Spool Assembly
47	1483110	47-CFTII4000LC	Spool Assembly
47B	1341538	47B-SSV7500LC	Spool Band
47D	1483163	47D-CFTII5000LC	Line Hook
47F	1484788	47F-CFTII4000LC	Retainer
47P	1483242	47P-CFTII4000LC-US	Spool
47P	1483241	47P-CFTII4000LC-EU	Spool
48	1483167	48-CFTII5000LC	Click Plate
48B	1385581	48B-CLA3000	Spool Clicker Spring Screw
48D	1341546	48D-SSV7500LC	Spool Clicker Spacer Ring
49	1259579	49-7000AF	Spool Click Spring
49A	1341547	49A-SSV7500LC	Spool Click Spring Screw
51	1447925	51-CFTII5000	Drag Washer Retainer
52	1483113	52-CFTII4000LC-US	Drag Knob Assembly
52	1483114	52-CFTII4000LC-EU	Drag Knob Assembly
53S	1483237	53S-CFTII8000LC	Drag Knob Seal
56	1339557	56-CLA5000	Drag Friction Washer
57	1483172	57-CFTII5000LC	Washer
95B	1277093	95B-SSV5500	Rotor Nut Locking Plate
98	1102144	98-CFTII4000LC	One Way Clutch Bearing Assembly
98A	1102143	98A-CFTII4000LC	Clutch Assembly Spring
132	1483173	132-CFTII5000LC	Line Roller Collar
132A	1277097	132A-SSV5500	Line Roller Washer
226	1483115	226-CFTII4000LC	Rear Cover
231	1483116	231-CFTII4000LC	Gear
233A	1339570	233A-CLA5000	Handle Cap Assembly