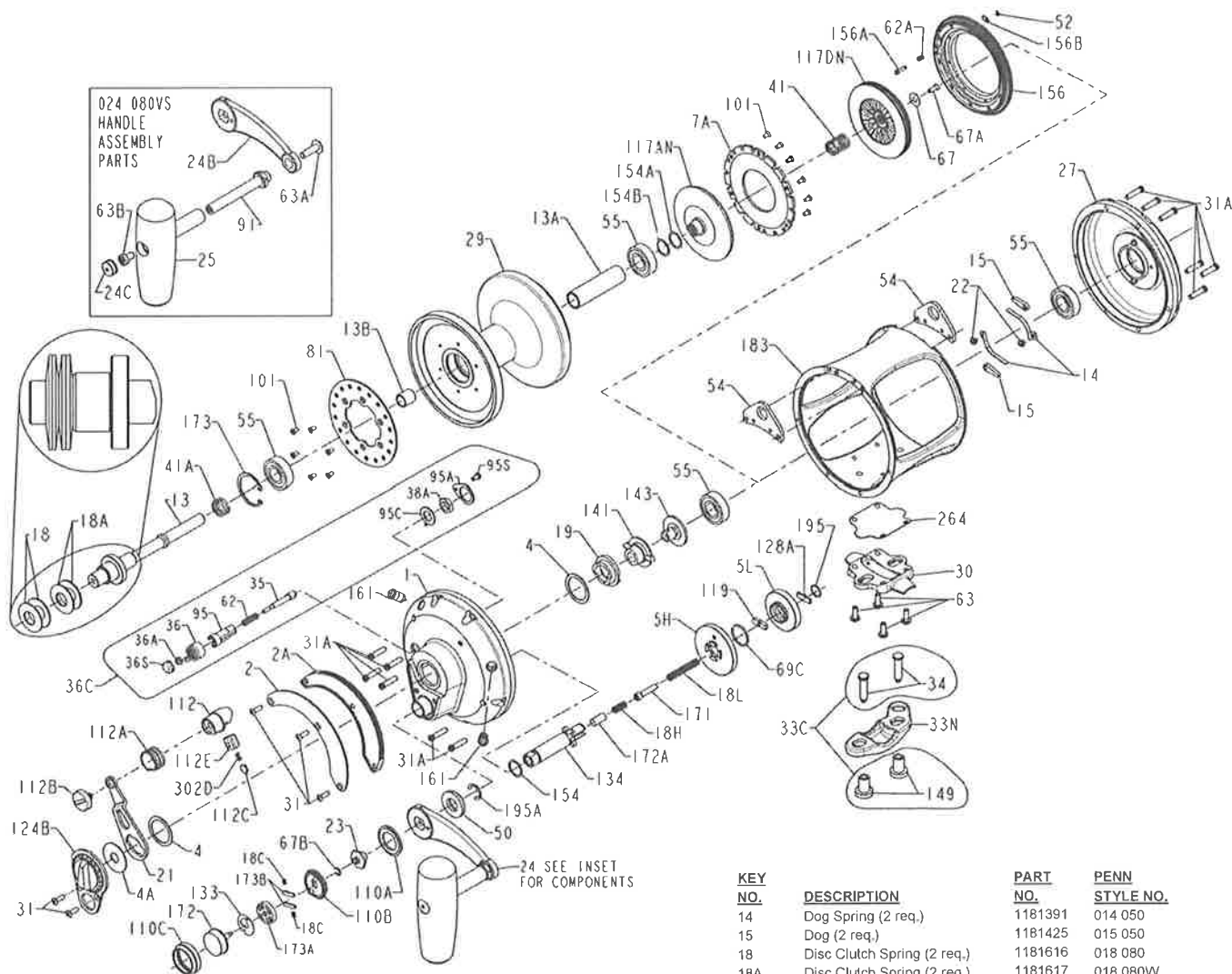




MODELS 70VS, 1151036 (GOLD) (After Serial Number F070001) & 70VSS, 1385487 (SILVER)



| KEY NO. | DESCRIPTION | PART NO. | PENN STYLE NO. |
|---------|----------------------------|----------|----------------|
| 1 | RS Plate Asm (GOLD) | 1190807 | 001 070VS |
| 1 | RS Plate Asm (SILVER) | 1389473 | 001 070VSSLV |
| 2 | Quadrant Ring | 1180601 | 002 070 |
| 2A | Quadrant Spacer / Ratchet | 1190903 | 002A070VS |
| 4 | Cam Thrust Washer (2 req.) | 1180756 | 004 070 |
| 4A | Thrust Washer | 1180792 | 004A070 |
| 5H | Main Gear (High Speed) | 1192579 | 005 070VSHS |
| 5L | Main Gear (Low Speed) | 1192580 | 005 070VSLS |
| 7A | Metal Drag Washer | 1181035 | 007A050VS |
| 13 | Pinion Gear Assembly | 1181302 | 013 070 |
| 13A | Spool Sleeve | 1181372 | 013B070VS |
| 13B | Pinion Gear Sleeve | 1181371 | 013B070 |

| KEY NO. | DESCRIPTION | PART NO. | PENN STYLE NO. |
|---------|------------------------------|----------|----------------|
| 14 | Dog Spring (2 req.) | 1181391 | 014 050 |
| 15 | Dog (2 req.) | 1181425 | 015 050 |
| 18 | Disc Clutch Spring (2 req.) | 1181616 | 018 080 |
| 18A | Disc Clutch Spring (2 req.) | 1181617 | 018 080V |
| 18C | Shift Button Spring (2 req.) | 1181632 | 018C015KG |
| 18H | Shift Spring (Heavy) | 1181634 | 018H030VS |
| 18L | Shift Spring (Light) | 1181637 | 018L030VS |
| 19 | Eccentric Cam | 1181649 | 019 070 |
| 21 | Eccentric Lever | 1181836 | 021 070 |
| 22 | Dog Spring Screw (2 req.) | 1181912 | 022 109 |
| 23 | Handle Screw | 1181933 | 023 030VS |
| 24 | Handle Assembly | 1181982 | 024 080VS |
| 24B | Handle Blank | 1223798 | 024 080VS-1 |
| 24C | Handle Knob Cap | 1191336 | 024C080ST |
| 25 | Knob, Molded Handle | 1224726 | 025 080STM |
| 27 | Left Side Plate Asm (GOLD) | 1191379 | 027 070VS |
| 27 | Left Side Plate Asm (SILVER) | 1390198 | 027 070VSSLV |
| 29 | Spool Assembly (GOLD) | 1191533 | 029L070VS |
| 29 | Spool Assembly (SILVER) | 1389491 | 029L070VSSLV |
| 30 | Stand | 1191552 | 030 050VS |
| 31 | Oval Head Screw (5 req) | 1182700 | 031T070 |
| 31A | Side Plate Screw (12 req) | 1191564 | 031 080VS |

| KEY NO. | DESCRIPTION | PART NO. | PENN STYLE NO. |
|---------|------------------------------|----------|----------------|
| 33C | Rod Clamp Kit | 1182770 | 033C070VS |
| 33N | Rod Clamp | 1191619 | 033N070 |
| 34 | Clamp Screw (2 req.) | 1182792 | 034 070VS |
| 35 | Click Tongue | 1191667 | 035 070VS |
| 36 | Click Button | 1183047 | 036N050 |
| 36A | Click Button Nut | 1183014 | 036 700 |
| 36S | Click Button Cap | 1183051 | 036S080ST |
| 38A | Click Bushing Nut | 1183157 | 038 710 |
| 41 | Bearing Spring | 1183325 | 041 050 |
| 41A | Drag Spring | 1183328 | 041 070 |
| 50 | Gear Stud Shield | 1191966 | 050 050VS |
| 52 | Retaining "E" Ring | 1183840 | 052 910 |
| 54 | Harness Lug (2 req.) | 1183866 | 054A080S |
| 55 | Ball Bearing (4 req.) | 1183778 | 055 080 |
| 62 | Click Spring | 1184022 | 062 050 |
| 62A | Cover Locking Spring | 1184029 | 062 545 |
| 63 | Stand Screw (4 req.) | 1184045 | 063 030T |
| 63A | Handle Shaft Screw | 1184056 | 063A050 |
| 63B | Handle Knob Screw | 1192077 | 063 080VS |
| 67 | Pinion Gear Washer | 1184106 | 067 070 |
| 67A | Retaining Screw | 1184111 | 067A070 |
| 67B | Retaining "C" Ring | 1184105 | 067 030VS |
| 69C | Shift Retaining Ring | 1184133 | 069C245 |
| 81 | Click Ratchet | 1184205 | 081 070 |
| 91 | Handle Knob Shaft | 1192179 | 091 080VS |
| 95 | Click Tongue Bushing | 1184307 | 095 070 |
| 95A | Click Retaining Plate | 1184312 | 095B070 |
| 95C | Click Bushing Washer | 1184311 | 095A050 |
| 95S | Click Retaining Plate Screw | 1183586 | 046A704 |
| 101 | Flat Head Screw (12 req) | 1184403 | 101 030 |
| 110A | Handle Screw Locking Ring | 1184440 | 110A030VS |
| 110B | Shifter Base Plate Asm | 1184446 | 110B030VS |
| 110C | Shift Button Retaining Ring | 1184447 | 110C030VS |
| 112 | Eccentric Knob (GOLD) | 1192711 | 112B030VS |
| 112 | Eccentric Knob (SILVER) | 1389497 | 112B030VSSLV |
| 112A | Eccentric Knob Sleeve | 1184460 | 112A030VS |
| 112B | Ecc Knob Screw (GOLD) | 1184464 | 112B070 |
| 112B | Ecc Knob Screw (SILVER) | 1389498 | 112B070SLV |
| 112C | Eccentric Click Plate | 1192712 | 112C030VS |
| 112E | Click Plate Housing | 1192713 | 112E030VS |
| 117AN | Inner Drive Plate | 1184496 | 117AN070 |
| 117DN | Outer Drive Plate | 1184503 | 117DN070VS |
| 119 | Shift Plate | 1184515 | 119 024KG |
| 124B | Bridge Cover Assembly | 1184550 | 124L070 |
| 128A | Shift Drive Plate | 1184566 | 128A024KG |
| 133 | Shifter Retaining Plate | 1184602 | 133 030VS |
| 134 | Gear Stud | 1192311 | 134 070VS |
| 141 | Cam Follower | 1184656 | 141 070 |
| 143 | Preset Screw | 1184674 | 143 070 |
| 149 | Rod Clamp Nut (2 req.) | 1184703 | 149 070 |
| 154 | Shim- Gear Stud | 1184719 | 154 080 |
| 154A | Shim- Spool (as required) | 1184719 | 154 080 |
| 154B | Shim- Spool (as required) | 1253919 | 154 080-5 |
| 156 | Sealed Drag Cover Asm | 1184739 | 156N050VS |
| 156A | Drag Cover Lock Pin | 1184752 | 156A030VS |
| 156B | Drag Cover Lock Plate | 1184756 | 156B030VS |
| 161 | Locating Pin Asm (2 req) | 1192369 | 161C030VSW |
| 171 | Shift Plunger | 1184811 | 171 015KG |
| 172 | Shift Button, Metal | 1226062 | 172N030VS |
| 172A | Gear Stud Spring Spacer | 1192378 | 172A070VS |
| 173 | Retaining "C" Ring | 1184839 | 173 080VS |
| 173A | Shifter Catch Holder | 1184848 | 173A030VS |
| 173B | Shifter Catch Plate (2 req.) | 1184835 | 173 030VS |
| 183 | Frame Asm W/Pins (GOLD) | 1192397 | 183 070VS |
| 183 | Frame Asm W/Pins (SILVER) | 1390207 | 183 070VSSLV |
| 195 | Spiral Retaining Ring | 1184954 | 195 024KG |
| 195A | Retaining "E" Ring | 1184955 | 195 040 |
| 264 | Stand Gasket | 1192542 | 264 030VS |
| 302D | Eccentric Click Plate Spring | 1185255 | 302D525MAG |