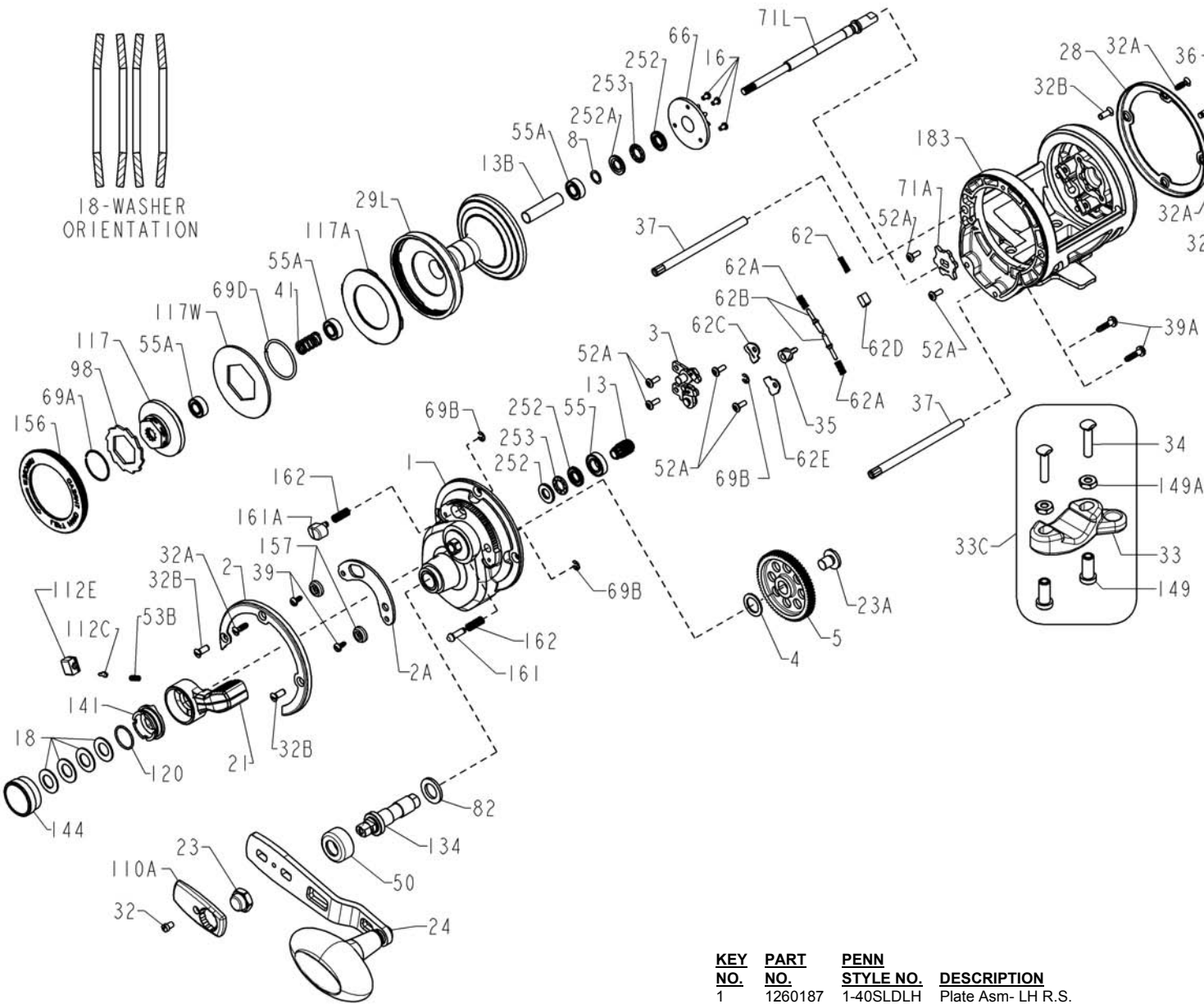




PARTS LIST FOR MODEL SQL40LDLH

REEL ASM NO 1238641



KEY NO.	PART NO.	PENN STYLE NO.	DESCRIPTION
13	1239238	13-40SLD	Pinion
13B	1257816	13B-30SLD	Sleeve, Spindle
16	1181587	16-975LD	Screw (3 Req)
18	1239239	18-40SLD	Washer, Spring (4 Req)
21	1260193	21-40SLDLH	Lever- LH Drag
23	1229462	23-TRQ40	Nut, Handle
23A	1181930	23-6CH	Screw, Main Gear
24	1229501	24-TRQ40	Assembly, Handle
28	1239241	28-40SLD	Ring, Left Side
29L	1260195	29L-40SLDLH	Spool- LH
32	1182708	32-15	Screw, Handle Lock
32A	1238924	32-30SLD	Screw (3 Req)
32B	1182722	32-310	Screw (4 Req)
33	1182754	33-113	Rod Clamp
33C	1238925	33C 30SLD	Kit, Rod Clamp
34	1182788	34-45	Screw, Rod Clamp (2 Req)
35	1238939	35-30SLD	Tongue, Click
36	1238940	36-30SLD	Button, Click
37	1238941	37-30SLD	Bar, Spacer (2 Req)
39	1238942	39-30SLD	Screw (2 Req)
39A	1258668	39A-30SLD	Screw Thread Cutting (2 Req)
41	1238943	41-30SLD	Spring
50	1238944	50-30SLD	Shield, Gear Stud
52A	1183843	52A-260	Screw (6 Req)
53B	1183848	53B-5600	Spring Drag Knob Click
55	1238945	55-30SLD	Bearing (14x7x4)
55A	1238912	55A-50SLD	Bearing (12x6x4) (3 Req)
62	1236596	62-TRQ40	Spring
62A	1184033	62A-310	Spring (2 Req)
62B	1184037	62B-525	Pin, Click (2 Req)
62C	1238914	62C-30SLD	Plate, Click Retaining
62D	1230189	62A-TRQ40	Block, Click Button Locator
62E	1184041	62C-321LH	Plate, Click Retaining
66	1238915	66-30SLD	Ratchet, Click
69A	1238916	69A-30SLD	Ring, Retaining, Round
69B	1184125	69B-50	Ring, Retaining, "E" (3 Req)
69D	1238917	69D-30SLD	Ring, Retaining, Round
71A	1238918	71A-30SLD	Plate, Spindle Locking
71L	1238979	71L-30SLD	Spindle
82	1184220	82-25	Washer
98	1238980	98-30SLD	Ratchet
110A	1238983	110A-30SLD	Plate, Handle Nut Locking
112C	1238984	112C-30SLD	Pin, Click
112E	1238985	112E-30SLD	Housing Lever Click
117	1239245	117-40SLD-1	Drive Plate
117A	1239247	117A-40SLD	Drag Washer, Asm
117W	1239249	117W-40SLD	Drag Washer, Metal
120	1238994	120-30SLD	O-Ring
134	1238995	134-30SLD	Gear Stud
141	1260197	141-40SLDLH	Follower- LH Cam
144	1257831	144-40SLD	Knob, Preset
149	1184702	149-45	Rod Clamp Nut (2 Req)
149A	1184706	149-200	Hex Nut (2 Req)
156	1260199	156-40SLDLH	Cover- LH Drag
157	1239002	157-30SLD	Bushing, Quadrant (2 Req)
161	1239011	161-30SLD	Button, Free Spool
161A	1184787	161-40	Button, Strike
162	1184795	162-50	Spring (2 Req)
183	1260201	183-40SLDLH	Frame Asm- LH
252	1257817	252-30SLD	Washer, Thrust (3 Req)
252A	1257818	252A-30SLD	Washer, C'bore Thrust
253	1257829	253-30SLD	Asm, Ball and Cage (2 Req)