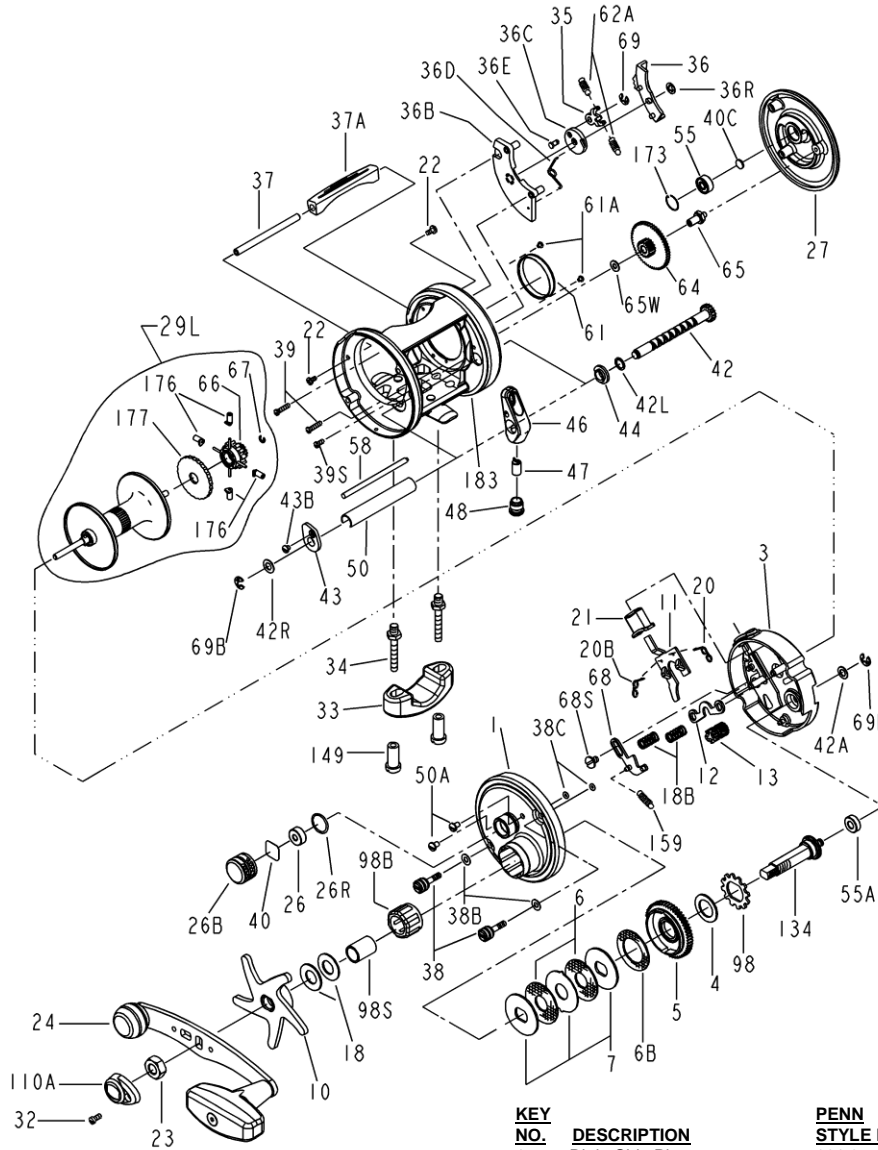




INTERNATIONAL 975 (1151056) SPECIFICATIONS AND PARTS LIST

Congratulations on the purchase of your new Penn International® baitcaster! For general features, operating instructions, casting control information, maintenance, lubrication and servicing, please refer to the main International® manual (featuring the 965). Keep this sheet for reference to 975 part numbers and specifications. Good fishing!



KEY NO.	DESCRIPTION	PENN STYLE NO.	PART NO.
1	Right Side Plate	001 975	1180561
3	Inner R.S. Plate	003 975	1180740
4	Fibre Washer	004 155	1180772
5	Main Gear	005 975	1180889
6	Drag Washer HT-100 (2 req.)	006 309	1180917
6B	Drag Washer HT-100	006B965	1180968
7	Metal Drag Washer (Set of 3)	007C975	1236093
10	Star Drag	010 975	1181216
11	Eccentric Jack	011 975	1181255
12	Yoke	012 965	1181277
13	Pinion	013 975	1181362
18	Disc Clutch Spring (2 req.)	018 975	1181628

KEY NO.	DESCRIPTION	PENN STYLE NO.	PART NO.
18B	Yoke Spring (2 req.)	018B965	1181631
20	R.S. Jack Spring	020 965	1181798
20B	L.S. Jack Spring	020B965	1181818
21	Clutch Release Button	021 975	1181887
22	Post Screw (2 req.)	050 716	1183767
23	Handle Nut	023 555	1181950
24	Handle Assembly	024 555	1182048
26	Spool Bushing	026 965	1182130
26B	Spool Tension Cap	026B965	1182142
26R	Tension Cap 'O' Ring	026R965	1182147
27	Left Side Plate	027 975	1182294
29L	Spool Assembly	029L975	1182564
32	Handle Cap Screw	032 015	1182708
33	Rod Clamp	033 113	1182754
34	Rod Clamp Screw (2 req.)	034 975	1182839
35	Click Tongue	035 965	1182950
36	Click Button	036 975	1183023
36B	Click Housing	036B975	1183035
36C	Click Wheel	036C965	1183044
36D	Click Wheel Spring	036D965	1183045
36E	Click Tongue Pin	036E965	1183046
36R	Retaining Ring	036R965	1183050
37	Thumb Bar Post	037 975	1183094
37A	Thumb Bar	037A975	1183117
38	Take-Apart Screw (2 req.)	038N965	1183172
38B	Side Plate Washer (2 req.)	038BN965	1183169
38C	Screw 'O' Ring (2 req.)	038CN965	1183170
39	L.S. Plate Screw (2 req.)	039 965	1183242
39S	L.S. Plate Short Screw	039S965	1183261
40	Metal Thrust Washer	040C965	1183308
40C	Metal Thrust Washer	040C310	1183314
42	Worm Shaft	042 975	1183360
42A	Metal Washer	042R965	1183367
42L	L.S. Worm Shaft Washer	042L965	1183364
42R	R.S. Worm Shaft Washer	042R965	1183367
43	R.S. Worm Shaft Bushing	043 965	1183415
43B	Worm Bushing Screw	043B965	1183429
44	L.S. Worm Shaft Bushing	044 975	1183467
46	Line Guide	046 975	1183583
47	Pawl	047 975	1183677
48	Pawl Cover Screw	048 965	1183719
50	Worm Shield	050 975	1183776
50A	R.S. Plate Screw (2 req.)	050 716	1183767
55	Ball Bearing	055 113H	1183880
55A	Gear Stud Bushing	055A965	1183900
58	Line Guide Post	058 975	1183969
61	Brake Drum	061 965	1184019
61A	Brake Drum Screw (2 req.)	043B965	1183429
62A	Click Spring (2 req.)	062A965	1184035
64	Idler Gear	064 975	1184072
65	Idler Gear Pin	065 965	1184086
65W	Idler Gear Washer	065W965	1184087
66	Spool Gear Click Ratchet	066M965	1184099
67	Lock Ring	067 016S	1184103
68	Shift Arm	068 965	1184112
68S	Shift Arm Screw	068S965	1184113
69	Retaining Ring	069B050	1184125
69B	Retaining Ring (2 req.)	069B600	1184129
98	Trip Ratchet	098 965	1184370
98B	Roller Bearing	098B525	1184377
98S	Clutch Shaft Bearing	098S525MAG2	1239047
110A	Handle Nut Cap	110A555	1184442
134	Gear Stud	134 975	1184626
149	Rod Clamp Nut (2 req.)	149 045	1184702
159	Shift Arm Spring	159 965	1184783
173	L.S. Bearing Retainer	173 965	1184847
176	Anti-Backlash Brakes (4 req.)	176 965	1184853
177	Brake Selection Knob	177 965	1184856
183	Frame Assembly	183 975	1184930

LINE CAPACITY	GEAR RATIO	WEIGHT
340 YDS / 15 LBS	4.5:1	15 OZ
310 METERS / 0.40 MM		425 GRAMS