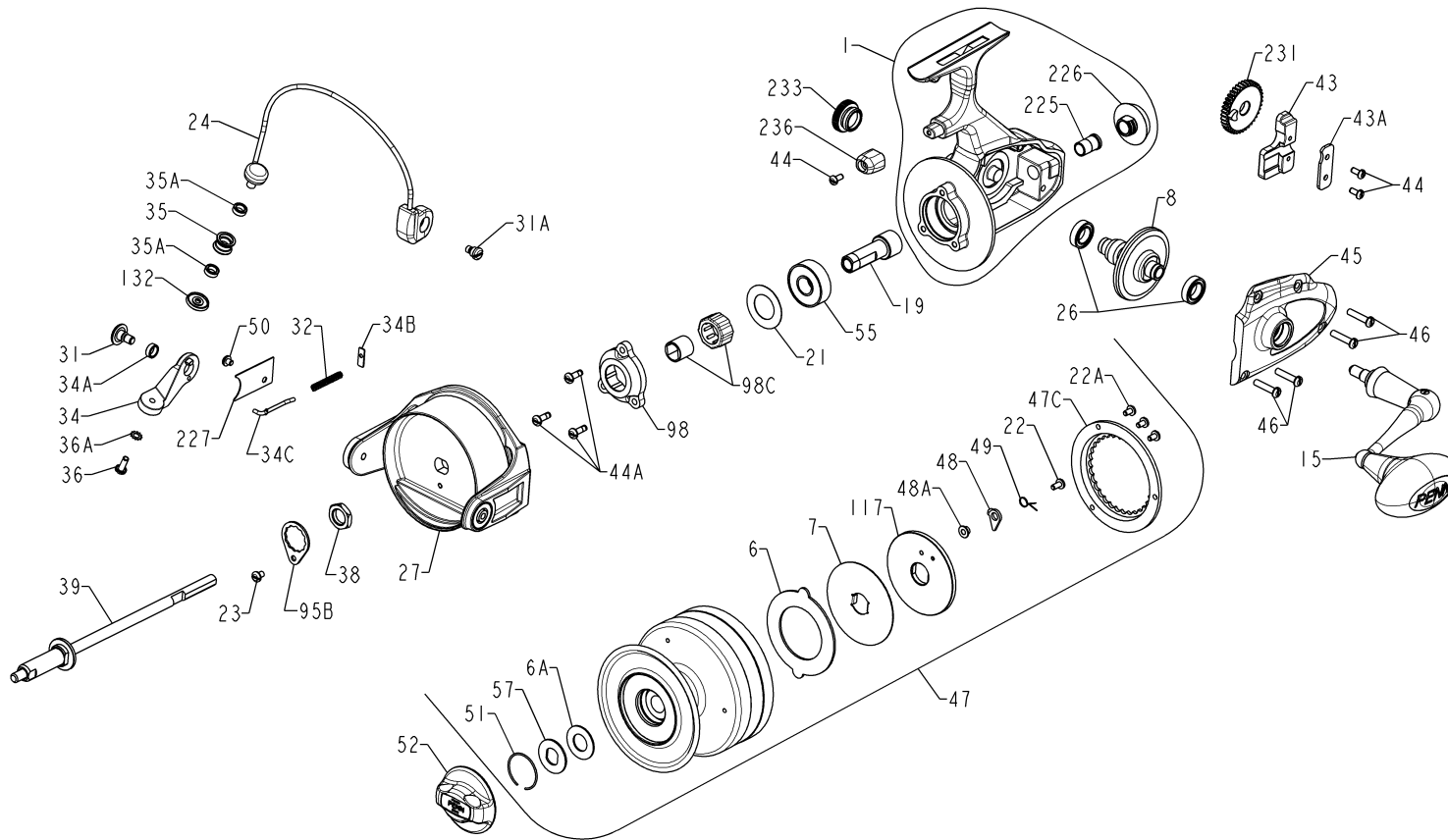


**PENN** PARTS LIST FOR MODEL 950SSM

REEL ASSEMBLY NO. 1152072



KEY NO.	ORDER PART NO.	PENN STYLE NO.	DESCRIPTION
1	1190851	001 950M	Housing Assembly
6	1190981	006 950M	Drag Washer HT-100
6A	1180906	006 060	Drag Washer HT-100
7	1191007	007 950M	Metal Drag Washer
8	1181137	008N9500	Main Gear
15	1181512	015N950M	Handle Assembly
19	1181722	019 950M	Pinion
21	1192639	021 750M	Bearing Cover
22	1181926	022 9500	Spool Click Screw
22A	1181929	022A9500	Drag Cover Screw (3 Req.)
23	1181953	023 750	Locking Plate Screw
24	1182079	024 950M	Bail Assembly
26	1182133	026A2.5FR	Bearing Ball (2 Req.)
27	1182290	027 950M	Rotor Assembly
31	1182679	031 750M	Bail Arm Screw
31A	1182689	031A550G	Bail Cam Screw
32	1182741	032 950M	Bail Spring
34	1182838	034 950M	Bail Arm
34A	1182847	034A750	Bail Arm Bushing
34B	1182848	034B750M	Pivot Plate
34C	1191659	034C950M	Pivot Arm
35	1182949	035 950M	Line Roller
35A	1182951	035A950M	Ball Bearing (2 Req.)
36	1183016	036 750	Bail Stud Screw
36A	1183032	036A750	Lock Washer
38	1183160	038 9500	Rotor Nut
39	1183241	039 950M	Spool Shaft
43	1183413	043 950M	Crosswind Block
43A	1183427	043A750	Crosswind Plate
44	1183462	044 750	Screw (3 Req.)
44A	1183459	044 710	Screw (3 Req.)
45	1191885	045 950M	Housing Cover
46	1183581	046 9500	Cover Screw (4 Req.)
47	1191951	047 950M	Spool Assembly
47C	1183689	047C9500	Drag Cover
48	1183718	048 9500	Click Tongue
48A	1183724	048A9500	Click Tongue Washer
49	1183743	049 9500	Click Tongue Spring
50	1183766	050 712	Screw
51	1183795	051 704	Retaining Ring
52	1183837	052 750	Drag Knob Assembly
55	1183876	055 050	Ball Bearing
57	1183937	057 704	Drag Washer, Keyed
95B	1192187	095B950M	Rotor Locking Plate
98	1192202	098 750M	Clutch Housing
98C	1192219	098C950M	Clutch Bearing And Sleeve
117	1192255	117 950M	Drive Plate (With Pin)
132	1184601	132 950M	Roller Washer
225	1185008	225 9500	Spool Shaft Bushing
226	1192469	226 950M	Rear Cap
227	1192491	227 950M	Bail Spring Cover
231	1185097	231 950M	Crosswind Gear
233	1185145	233 550G	Bearing Cover
236	1192531	236 750M	Tripp Bumper