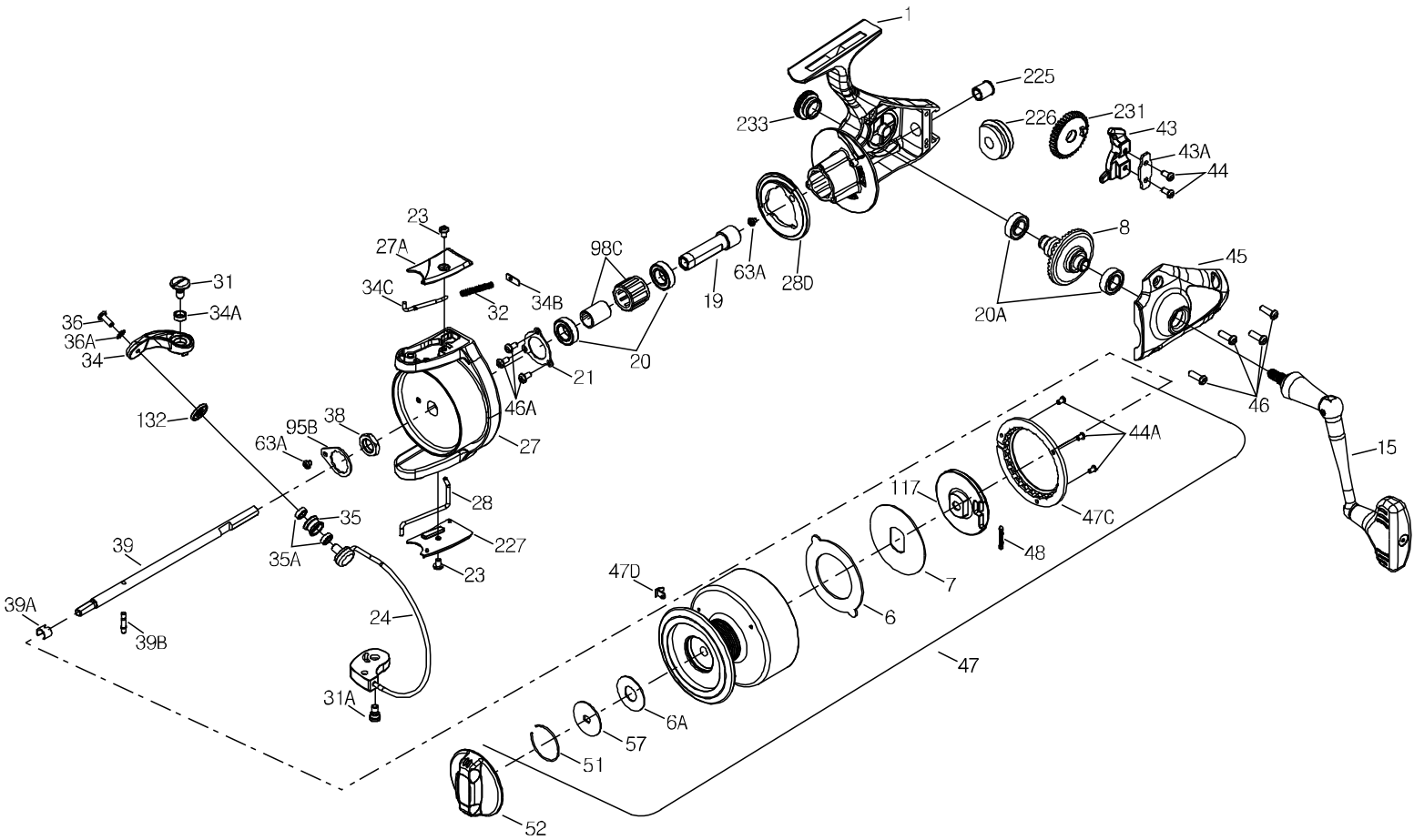




PARTS LIST FOR MODELS 760

REEL ASSEMBLY NO. 1152052



KEY NO.	PENN STYLE NO.	ORDER NO.	DESCRIPTION
1	001 760	1190846	Housing Asm
6	006 950M	1190981	Drag Washer
6A	006 309	1180917	Drag Washer
7	007 760	1191005	Drag Washer
8	008 760	1191022	Main Gear
15	015N750M	1191192	Handle Asm
19	019 760	1191245	Pinion
20	020 760	1192614	Ball Bearing (2 Req)
20A	020 6500	1181789	Ball Bearing (2 Req)
21	021 760	1192640	Bearing Retainer
23	023 750	1181953	Screw (2 Req)
24	024 760	1191318	Bail Wire Asm
27	027 760	1191427	Rotor Cup
27A	027A760	1191455	Bail Pivot Cover
28	028 760	1191492	Trip Lever
28D	028D760	1191510	Friction Ring
31	031 750M	1182679	Bail Arm Screw
31A	031A550G	1182689	Bail Cam Screw
32	032 750M	1182740	Spring
34	034 760	1191635	Bail Arm
34A	034A750	1182847	Bail Arm Bushing
34B	034B5600	1182856	Pivot Plate
34C	034C760	1191658	Pivot Arm
35	035 950M	1182949	Line Roller
35A	035A950M	1182951	Ball Bearing (2 Req)
36	036 750	1183016	Bail Stud Screw
36A	036A750	1183032	Lock Washer
38	038 9500	1183160	Rotor Nut
39	039 760	1191758	Spool Shaft
39A	039A760	1191764	Locating Pin Clip
39B	039B760	1191765	Locating Pin
43	043 760	1191810	Crosswind Block
43A	043A750	1183427	Crosswind Plate
44	044 750	1183462	Screw (2 Req)
44A	044 5600	1183455	Screw (3 Req)
45	045 760	1191880	Housing Cover
46	046 750	1183576	Screw (4 Req)
46A	046A704	1183586	Screw (3 Req)
47	047 760	1191948	Spool Assembly
47C	047C760	1191958	Drag Cover
47D	047D5600	1183690	Line Clip
48	048 5600	1183710	Click Tongue
51	051 760	1191981	Retainer Ring
52	052 760	1192001	Drag Knob Asm
57	057 760	1192695	Drag Washer
63A	063A2.5FR	1184057	Screw (2 Req)
95B	095B950M	1192187	Nut Lock
98C	098C760	1192218	Clutch Sleeve Asm
117	117 760	1192715	Drive Plate
132	132 950M	1184601	Roller Washer
225	225 760	1192453	Rear Bushing
226	226 760	1192465	REAR Cap
227	227 760	1192488	Bail Trip Cover
231	231 760	1192508	Crosswind Gear
233	233 550G	1185145	Bearing Cover