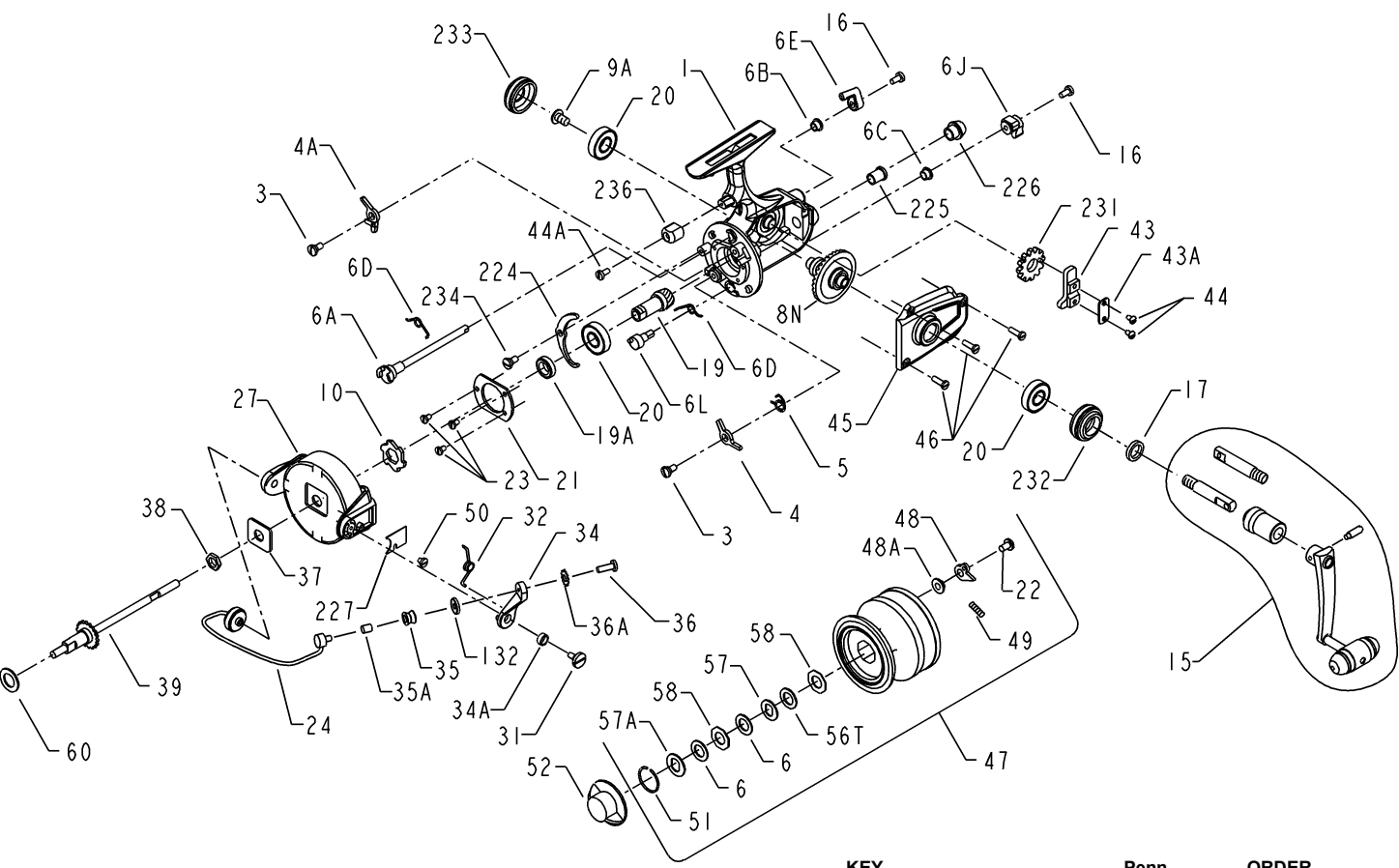


PENN PARTS LIST FOR MODELS 750SS AND 850SS



NOT ALL PARTS ARE AVAILABLE

KEY NO.	DESCRIPTION	Penn STYLE NO.	ORDER PART NO.
10	Ratchet	010 750	1181210
15	Handle Assembly	015 750N	1191150
16	Eccentric Screw (2 req)	016 910	1181585
17	Seal Washer	017 750	1181603
19	Pinion	019 750	1181715
19A	Pinion Spacer	019A750	1181738
20	Bearing (3 req)	020 704	1181790
21	Bearing Cover	021 750	1181880
22	Spool Click Screw	022 750	1181922
23	Bearing Cover Screw (3 req)	023 750	1181953
24	Bail Wire	024 750	1182065
*24	*Bail Wire	*024 850	*1182069
27	Rotor	027 750	1182280
*27	*Rotor	*027 850	*1182282
31	Bail Arm Screw	031 750M	1182679
32	Bail Arm Spring	032 750	1182739
34	Bail Arm	034 750	1182832
34A	Bail Arm Bushing	034A750	1182847
35	Line Roller	035 750	1182942
35A	Roller Sleeve	035A704	1182962
36	Bail Stud Screw	036 750	1183016
36A	Lock Washer	036A750	1183032
37	Rotor Washer	037 706	1183084
38	Rotor Nut	038 710	1183157
39	Crosswind Shaft	039 750	1183235
43	Crosswind Block	043 750	1183405
43A	Crosswind Block Plate	043A750	1183427
44	Crosswind Block Screw (2 req)	044 750	1183462
44A	Trip Bumper Screw	044 750	1183462
45	Housing Cover	045 7500	1183533
46	Housing Cover Screw (3 req)	046 750	1183576
47	Spool Complete	047 7500	1183667
*47	*Spool Complete	*047 8500	*1183670
48	Click Tongue	048 750	1183715
48A	Click Tongue Washer	048A750	1183722
49	Click Tongue Spring	049 710	1183741
50	Bail Spring Cover Screw	050 712	1183766
51	Retaining Ring	051 704	1183795
52	Drag Knob	052 750	1183837
56T	Drag Washer (Teflon®)	056T704	1183918
57	Drag Washer (Keyed) Small	057 704	1183937
57A	Drag Washer (Keyed) Small	057A750	1183942
58	Metal Washer (Octagon)(2 req)	058 704	1183960
60	Thrust Washer	060 750	1184007
132	Roller Washer	132 750	1184595
224	Transfer Lever	224 750	1184994
225	Crosswind Shaft Bushing	225 750	1185007
226	Bushing Cap Cover	226 750	1185019
227	Bail Spring Cover	227 750	1185053
231	Crosswind Gear	231 750	1185093
232	Bearing Cover (Open)	232 750	1185124
233	Bearing Cover (Closed)	233 750	1185150
234	Transfer Lever Screw	234 750	1185153
236	Trip Bumper	236 750	1185156
*	*Power Handle	*300 7500	*1185246
	*Not Shown		

KEY NO.	DESCRIPTION	Penn STYLE NO.	ORDER PART NO.
1	Housing	001 7500	1180550
*1	*Housing	*001 8500	*1180552
3	Dog Screw(2 req)	003 750	1180736
4	Dog	004 750	1180787
4A	Silent Dog	004A750	1180801
5	Click Dog Spring	005 704	1180877
6	Drag Washer(2 req)	006 060	1180906
6A	Upper Eccentric	006A750	1180959
6B	Upper Eccentric Liner	006B750	1180967
6C	Silent Eccentric Screw	006B700Z	1180965
6D	Eccentric Spring(2 req)	006D710	1180977
6E	Anti-Reverse Lever	006E750	1180987
6J	Silent Dog Lever	006J750	1180996
6L	Silent Eccentric	006L750	1180998
7*	*Pinion Bushing	*007 750	*1181023
8N	Main Gear	008N750	1181136
9A	Standard Drive Screw	009A750	1181171
	*Not Shown		