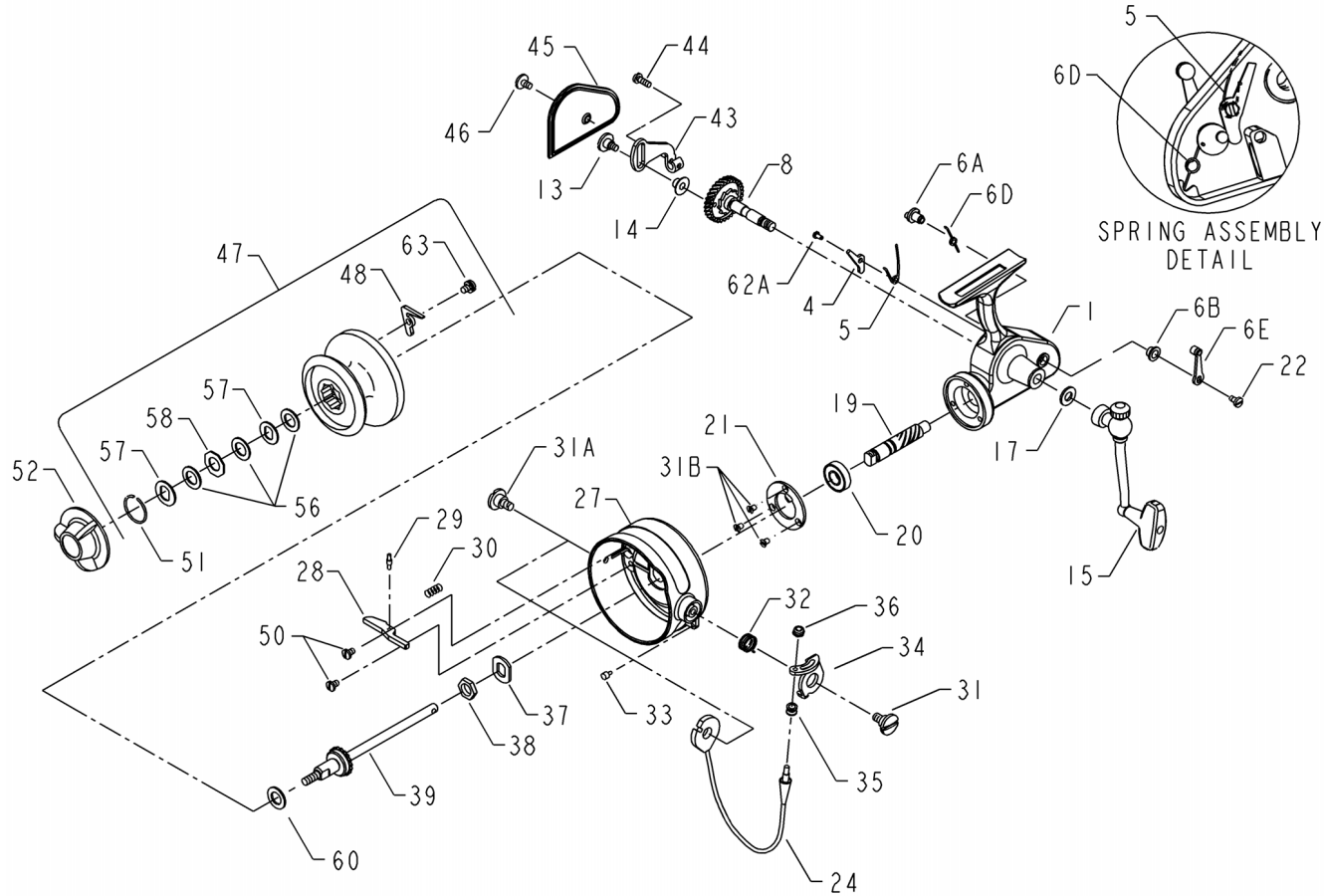




# PARTS LIST FOR MODELS 712Z AND 713Z



<u>KEY NO.</u>	<u>DESCRIPTION</u>	<u>PART NO.</u>
1	Housing w/Bushing	001 710Z
*	*Housing w/Bushing	*001 713Z
4	Dog	004 710
5	Dog Spring	005 710
6A	Eccentric	006A710
6B	Eccentric Liner	006B700Z
6D	Eccentric Spring	006D710
6E	Eccentric Lever	006E710
8	Main Gear w/Ratchet	008 712
*	*Main Gear w/Ratchet	*008 713
13	Crosswind Screw	013 710
14	Crosswind Roller	014 710
15	Handle Assembly (Complete)	015 710Z
*	*Handle Assembly (Complete)	*015 711
17	Handle Washer	017 710
19	Pinion Gear	019 712
20	Pinion Bearing	020 704
21	Bearing Retainer	021 712
22	Eccentric Screw	022 109
24	Bail Wire	024 712
27	Rotor Cup	027 712Z
28	Bail Release Arm	028 712
29	Bail Release Pin	029 712
30	Arm Release Spring	030 700
31	Bail Arm Screw	031 710
31A	Bail Screw	031A712
31B	Bail Cover Screw (3 req.)	031 019
32	Bail Spring	032 710
33	Bail Arm Bumper	033R712
34	Bail Arm	034 712
35	Line Roller	035 720
36	Bail Lock Nut	036 700
37	Rotor Cup Washer	037 710
38	Rotor Cup Nut	038 710
39	Spool Shaft Assembly	039 712
43	Crosswind Arm	043 710
*	*Crosswind Arm	*043 711
44	Crosswind Screw	044 710
45	Housing Plate	045 712Z
*	*Housing Plate	*45 713Z
46	Housing Plate Screw	046 710
47	Spool Assembly (Complete)	047 712Z
48	Click Tongue	048 720
50	Release Arm Screw (2 req.)	050 712
51	Retaining Spring	051 710
52	Drag Knob	052 710Z
56	Drag Washer HT-100 (3 req.)	056 710
57	Metal Keyed Washer (2 req.)	057 720
58	Metal Washer (Octagon)	058 720
60	Rear Drag Washer (Teflon®)	060 712
62	Dog Screw	062A716
63	Click Screw	63 349

\* Not Shown