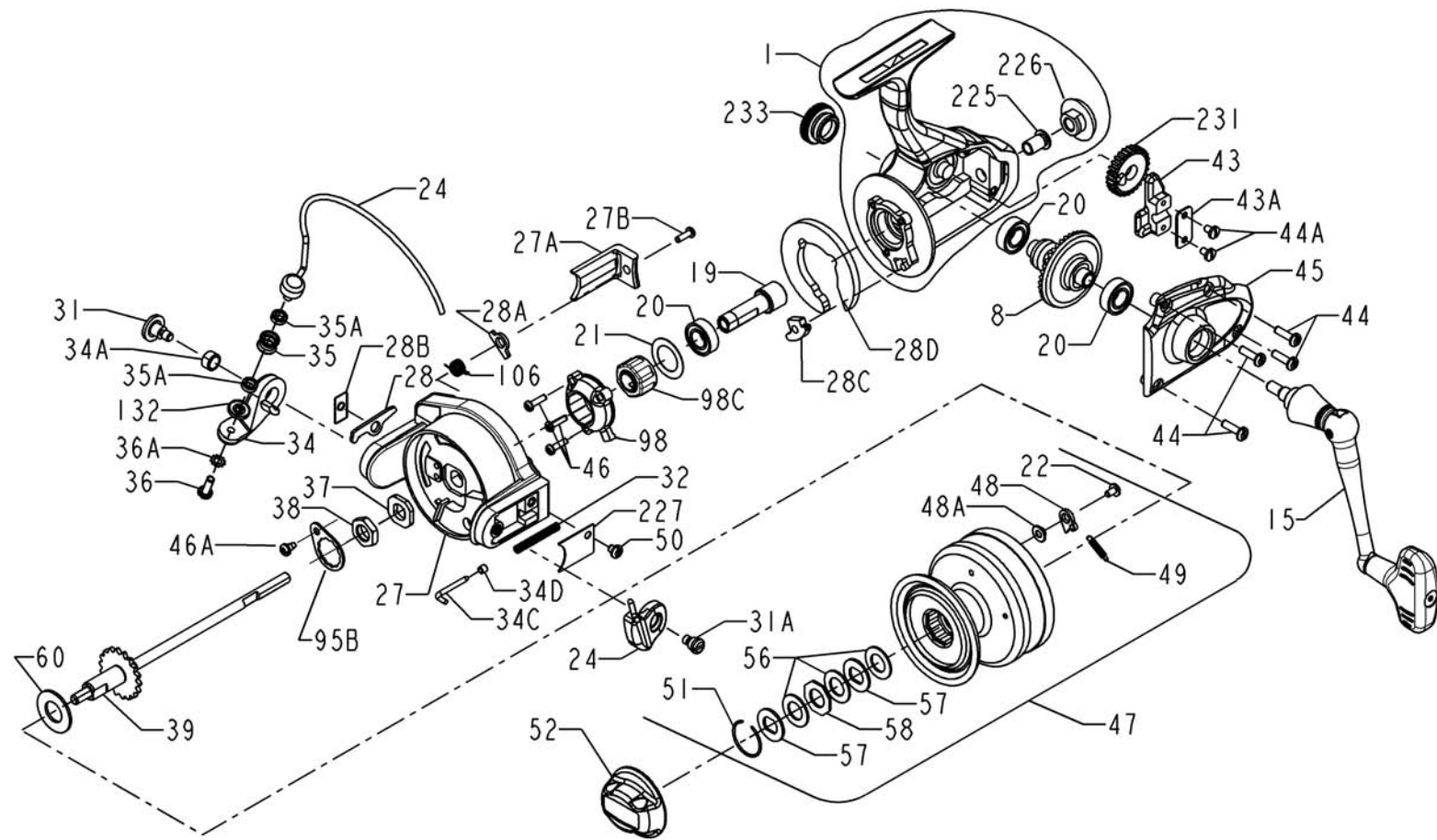




PARTS LIST FOR MODEL 550SSG

REEL PART NO. 1152062



KEY NO.	PART NO.	ORIGINAL PENN NO.	DESCRIPTION
1	1180529	001 550G	Housing Assembly
8	1181134	008N5500	Main Gear
15	1181481	015 550G	Handle Assembly
19	1191243	019 550G	Pinion
20	1181792	020 722	Ball Bearing (3 req)
21	1192638	021 550G	Bearing Cover
22	1186969	048B750M	Spool Click Screw
24	1191312	024 550G	Bail Wire Assembly
*27	1191418	*027 550G	*Rotor Cup Assembly
27A	1182326	027A5500	Bail Trip Cover
27B	1182338	027B420	Rotor End Screw
28	1182401	028 5500	Trip Lever
28A	1182426	028A440	Cam Lever
*28B	1191501	*028B550G	*Trip Lever Washer
28C	1182451	028C440	Trip Cam
28D	1191509	028D550G	Friction Ring
31	1182671	031 550	Bail Arm Screw
31A	1182689	031A550G	Bail Cam Screw
32	1182732	032 5600	Bail Spring
34	1182819	034 450	Bail Arm
34A	1182845	034A550	Bail Arm Bushing
34C	1191655	034C550G	Pivot Arm
34D	1191663	034D550G	Pivot Arm Bushing
35	1182931	035 550G	Line Roller
35A	1182965	035A8500J	Ball Bearing (2 req)
36	1183016	036 750	Bail Stud Screw
36A	1183032	036A750	Lock Washer
37	1183077	037 450	Rotor Washer
38	1183153	038 550	Rotor Nut
39	1191755	039 550G	Spool Shaft Assembly
43	1191808	043 550G	Crosswind Block
43A	1183425	043A550	Crosswind Block Plate
44	1183458	044 704	Cover Screw (4 req)
44A	1186969	048B750M	Crosswind Screw (2 req)
45	1191872	045 550G	Housing Cover Assembly
46	1183567	046 4300	Screw (3 req)
46A	1224252	046A550G	Lock Plate Screw
47	1191940	047 550G	Spool Assembly
48	1183715	048 750	Click Tongue
48A	1183722	048A750	Click Tongue Washer
49	1183741	049 710	Click Tongue Spring
50	1183766	050 712	Bail Spring Cover Screw
51	1183796	051 710	Retaining Ring
52	1183823	052 550G	Drag Knob Assembly
56	1183907	056 710	Drag Washer HT-100(3 req)
57	1183938	057 710	Metal Keyed Washer(2 req)
58	1183961	058 710	Drag Washer
60	1183999	060 550	Thrust Washer
95B	1184312	095B070	Rotor Nut Lock Plate
98	1192201	098 550G	Clutch Retainer
98C	1192216	098C550G	Clutch / Sleeve Asm
106	1184432	106 5500	Lever Spring
132	1184589	132 5500J	Roller Washer
225	1185005	225 5500	Spool Shaft Bushing
226	1192462	226 550G	Rear Cap
227	1185045	227 440	Bail Spring Cover
231	1192505	231 550G	Crosswind Gear
233	1185145	233 550G	Bearing Cover Assembly

*When ordering 027 550G you must also order 028B550G.