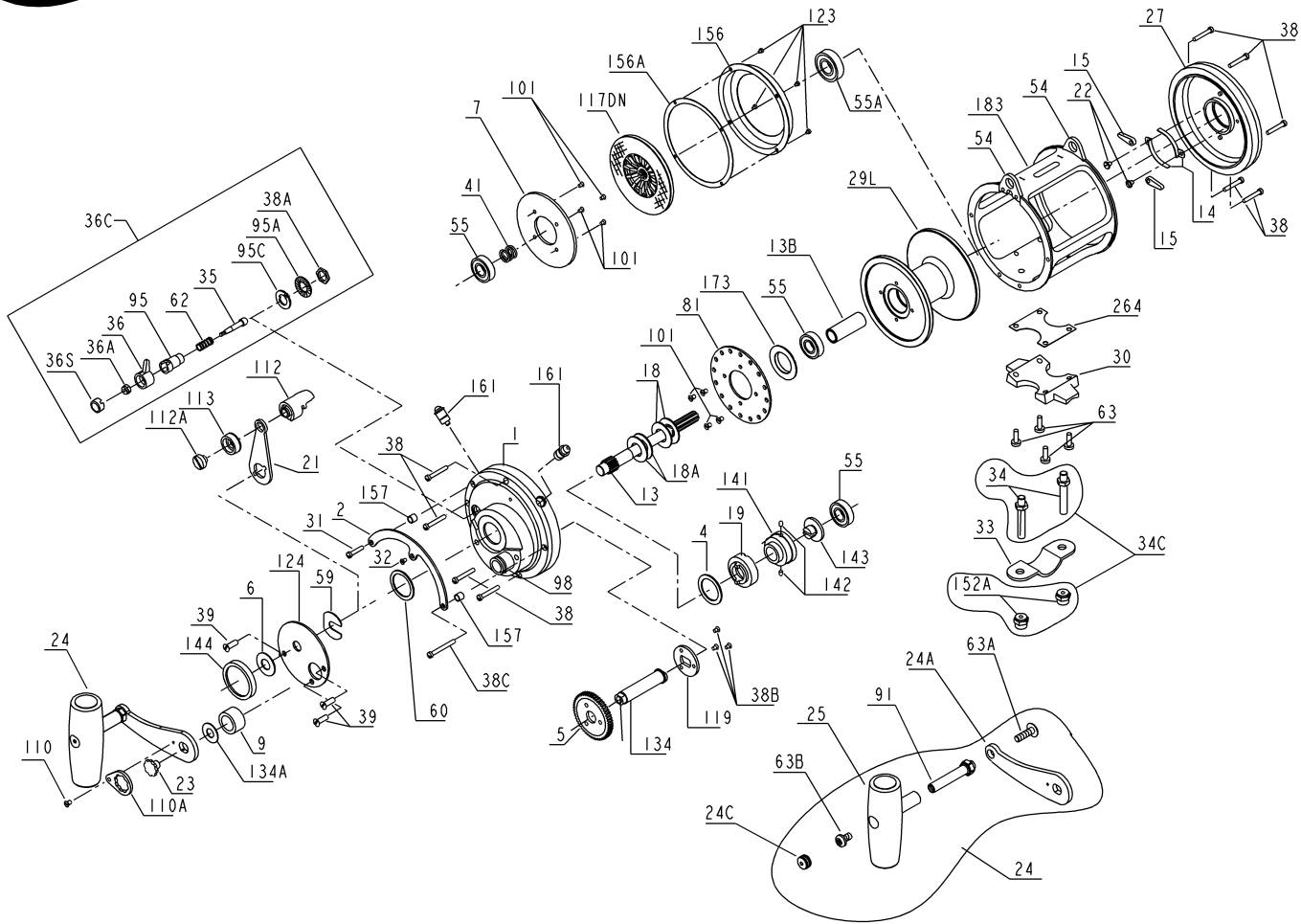




PARTS LIST FOR MODELS 50T AND 50TW



KEY NO.	DESCRIPTION	50T PART NO.	50TW PART NO.
24	Handle	024 050T	024 050T
24A	Handle Blank Only	024 050T-1	024 050T-1
24C	Handle Knob Cap	024C050	024C050
25	Handle Knob	025 050	025 050
27	L.S. Plate	027 050T	027 050T
29L	Spool	029L050T	029L050TW
30	Stand	030 050T	030 050T
31	Short Quadrant Screw	031T020	031T020
32	Center Quadrant Screw	032T020	032T020
33	Rod Clamp	033 114	033 114
	Ringed Rod Clamp (Optional)	*033R114	*033R114
34	Clamp Screws (2 req.)	034 050T	034 050T
34C	Rod Clamp Screw w/Nut	034C050T	034C050T
35	Click Tongue	035 050N	035 050N
36	Click Button	036N050	036N050
36A	Click Tongue Nut	036 700	036 700
36C	Click Assembly	036C050	036C050
36S	Click Button Cap	036S080ST	036S080ST
38	Frame Screw (9 req.)	038T050	038T050
38A	Click Bushing Nut	038 710	038 710
38B	Coupling Plate Screw (3 req.)	038N007	038N007
38C	Long Quadrant Screw	038T080	038T080
39	Bridge Cover Screw (3 req.)	039A080S	039A080S
41	L.S. Bearing Spring	041 050	041 050
*	Cam Housing Screw (2 req.)	046A704	046A704
54	Harness Lugs (2 req.)	054 050T	054 050T
55	Spool Bearings (3 req.)	055 050	055 050
55A	L.S. Bearing	055 080	055 080
59	Slotted Washer	059 050	059 050
60	Backing Washer	060 050	060 050
62	Click Spring	062 050	062 050
63	Stand Screw (4 req.)	063 030T	063 030T
63A	Long Screw	063A050	063A050
63B	Screw	063 050	063 050
81	Ratchet	081 050	081 050
91	Handle Rivet	091N050	091N050
95	Click Bushing	095 050	095 050
95A	Click Bushing Washer	095A020	095A020
95C	Click bushing Washer	095A050	095A050
98	Bridge Bushing	098 050TN	098 050TN
101	Drive Plate Screws (8 req.)	101 030	101 030
110	Handle Lock Screw	110 050	110 050
110A	Handle Locking Plate	110A050	110A050
112	Eccentric Lever Knob	112 050	112 050
112A	Eccentric Knob Screw	112A050	112A050
113	Eccentric Lever Cap	113 050	113 050
117DN	Drive Plate w/ Drag Washer	117DN050	117DN050
119	Main Gear Plate	119 050	119 050
123	Drag Cover Screws (4 req.)	123 050	123 050
124	Bridge Cover	124 050	124 050
*	Cam Housing	125 050	125 050
134	Gear Stud	134 050	134 050
134A	Gear Stud Washer	134A050	134A050
141	Cam Follower	141 050	141 050
142	Cam Follower Pins (2 req.)	142 050	142 050
143	Adjusting Screw	143 050	143 050
144	Preset Knob	144 050	144 050
152A	Rod Clamp Acorn Nuts (2 req.)	152A050T	152A050T
156	Drag Cover	156 050	156 050
156A	Drag Cover Seal	156A050	156A050
157	Quadrant Bushing (2 req.)	157 050	157 050
161	Locating Pin Bushing (2 req.)	161C070	161C070
173	Spool Bushing	173 050T	173 050T
183	Tube Frame	183 050T	183 050TW
264	Stand Gasket	264 030T	264 030T

KEY NO.	DESCRIPTION	50T PART NO.	50TW PART NO.
1	R.S. Plate Assembly	001 050TN	001 50TN
2	Quadrant Ring	002 050	002 050
4	Cam Thrust Washer	004 050	004 050
5	Main Gear	005 050	005 050W
6	Spacer Washer	006 155	006 155
7	Metal Drag Washer	007 050	007 050
9	Spacing Sleeve	009 030	009 030
13	Pinion Gear	013 50	013 050W
13B	Spool Sleeve	013B50T	013B50TW
14	Dog Spring (2 req.)	014 050	014 050
15	Dog (2 req.)	015 050	015 050
18	Disc Springs (2 req.)	018 050W	018 050W
18A	Disc Springs (2 req.)	018 050TW	018 050TW
19	Eccentric Cam	019 050W	019 050W
21	Eccentric Cam Lever	021 050	021 050
22	Dog Spring Screw (2 req.)	022 109	022 109
23	Handle Screw	023 114	023 114