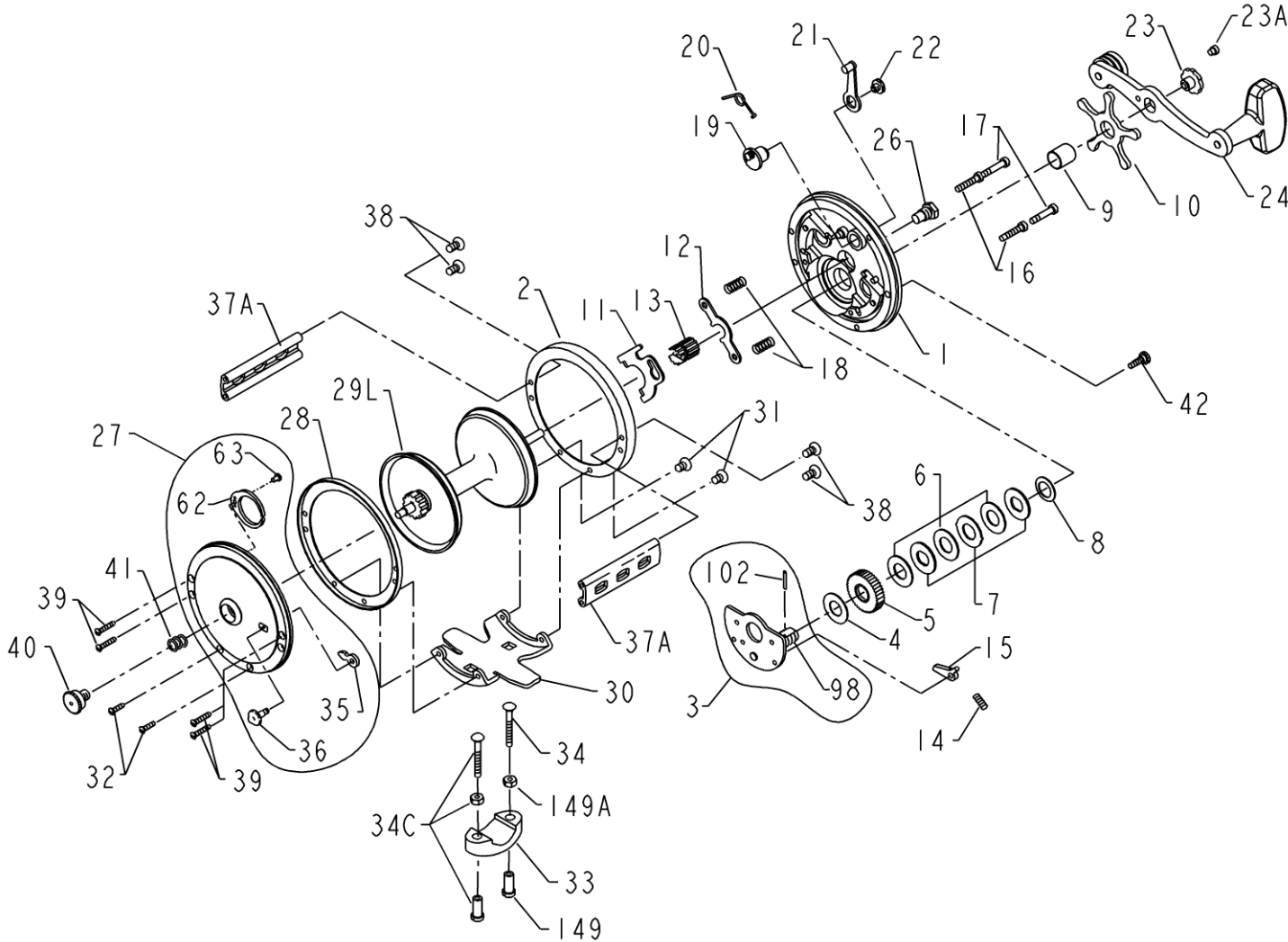




**PARTS LIST FOR MODEL 500L "JIGMASTER"  
REEL ASSEMBLY NO. 1152043**



<u>KEY NO.</u>	<u>PENNN STYLE NO.</u>	<u>ORDER PART NO.</u>	<u>DESCRIPTION</u>
1	001 500	1180517	Right Side Plate
2	002 250	1180633	Right Side Ring
3	003 500S	1180732	Bridge Assembly
4	004 060	1180755	Fiber Washer
5	005 500	1180871	Main Gear
6	006 309	1180917	Drag Washer (3 req.)
7	007C500	1181051	Metal Washer Set
8	008 060	1181056	Tension Spring
9	009 060480	1181145	Spacing Sleeve
10	010 505	1181200	Star Drag Wheel
11	011 099	1181230	Eccentric Jack
12	012 500	1181270	Pinion Yoke
13	013 500	1181347	Pinion
14	014 500	1181405	Dog Spring
15	015 500	1181476	Dog
16	016 060CH	1181565	Lower Bridge Screw (2 req.)
17	017 060CH	1181594	Upper Bridge Screw (2 req.)
18	018 060	1181615	Clutch Spring (2 req.)
19	019 250	1181676	Eccentric
20	020 112H2	1288916	Eccentric Spring
21	021 066	1181835	Eccentric Lever
22	022 099	1181909	Eccentric Screw
23	023 060	1181935	Handle Screw
23A	110 060	1184437	Handle Lock Screw
24	024 066	1181980	Handle
26	026 155	1182122	Right Side Bearing
27	027 500	1182243	Left Side Plate Assembly
28	028 250	1182379	L.S. Ring (Inner)
29L	029L500	1182546	Spool Assembly
30	030 200	1182634	Stand
31	031 019	1182654	Right Side Stand Screw (2 req.)
32	032 016CH	1182709	Left Side Stand Screw (2 req.)
33	033 113	1182754	Rod Clamp
*	*033R200	*1182783	*Ringed Rod Clamp (Optional)
34	034 045	1182788	Clamp Screw (2 req.)
34C	034C045	1182862	Rod Clamp Screw w/Nuts
35	035 060	1182901	Click Tongue
36	036 060CH	1182980	Click Button
37A	037A500S	1183113	Spacer Bar (2 req.)
38	038 007	1183134	R.S. Spacer Screw (4 req.)
39	039 005	1183180	L.S. Spacer Screw (4 req.)
40	040 060	1183267	Left Side Bearing
41	041 060	1183327	Bearing Spring
42	129 200	1184567	Take Apart Thumb Screw
62	062 500	1223801	Spring, Click
63	063 209	1184048	#3 Pan Hd Screw
98	098 505	1184361	Gear Sleeve
102	102 060	1184408	Gear Sleeve Pin
149	149 045	1184702	Clamp Nut (2 req.)
149A	149 200	1184706	Hex Nut (2 req.)
*		Not Shown	