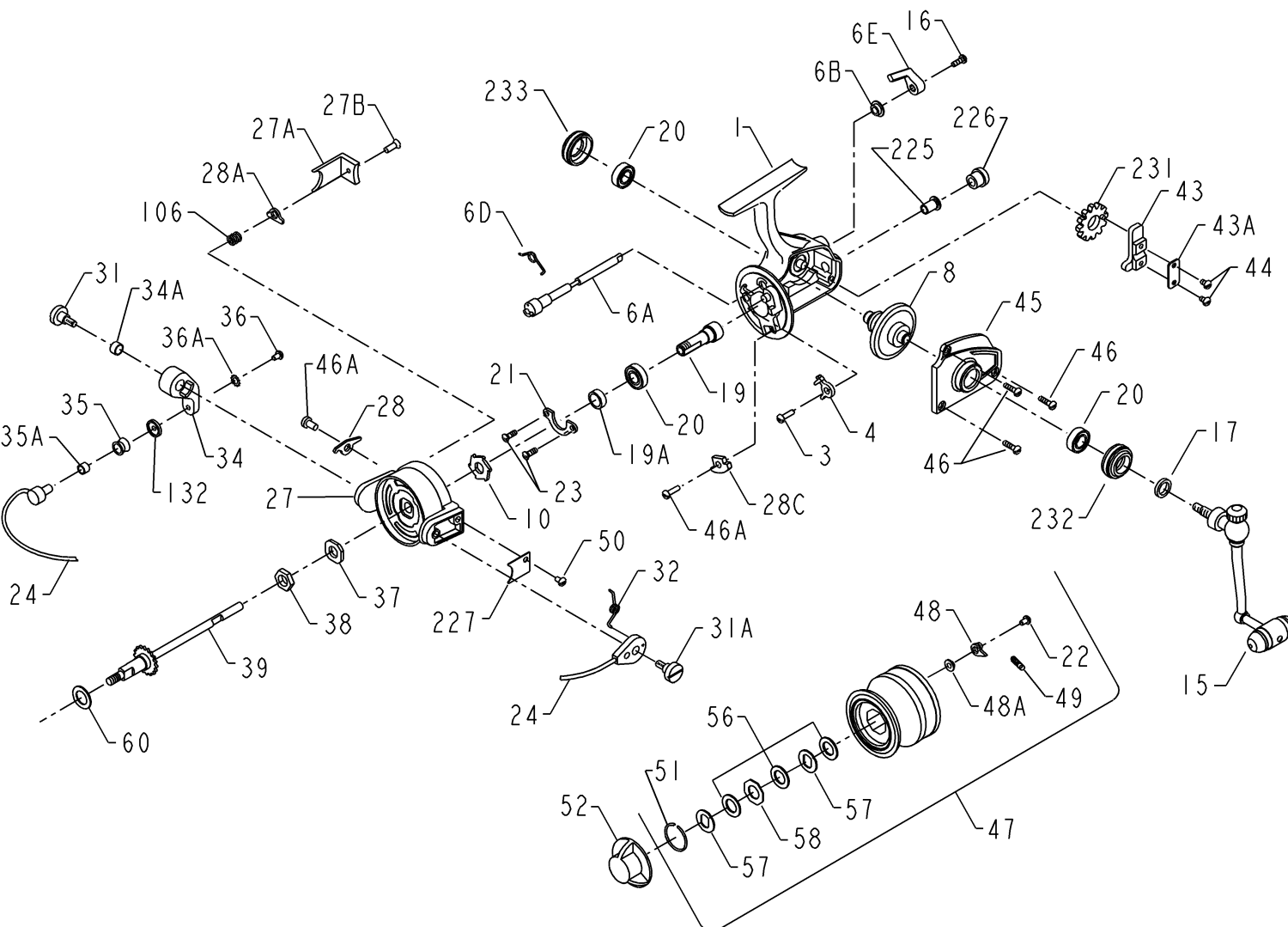


PENN PARTS LIST FOR MODELS 450SS



NOT ALL PARTS ARE AVAILABLE

KEY NO.	DESCRIPTION	Penn STYLE NO.	ORDER PART NO.
1	Housing	001 450	1180513
3	Dog Screw	003 750	1180736
4	Dog	004 450	1180779
6A	Eccentric	006A450	1180948
6B	Eccentric Bushing	006B750	1180967
6D	Eccentric Spring	006D710	1180977
6E	Eccentric Lever	006E750	1180987
8	Main Gear	008 450	1181086
10	Ratchet	010 550	1181203
15	Handle Assembly	015 450	N/A
16	Eccentric Screw	016 910	1181585
17	Seal Washer	017 450	N/A
19	Pinion	019 450	1181694
19A	Pinion Spacer	019A550	1181734
20	Ball Bearing	020 722	1181792
21	Bearing Cover	021 450	1181869
22	Spool Click Screw	022 750	1181922
23	Cover Screw (2 req.)	023 750	1181953
24	Bail Wire	024 450	1182037
27	Rotor	027 450	1182240
27A	Bail Trip Cover	027A450	1182322
27B	Rotor End Screw	046 4300	1183567
28	Trip Lever	028 450	1182395
28A	Cam Lever	028A450	1182427
28C	Trip Cam	028C450	1182452
31	Bail Arm Screw	031 550	1182671
31A	Trip Arm Screw	031A450	1182688
32	Bail Spring	032 450	1182727
34	Bail Arm	034 450	1182819
34A	Bail Arm Bushing	034A550	1182845
35	Line Roller	035 704	1182937
35A	Line Roller Bushing	035A704	1182962
36	Bail Stud Screw	036 750	1183016
36A	Lock Washer	036A750	1183032
37	Rotor Washer	037 450	1183077
38	Rotor Nut	038 550	1183153
39	Crosswind Shaft	039 450	1183216
43	Crosswind Block	043 550	1183395
43A	Crosswind Block Plate	043A550	1183425
44	Crosswind Block Screw	022 750	1181922
45	Housing Cover	045 450	1183504
46	Cover Screw (3 req.)	046 750	1183576
46A	Trip Cam Screw	046A704	1183586
47	Spool Complete	047 4500	1183640
48	Click Tongue	048 450	1183709
48A	Click Tongue Washer	048A750	1183722
49	Click Tongue Spring	049 710	1183741
50	Cover Screw	050 712	1183766
51	Retaining Ring	051 710	1183796
52	Drag Knob	052 550	1183824
56	Drag Washer	056 710	1183907
57	Metal Slot Washer	057 720	1183940
58	Metal Washer	058 710	1183961
60	Thrust Washer	060 450	1183995
106	Lever spring	106 450	1184431
132	Roller Washer	132 450	1184586
225	Shaft Bushing	225 550	1185004
226	Bushing Cap Cover	226 450	1185012
227	Bail Spring Cover	227 450	1185046
231	Crosswind Gear	231 450	1185081
232	Bearing Cover (Open)	232 650	1185123

N/A = NOT AVAILABLE