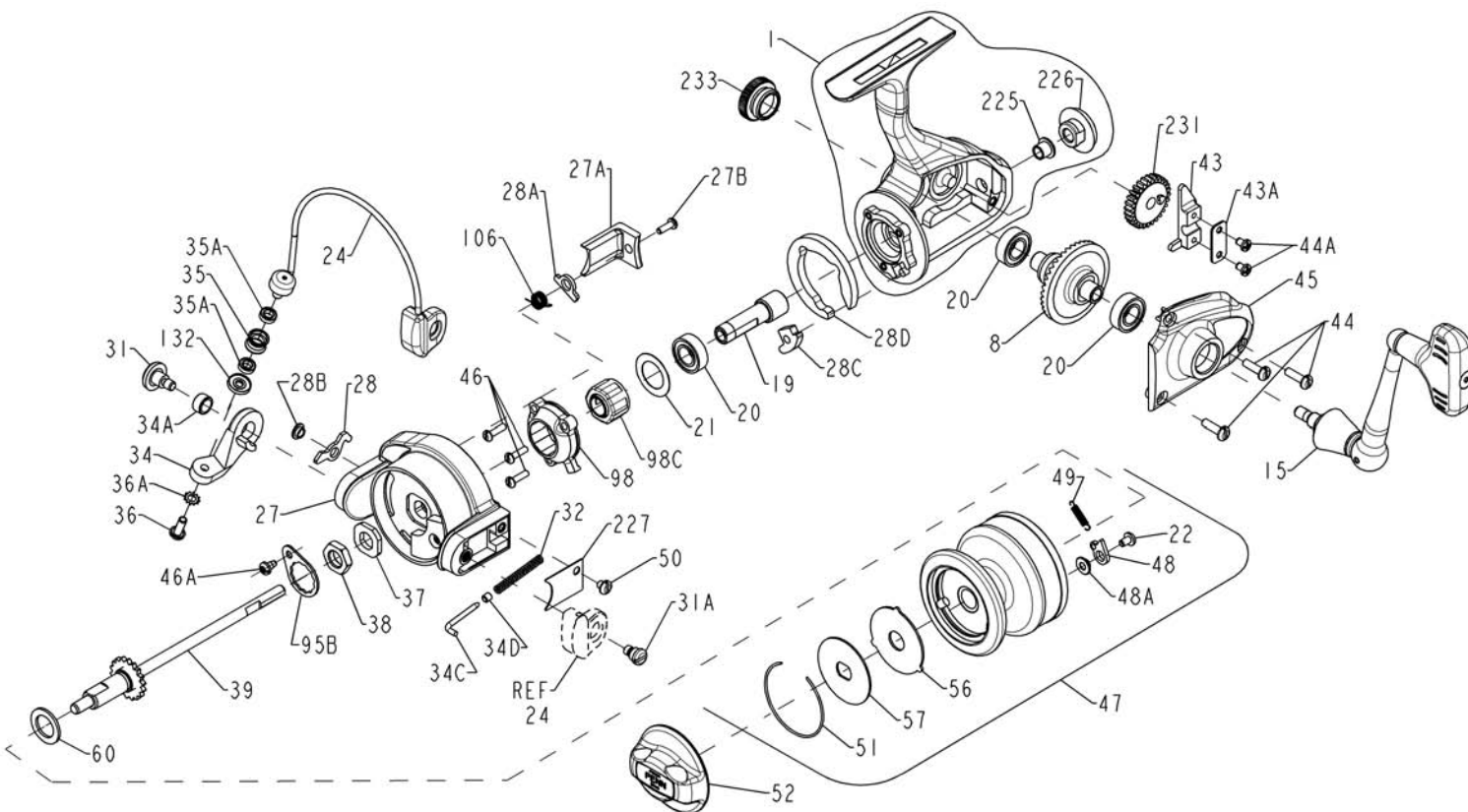




# PARTS LIST FOR MODEL 440SSG

REEL PART NO. 1152058



KEY NO.	PART NO.	ORIGINAL PENN NO.	DESCRIPTION
1	1180512	001 440G	Housing Assembly
8	1181133	008N4400	Main Gear Assembly
15	1181470	015 440G	Handle Assembly
19	1191239	019 440G	Pinion
20	1181792	020 722	Ball Bearing (3 req)
21	1192638	021 550G	Bearing Cover
22	1186969	048B750M	Spool Click Screw
24	1191303	024 440G	Bail Wire Assembly
27	1191412	027 440G	Rotor Cup Assembly
27A	1182321	027A440	Bail Trip Cover
27B	1182338	027B420	Rotor End Screw
28	1182394	028 440	Trip Lever
28A	1182426	028A440	Cam Lever
28B	1182441	028B440	Trip Lever Bushing
28C	1182451	028C440	Trip Cam
28D	1191507	028D440G	Friction Ring
31	1182671	031 550	Bail Arm Screw
31A	1182689	031A550G	Bail Cam Screw
32	1182732	032 5600	Bail Spring
34	1182819	034 450	Bail Arm
34A	1182845	034A550	Bail Arm Bushing
34C	1191655	034C550G	Pivot Arm
34D	1191663	034D550G	Pivot Arm Bushing
35	1182931	035 550G	Line Roller
35A	1182965	035A8500J	Ball Bearing (2 req)
36	1183016	036 750	Bail Stud Screw
36A	1183032	036A750	Lock Washer
37	1183077	037 450	Rotor Washer
38	1183153	038 550	Rotor Nut
39	1183215	039 440	Spool Shaft
43	1183390	043 440G	Crosswind Block
43A	1191819	043A4400	Crosswind Block Plate
44	1183458	044 704	Cover Screw (3 req)
44A	1186969	048B750M	Crosswind Screw (2 req)
45	1191868	045 440G	Housing Cover
46	1183567	046 4300	Screw (3 req)
46A	1224252	046A550G	Screw
47	1191932	047 440G	Spool Assembly
48	1183709	048 450	Click Tongue
48A	1183722	048A750	Click Tongue Washer
49	1183741	049 710	Click Tongue Spring
50	1183766	050 712	Bail Spring Cover Screw
51	1183792	051 440	Retaining Ring
52	1183817	052 440G	Drag Knob Assembly
56	1183906	056 440	Drag Washer HT-100
57	1183932	057 440	Metal Keyed Washer
60	1183995	060 450	Thrust Washer
95B	1222690	095B440G	Lock Plate
98	1192201	098 550G	Clutch Retainer
98C	1192216	098C550G	Clutch / Sleeve Assembly
106	1184432	106 5500	Lever Spring
132	1184589	132 5500J	Roller Washer
225	1192452	225 440G	Spool Shaft Bushing
226	1192462	226 550G	Rear Cap
227	1185045	227 440	Bail Spring Cover
231	1185079	231 440G	Crosswind Gear
233	1185145	233 550G	Bearing Cover