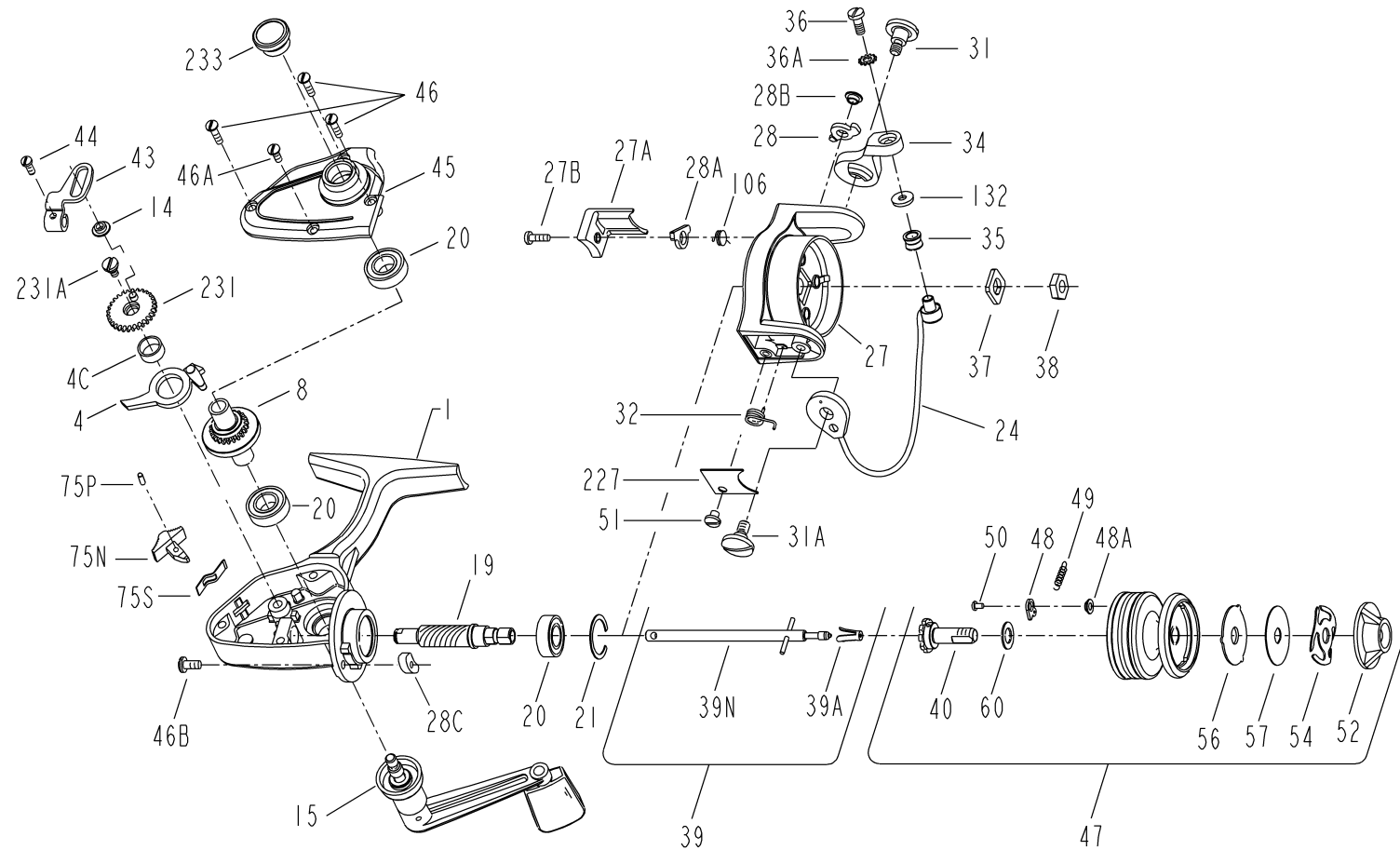


PENN PARTS LIST FOR MODEL 4300SS

REEL ASSEMBLY NO. 1151128



NOT ALL PARTS ARE AVAILABLE

KEY NO.	DESCRIPTION	PENN STYLE NO	ORDER PART NO.
1	Housing	001 4300	1180510
4	Dog	004 4300	1180778
4C	Dog Sleeve	004C4300	1180803
8	Main Gear Assembly	008 4300	1181084
14	Crosswind Roller	014 4300	1181404
15	Handle (Complete)	015N4300	N/A
19	Pinion	019 4300	1181691
20	Ball Bearing (3 req)	020 722	1181792
21	Bearing Lock Ring	021 722	1181879
24	Bail Wire Assembly	024 4300	1182034
27	Rotor Cup	027 4300	1182238
27A	Bail Trip Cover	027A4300	1182320
27B	Bail Trip Cover Screw	027B420	1182338
28	Trip Lever	028 420	1182393
28A	Cam Lever	028A440	1182426
28B	Trip Lever Bushing	028B440	1182441
28C	Trip Cam	028C420	1182449
31	Bail Arm Screw	031 420	1182668
31A	Bail Cam Screw	031A420	1182687
32	Bail Spring	032 420	1182725
34	Bail Arm	034 420	1182818
35	Line Roller	035 420	1182926
36	Bail Stud Screw	036 750	1183016
36A	Lock Washer	036A750	1183032
37	Rotor Cup Washer	037 420	1183076
38	Rotor Cup Nut	038 720	1183158
39	Spool Shaft Complete	039N4300	1183256
39A	Spool Retainer	039A4300	1183246
39N	Spool Shaft with Pin	039N4300B	N/A
40	Spool Sleeve Complete	040 716	1183283
43	Crosswind Arm	043 4300	1183389
44	Crosswind Arm Screw	044 4300	1183451
45	Housing Cam	045 4300	1183502
46	Cover Screw (3 req)	046 4300	1183567
46A	Cover Screw Small	046A4300	1183585
46B	Trip Cam Screw	046A704	1183586
47	Spool (Complete)	047 4300	1183636
48	Click Tongue	048N4300	1183727
48A	Click Tongue Washer	048A4300	1183720
49	Click Spring	049 4300	1183737
50	Click Spring Screw	063A2.5FR	1184057
51	Bail Spring Cover Screw	050 712	1183766
52	Drag Knob	052 714	1183834
54	Drag Spring	054 716	1183864
56	Drag Washer-HT100	056 440	1183906
57	Drag Washer Metal	057 716	1183939
60	Spool Sleeve Washer	060 716	1184006
75N	Anti-Reverse Button	075N4300	1184192
75P	Button Spring Pin	075P4300	1184193
75S	Anti-Reverse Spring	075S4300	1184194
106	Cam Lever Spring	106 5500	1184432
132	Roller Washer	132 420	1184585
227	Bail Spring Cover	227 4300	1185044
231	Crosswind Gear	231 4300	1185078
231A	Crosswind Gear Screw	231A4300	1185104
233	Bearing Cover	233 4300	1185141

N/A = NOT AVAILABLE