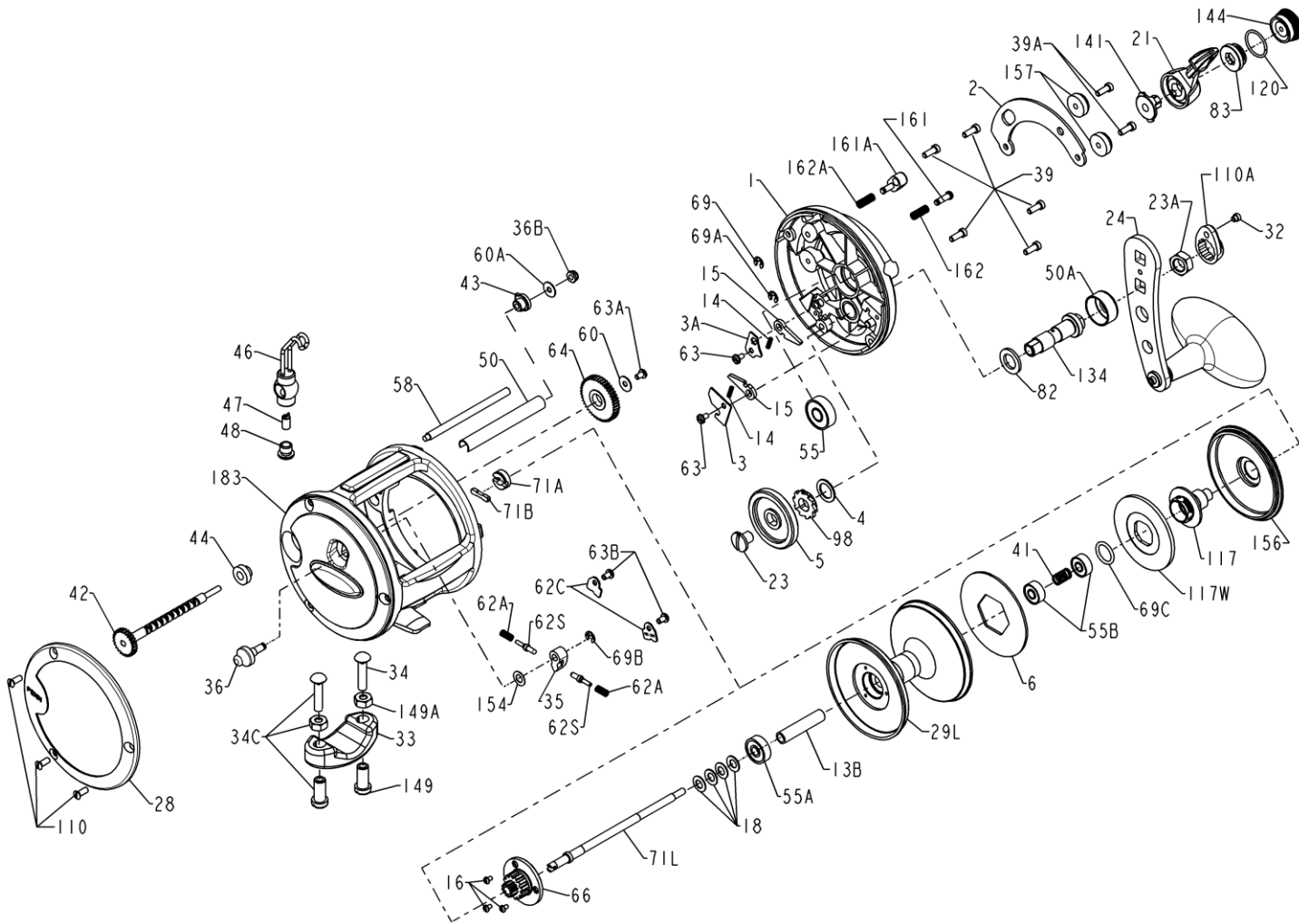




PARTS LIST FOR MODEL 330LD (1151103)



KEY NO.	PENN STYLE NO.	PART NO.	DESCRIPTION
23	023 006CH	1181930	Gear Mounting Screw
23A	023 555	1181950	Handle Nut
24	024S113HN	1192667	Handle Assembly (SS)
28	028N330	1191513	Left Side Ring
29L	029L330LD	1182540	Spool
32	032 015	1182708	Handle Lock Screw
33	033 113	1182754	Rod Clamp
*	*033R200	1182783	*Ringed Rod Clamp (Optional)
34	034 045	1182788	Clamp Screw Only(2 req.)
34C	034C045	1182862	Clamp Screw w/Nuts
35	035 310N	1182922	Click Tongue
36	036 330	1191700	Click Button
36B	036 700	1183014	Worm Shaft Nut
39	039 004CH	1183179	R.S. Plate Screw (5 req.)
39A	039 004CH	1183179	Spacer Quadrant Screw (2 req.)
41	041 320LD	1183335	Bearing Spring
42	042 330N	1183351	Worm
43	043 330	1183384	Right Side Worm Bearing
44	044 330	1183446	Left Side Worm Bearing
46	046 330N	1183563	Line Guide Carriage
47	047 975	1183677	Pawl
48	048 330N	1183704	Pawl Cover Screw
50	050N330	1183761	Worm Shield
50A	050 025	1183746	Cover Gear Stud
55	026N025	1182145	R.S. Plate Ball Bearing
55A	055 320LD	1183888	L.S. Spool Bearing
55B	055 116	1183882	Spool Bearing (2 req.)
58	058 330	1183955	Line Guide Post
60	060 320	1183991	Idler Gear Washer
60A	060 320	1183991	Worm Bearing Washer
62A	062A310	1184033	Click Spring (2 req.)
62C	062C321LH	1184041	Click Spring Cover (2 req.)
62S	062S310	1192075	Click Pin (2 req.)
63	063 500S	1184052	Dog Bridge Screw (2 req.)
63A	063 500S	1184052	Idler Gear Screw
63B	063 500S	1184052	Click Spring Screw (2 req.)
64	064 330	1184067	Idler Gear
66	066 320LD	1184094	Spool Gear
69	069B050	1184125	Strike Button Retaining Ring
69A	069B050	1184125	Button Retaining Ring
69B	069B600	1184129	Click Tongue Retaining Ring
69C	069C225	1184132	Retaining Ring
71A	071A320LD	1184158	Bushing
71B	071B320LD	1184165	Key
71L	071L330LD	1192134	Spindle Spool
82	082 025	1184220	Handle Shim
83	083 225	1184227	Preset Collar
98	098 330LD	1184351	Main Gear Ratchet
110	110 050	1184436	L.S. Ring Screw (3 req.)
110A	110A555	1184442	Handle Nut Cap
117	117 330LD	1184486	Pinion Drive Plate
117W	117W330LD	1192267	Washer, Drive Plate
120	120 113H	1184522	O-Ring
134	134 330LD	1192318	Gear Stud
141	141 225	1184660	Cam Follower
144	144 320LD	1184689	Preset Knob
149	149 045	1184702	Clamp Nut (2 req.)
149A	149 200	1184706	Hex Nut (2 req.)
154	154 117	1184721	Click Shim
156	156 225	1184746	Drag Cover
157	157 330LD	1184768	Quadrant Spacer (2 req.)
161	161 025	1184785	Free Spool Button
161A	161 040	1184787	Strike Button
162	162 050	1184795	Free Spool Button Spring
162A	162 050	1184795	Strike Button Spring
183	183N330LD	1192436	Frame Assembly

* Not Shown

KEY NO.	PENN STYLE NO.	PART NO.	DESCRIPTION
1	001 330LD	1180497	Right Side Plate
2	002 330LD	1190899	Quadrant Ring
3	003 330LD	1190926	Dog Bridge
3A	003A330LD	1190932	R.S. Dog Bridge
4	004 025	1180750	Gear Stud Washer
5	005 320LD	1180867	Main Gear
6	006 025	1180903	Drag Washer HT-100

KEY NO.	PENN STYLE NO.	PART NO.	DESCRIPTION
13B	013B320LD	1181373	Spool Sleeve
14	014 99	1181393	Dog Spring (2 req.)
15	015N025	1181561	Dog (2 req.)
16	016 975LD	1181587	Spool Gear Screw (3 req.)
18	018 975LD	1181629	Clutch Disc Spring (4 req.)
21	021 330LD	1181864	Drag Cam Lever