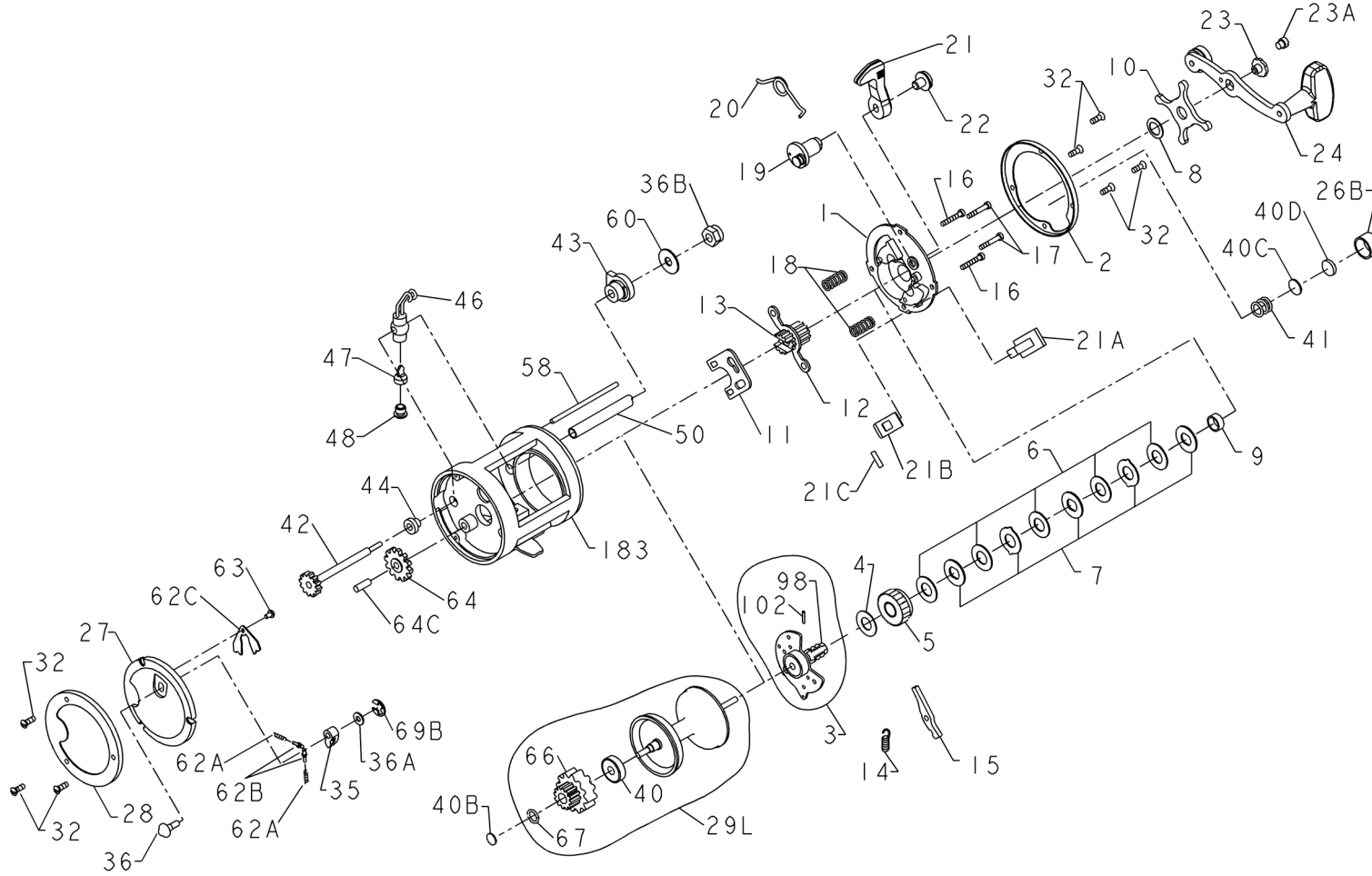




PARTS LIST FOR MODEL 310GTi



KEY NO.	PART NO.	DESCRIPTION
1	001 310	Right Side Plate
2	002 310	Right Side Ring
3	003B310	Bridge Assembly
4	004 155	Fiber Washer
5	005 310	Main Gear
6	006 060	Friction Drag Washer (5 req.)
7	007C310	Metal Drag Washer (Set of 5)
8	008 060	Tension Spring
9	009 310	Spacing Sleeve
10	010 310	Star Drag
11	011 310	Eccentric Jack
12	012 009	Pinion Yoke
13	013 310	Pinion Gear
14	014 010	Dog Spring
15	015 310	Dog
16	016 310	Lower Bridge Screw (2 req.)
17	017 310	Upper Bridge Screw (2 req.)
18	018 009	Clutch Spring (2 req.)
19	019 310	Eccentric Cam
20	020 109	Eccentric Spring
21	021 310	Eccentric Lever
21A	021A310	Direct Drive Button
21B	021B310	Direct Drive Button Spring
21C	021C310	Direct Drive Button Pin
22	022 310	Eccentric Screw
23	023 060	Handle Assembly Screw
23A	110 060	Handle Lock Screw
24	024S310	Handle Assembly
26B	026B310	Spool Tension Control Cap
27	027 310	Left Side Plate
28	028 310	Left Side Ring
29L	029L310N	Spool Assembly
32	032 310	Side Plate Screw (7 req.)
35	035 310N	Click Tongue
36	036 310	Click Button
36A	036A040	Click Button Washer
36B	036 700	Worm Shaft Nut
40	040 310	Ball Bearing
40B	040C310	Metal Thrust Washer
40C	040C320	Metal Thrust Washer
40D	040D320	Rubber Thrust Washer
41	041 330	Right Side Thrust Spring
42	042 310	Worm
43	043 330	Right Side Worm Bearing
44	044 330	Left Side Worm Bearing
46	046 310	Line Guide Carriage
47	047 975	Pawl
48	048 330N	Pawl Cover Screw
50	050N310	Worm Shield
58	058 310	Line Guide Post
60	060 320	Idler Gear Washer
62A	062A310	Click Spring (2 req.)
62B	062B310	Click Pin (2 req.)
62C	062C310	Click Spring Cover
63	063 500S	Click Spring Screw
64	064 310	Idler Gear
64C	064C310	Idler Gear Shaft
66	066 310	Spool Gear Click Ratchet
67	067 009	Spool Gear Lock Ring
69B	069B600	Retaining Ring (Click Button)
98	098 310	Gear Sleeve
102	102 060	Gear Sleeve Pin
183	183 310	Frame