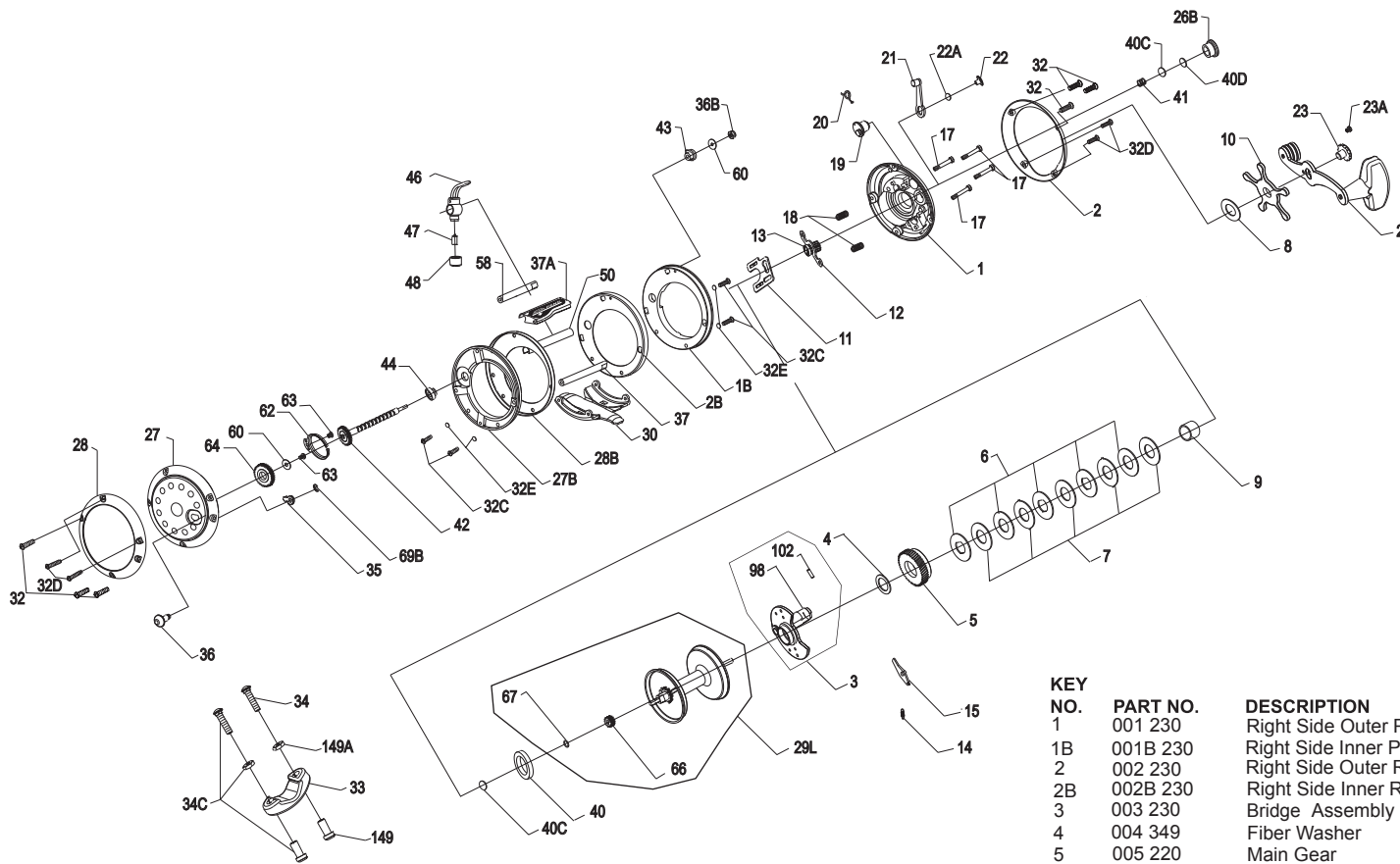




MODEL 230GTO

PARTS LIST FOR MODEL 230GTO



KEY NO.	PART NO .	DESCRIPTION
19	019 230	Eccentric Cam
20	020 230	Eccentric Spring
21	021 230	Eccentric Lever
22	022 220	Eccentric Screw
22A	022A 220	Lock Washer
23	023 220	Handle Screw
23A	023A 220	Handle Lock Screw
24	024 230	Handle
26B	026B 230	Spool Tension Control Cap
27	027 230	Left Side Outer Plate
27B	027B 230	Left Side Inner Plate
28	028 230	Left Side Outer Ring
28B	028B 230	Left Side Inner Ring
29L	029L 230	Spool Assembly
30	030 230	Stand
32	032 220	Side Plate Screw(6 req.)
32C	32C 220	Stand Screw(4 req.)
32D	32D 220	Line Guide Shaft Screw (4 req.)
32E	032E 220	Flat Washer(4req.)
33	033 220	Rod Clamp
34	034 220	Clamp Screw Only (2 req.)
34C	034C 220	Clamp Screw w/Nuts (2 req.)
35	035 230	Click Tongue
36	036 230	Click Button
36B	036B 220	Worm Shaft Nut
37	037 220	Frame Post
37A	37A 230	Top Spacer Bar
40	040 220	Ball Bearing
40C	040C 220	Metal Thrust Washer(2 req.)
40D	040D 220	Rubber Thrust Washer
41	041 220	Right Side Thrust Spring
42	042 230	Worm
43	043 230	Right Side Worm Bushing
44	044 230	Left Side Worm Bushing
46	046 230	Line Guide Carriage
47	047 220	Pawl
48	048 220	Pawl Cover Screw
50	050 220	Worm Shield
58	058 230	Slotted Post
60	060 220	Idler Gear Washer(2 req.)
62	062 220	Click Spring
63	063 220	Click Spring Screw (2 req.)
64	064 230	Idler Gear
66	066 220	Spool Gear
67	067 220	Spool Gear Lock Ring
69B	069B 220	Retaining Ring (Click Button)
98	098 220	Gear Sleeve
102	102 220	Gear Sleeve Pin
149	149 220	Clamp Nut Only (2 req.)
149A	149A 220	Hex Nut Only (2 req.)

KEY NO.	PART NO.	DESCRIPTION
1	001 230	Right Side Outer Plate
1B	001B 230	Right Side Inner Plate
2	002 230	Right Side Outer Ring
2B	002B 230	Right Side Inner Ring
3	003 230	Bridge Assembly
4	004 349	Fiber Washer
5	005 220	Main Gear
6	006 320	Friction Drag Washer(5 req.)
7	007C 220	Metal Drag Washer(Set of 5.)
8	008 220	Tension spring
9	009 220	Spacing Sleeve
10	010 220	Star Drag
11	011 230	Eccentric Jack
12	012 230	Pinion Yoke
13	013 230	Pinion Gear
14	014 220	Dog Spring
15	015 230	Dog
17	017 220	Bridge Screw(4req.)
18	018 220	Clutch Spring(2req.)