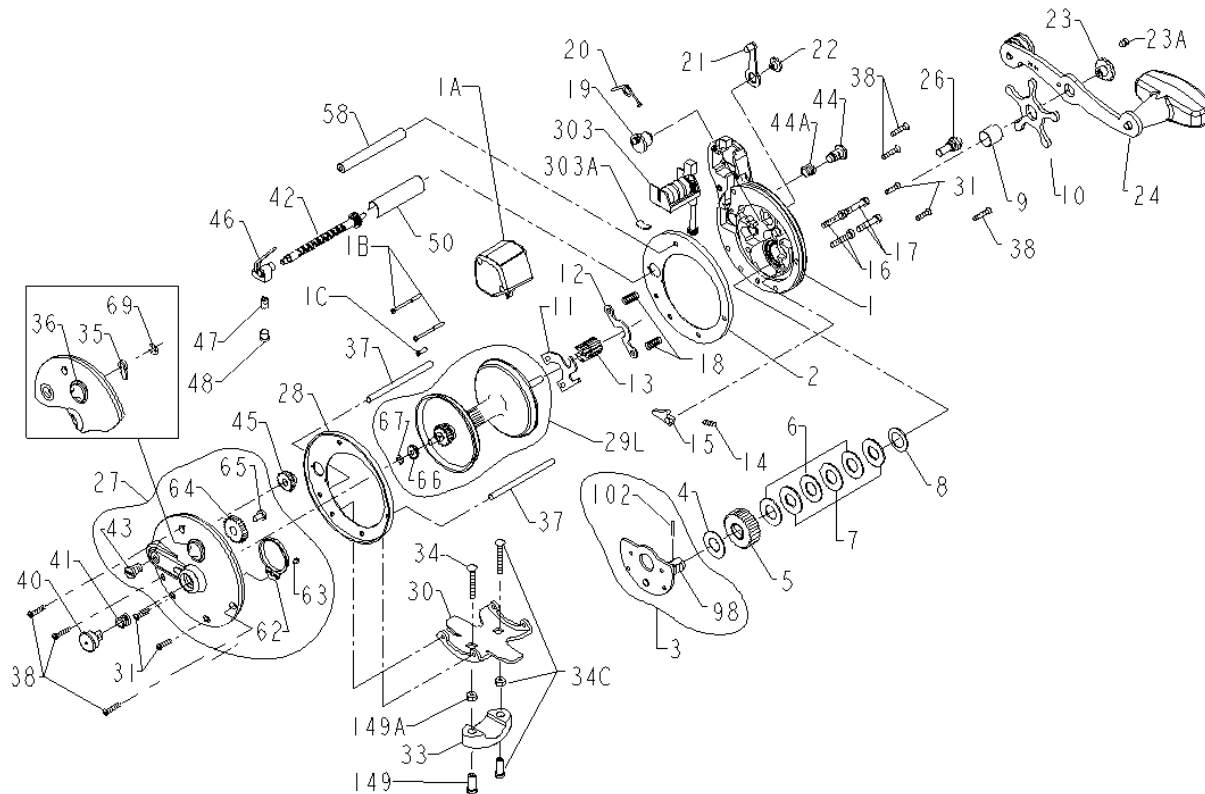




PARTS LIST FOR MODEL 209LC



KEY NO.	MODEL 209 PART NO.	DESCRIPTION
1	001 209LC	Right Side Plate
1A	001A209LC	Line Counter Cover
1B	001B209LC	Screw L.C. Cover Top (2 req.)
1C	001C209LC	Screw L.C. Cover - Lower
2	002 209	R.S. Ring
3	003 155	Bridge Assembly
4	004 155	Fiber Washer
5	005 209LC	Main Gear
6	006 155	Drag Washer (3 req.)
7	007C155	Drag Washer (Metal Set)

KEY NO.	MODEL 209 PART NO.	DESCRIPTION
8	008 060	Tension Washer
9	009 060	Spacing Sleeve
10	010 060	Star Drag
11	011 155	Eccentric Jack
12	012 155	Pinion Yoke
13	013 209LC	Pinion Gear
14	014 099	Dog Spring
15	015 209	Dog
16	016 060CH	Lower Bridge Screw (2 req.)
17	017 060CH	Upper Bridge Screw (2 req.)
18	018 060	Clutch Spring (2 req.)
19	019 209	Eccentric
20	020 155	Eccentric Spring
21	021 209	Eccentric Lever
22	022 060CH	Eccentric Screw
23	023 060	Handle Screw
23A	110 060	Handle Lock Screw
24	024 066	Handle
26	026 155	R.S. Bearing
27	027 209	L.S. Plate Assembly
28	028 209	L.S. Ring
29L	029L209	Spool Assembly
30	030 066	Stand
31	032 022	Stand Screw (4 req.)
33	033 113	Rod Clamp
	033R200	Ringed Rod Clamp (Optional)
34	034 045	Clamp Screw (Only)
34C	034C045	Clamp Screw w/Nuts
35	035 155	Click Tongue
36	036N209	Click Button
37	037 160	Frame Post (2 req.)
38	038 008	Post Screw (6 req.)
40	040 060	L.S. Bearing
41	041 060	L.S. Bearing Spring
42	042 209LC	Worm
43	043 109	Worm Bearing
44	044N109	Worm Bearing
44A	057 109	Worm Bearing Spring
45	045N209	Worm Gear
46	046 209	Line Guide
47	047 109	Pawl
48	048 109	Pawl Cover
50	050 209	Worm Shield
58	058 209	Slotted Post
62	062 209	Click Spring
63	063 209	Click Spring Screw
64	064 209	Idler Gear
65	065 209	Idler Gear Screw
66	066N209	Level Wind Drive Gear
67	067 209	Drive Gear Lock Spring
69	069B600	Click Button Retaining Spring
98	098 155	Gear Sleeve
102	102 060	Gear Sleeve Pin
149	149 045	Clamp Nut (2 req.)
149A	149 200	Hex Nut (2 req.)
303	303 209LC	Counter Wheel Assembly
303A	303A209LC	Retainer, C.W. Asm.