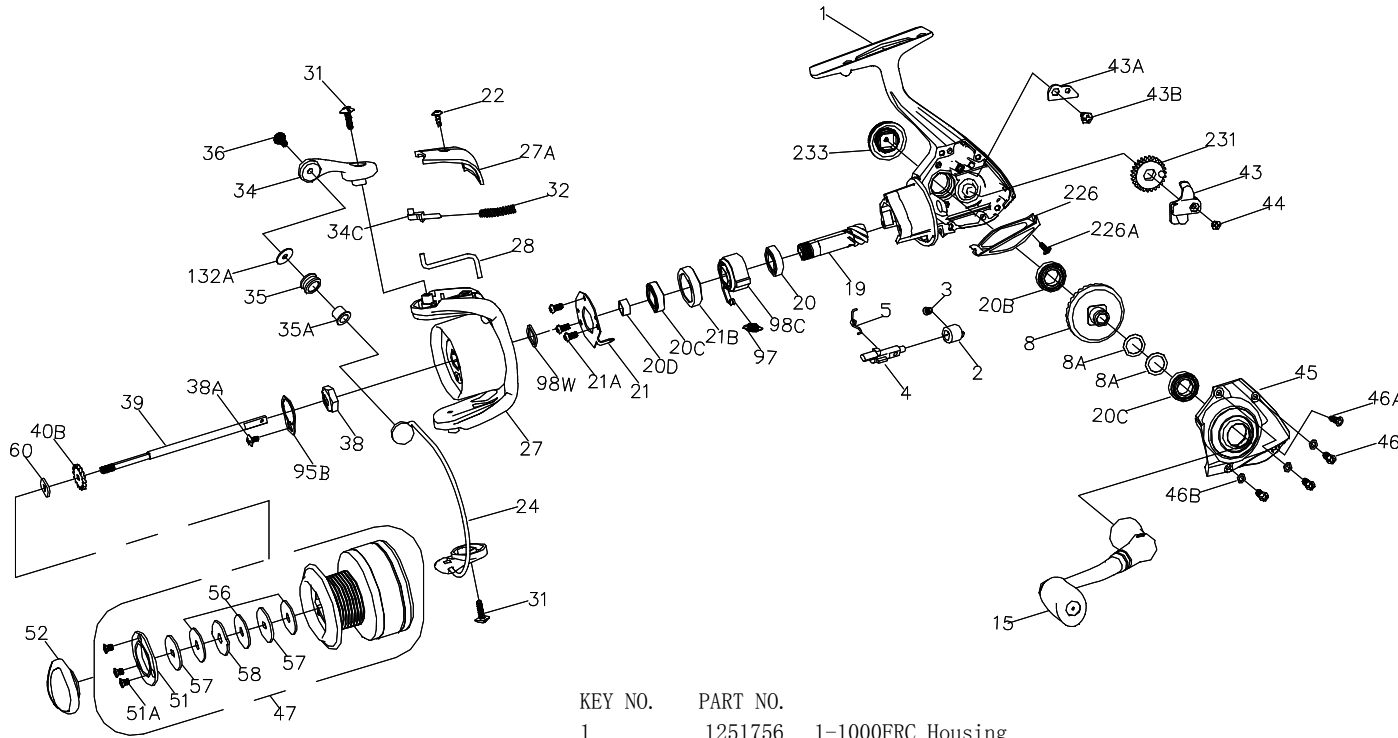




PARTS LIST FOR MODEL FIERCE 1000
REEL PART NO.1238654



KEY NO.	PART NO.	DESCRIPTION
1	1251756	1-1000FRC Housing
2	1190889	2-2000SG A/R Lever
3	1190922	3-2000SG A/R Lever Screw
4	1190935	4-2000SG A/R Shaft
5	1190960	5-2000SG A/R Spring
8	1207688	8-1000SG Main Gear
8A	1191028	8A-3000SG Shim (2 req.)
15	1249049	15-1000BTL Handle Assembly
19	1207720	19-1000SG Pinion
20	1207721	20-1000SG Lower Pinion Ball Bearing
20B	1203974	20B-3000PUR Housing Ball Bearing
20C	1203975	20C-3000PUR Ball Bearing (2 req.)
20D	1251742	20D-1000BTL Bearing Sleeve
21	1192629	21-2000SG Bearing Retainer
21A	1207723	21A-1000SG Bearing Retainer Screw (3 req.)
21B	1192646	21B-2000SG Collar
22	1251743	22-1000FRC Bail Pivot Cover Screw
24	1251744	24-1000FRC Bail Wire Assembly
27	1251745	27-1000FRC Rotor (w/weight & screw)
27A	1251746	27A-1000FRC Bail Pivot Cover
28	1251747	28-1000FRC Trip Lever
31	1211657	31-2000FRC Bail Arm Screw (2 req)
32	1191583	32-2000SG Bail Spring
34	1211658	34-2000FRC Bail Arm
34C	1191648	34C-2000SG Pivot Arm
35	1211659	35-2000FRC Line Roller
35A	1211660	35A-2000FRC Line Roller Bushing
36	1251748	36-1000FRC Bail Stud Screw
38	1207727	38-1000SG Rotor Nut
38A	1203995	38A-3000PUR Rotor Locking Plate Screw
39	1207728	39-1000SG Spool Shaft
40B	1191778	40B-2000SG Click Ratchet
43	1207729	43-1000SG Crosswind Block
43A	1207730	43A-1000SG Crosswind Block Plate
43B	1191826	43B-3000SG Crosswind Block Plate Screw
44	1191843	44-3000SG Crosswind Block Screw
45	1251749	45-1000FRC Housing Cover
46	1251750	46-1000FRC Housing Cover Screw (3 req)
46A	1191906	46A-3000SG Housing Cover Screw A
46B	1191907	46B-3000SG Housing Cover Washer (3 req)
47	1251751	47-1000FRC Spool Complete
51	1191975	51-2000SG Retaining Spacer
51A	1191986	51A-3000SG Retaining Screw (3 req)
52	1251752	52-1000FRC Drag Knob Assembly
56	1192033	56-2000SG Drag Washer (3 req)
57	1251753	57-1000FRC Keyed Washer (2 req)
58	1192049	58-2000SG Earred Washer
60	1192059	60-2000SG Thrust Washer
95B	1192185	95B-3000SG Rotor Locking Plate
97	1192189	97-2000SG Clutch Spring
98C	1249047	98C-1000BTL Clutch/Sleeve Assembly
98W	1251754	98W-1000FRC Clutch Washer
132A	1211665	132A-2000FRC Line Roller Washer
226	1251755	226-1000FRC Rear Cover
226A	1192473	226A-3000SG Rear Cover Screw
231	1207737	231-1000SG Crosswind Gear
233	1211667	233-3000FRC Bearing Cover Assembly