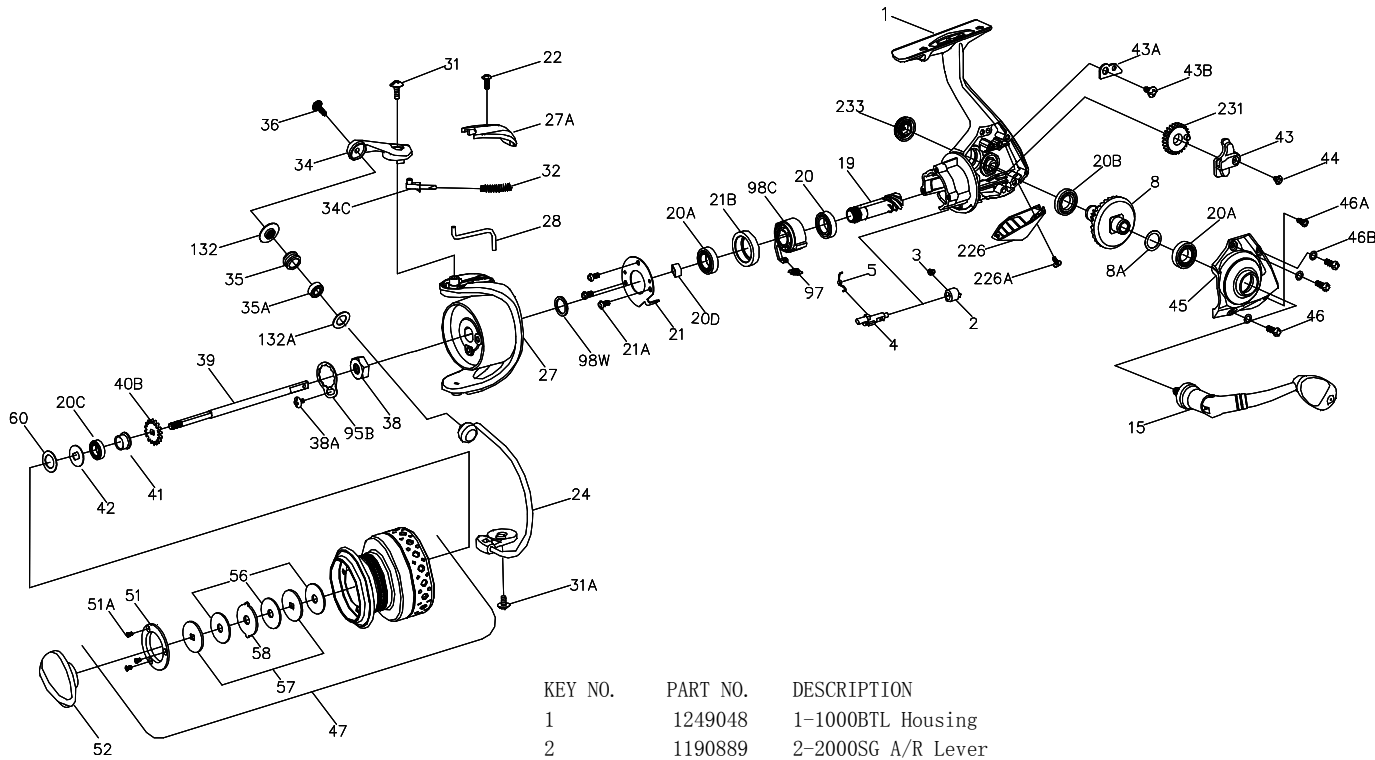




PARTS LIST FOR MODEL BTL1000
REEL PART NO.1238652



KEY NO.	PART NO.	DESCRIPTION
1	1249048	1-1000BTL Housing
2	1190889	2-2000SG A/R Lever
3	1190922	3-2000SG A/R Lever Screw
4	1190935	4-2000SG A/R Shaft
5	1190960	5-2000SG A/R Spring
8	1207688	8-1000SG Main Gear
8A	1191028	8A-3000SG Shim
15	1249049	15-1000BTL Handle Assembly
19	1207720	19-1000SG Pinion
20	1207721	20-1000SG Lower Pinion Ball Bearing
20A	1192616	20A-2000SG Ball Bearing (2 req)
20B	1192619	20B-3000SG Housing Ball Bearing
20C	1211567	20D-2000BTL Spool Bearing
20D	1251742	20D-1000SG Bearing Sleeve
21	1192629	21-2000SG Bearing Retainer
21A	1207723	21A-1000SG Bearing Retainer Screw (3 req.)
21B	1192646	21B-2000SG Collar
22	1192658	22-2000SG Bail Pivot Cover Screw
24	1249036	24-1000BTL Bail Wire Assembly
27	1249037	27-1000BTL Rotor (w/weight & screw)
27A	1207726	27A-1000SG Bail Pivot Cover
28	1249038	28-1000SG Trip Lever
31	1191566	31-2000SG Bail Arm Screw
31A	1191574	31A-3000SG Bail Cam Screw
32	1249039	32-1000BTL Bail Spring
34	1191625	34-2000SG Bail Arm
34C	1249040	34C-1000SG Pivot Arm
35	1211572	35-3000BTL Line Roller
35A	1191682	35A-2000SG Line Roller Bearing
36	1251748	36-1000FRC Bail Stud Screw
38	1207727	38-1000SG Rotor Nut
38A	1191734	38A-3000SG Rotor Locking Plate Screw
39	1249041	39-1000SG Spool Shaft
40B	1191778	40B-2000SG Click Ratchet
41	1211573	41-2000BTL Spool Bushing
42	1249042	42-1000BTL Spool Shaft Washer
43	1207729	43-1000SG Crosswind Block
43A	1207730	43A-1000SG Crosswind Block Plate
43B	1191826	43B-3000SG Crosswind Block Plate Screw
44	1191843	44-3000SG Crosswind Block Screw
45	1249043	45-1000BTL Housing Cover
46	1251750	46-1000FRC Housing Cover Screw (3 req)
46A	1191906	46A-3000SG Housing Cover Screw A
46B	1191907	46B-3000SG Housing Cover Washer (3 req)
47	1249044	47-1000BTL Spool Assembly
51	1211578	51-2000BTL Retaining Spacer
51A	1191986	51A-3000SG Retaining Screw (3 req)
52	1249045	52-1000BTL Drag Knob Assembly
56	1211580	56-2000BTL Drag Washer (3 req)
57	1251753	57-1000FRC Keyed Washer (2 req)
58	1192049	58-2000SG Earred Washer
60	1211581	60-2000BTL Thrust Washer
95B	1192185	95B-3000SG Rotor Locking Plate
97	1249046	97-1000SG Clutch Spring
98C	1249047	98C-1000BTL Clutch/Sleeve Assembly
98W	1251754	98W-1000FRC Clutch Washer
132	1192295	132-2000SG Roller Washer
132A	1192301	132A-2000SG Line Roller Washer
226	1207736	226-1000SG Rear Cover
226A	1192473	226A-3000SG Rear Cover Screw
231	1207737	231-1000SG Crosswind Gear
233	1211584	233-2000BTL Bearing Cover Assembly