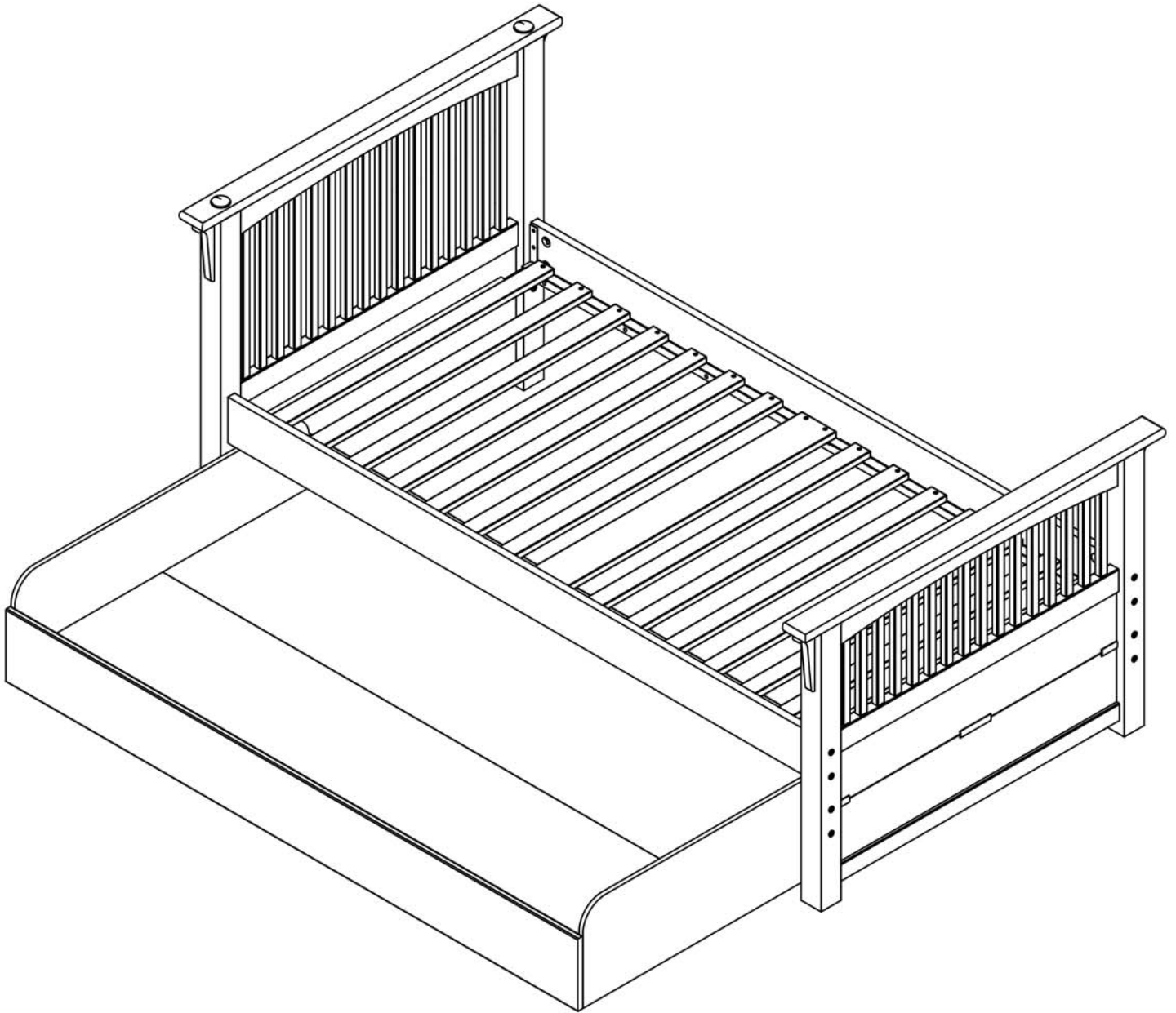


# Trundle Bed/Storage Unit Assembly Instructions



youngAmerica®

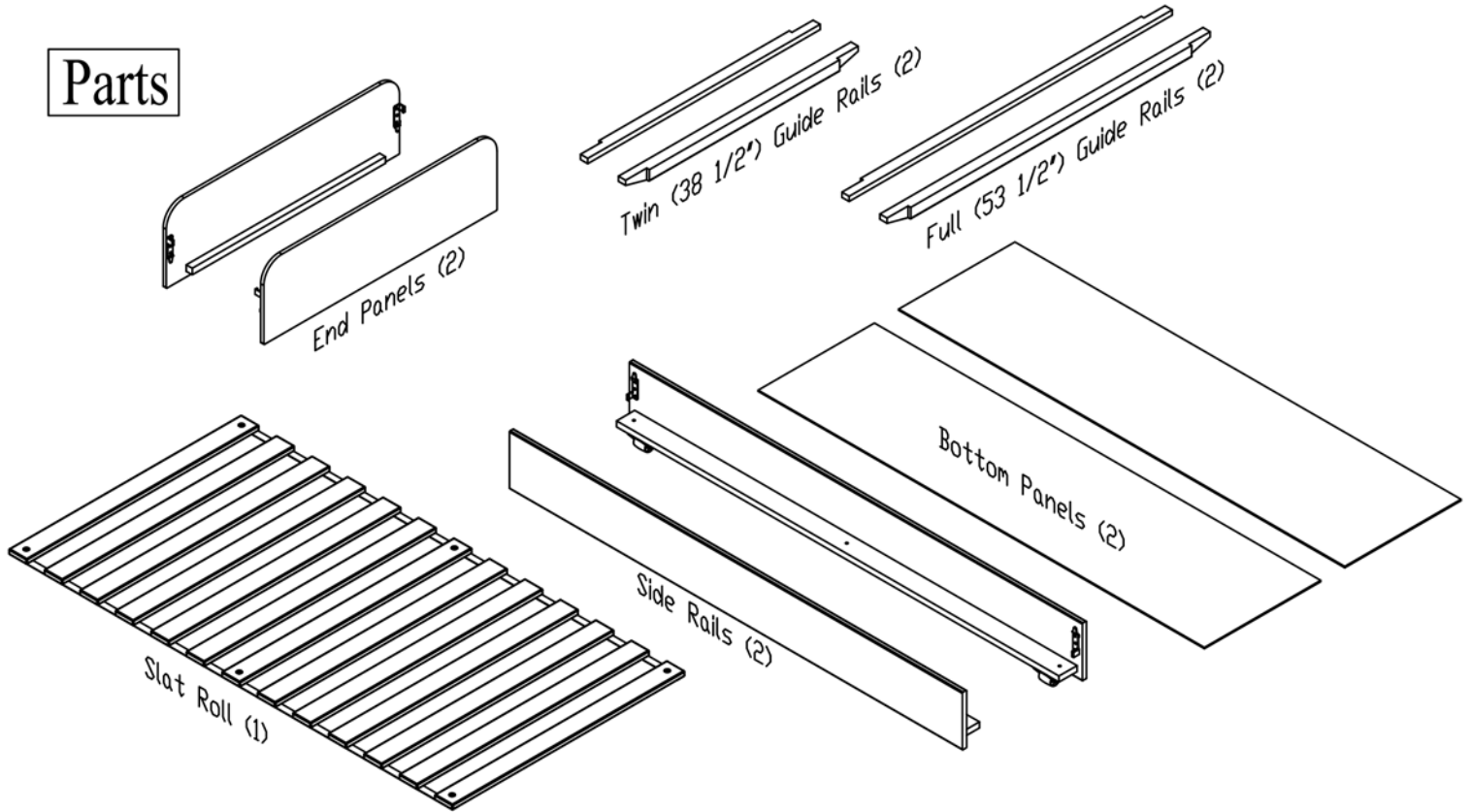


[www.youngamerica.com](http://www.youngamerica.com)

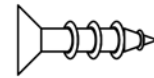
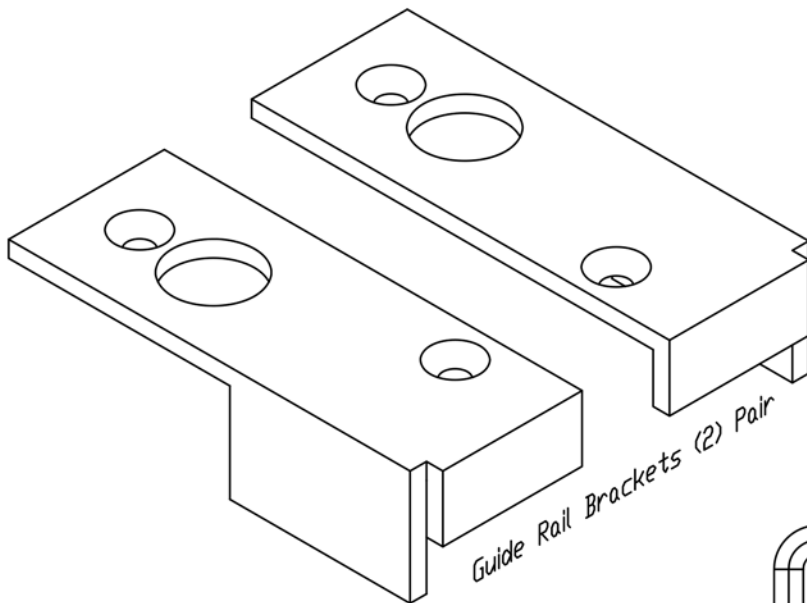
# Identifying the Parts and Hardware

Please identify all parts and hardware before proceeding.

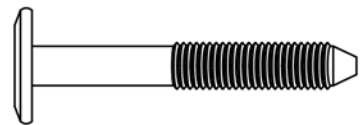
## Parts



## Hardware



#8 X 3/4" Wood Screw (8)



1/4 X 20 X 1 3/4"  
Allen Head Bolts (6)



# Trundle Bed / Storage Assembly Instructions

**\*\*2 people are recommended for assembly of your trundle bed\*\***

**\*\*Please read all instructions before assembly\*\***

## Tools Needed:

1 Phillips Head Screwdriver

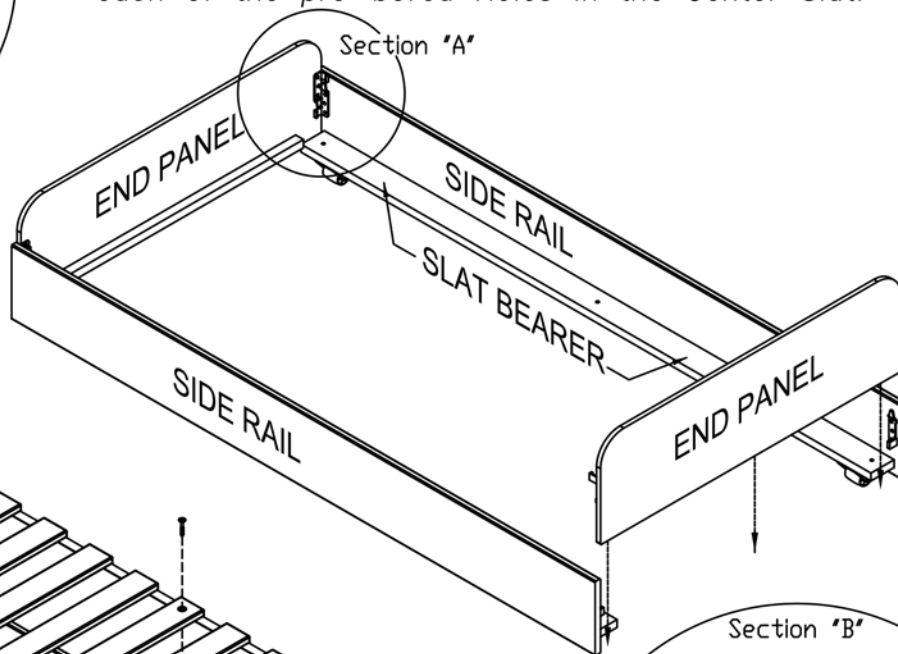
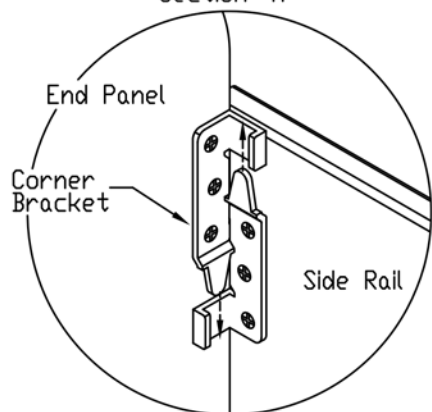
## Assembly Instructions:

1. Attach the End Panels to the Side Rails by aligning the Corner Brackets and lowering into position. (Brackets should "capture" themselves and hold box together.) (Refer to section "A")

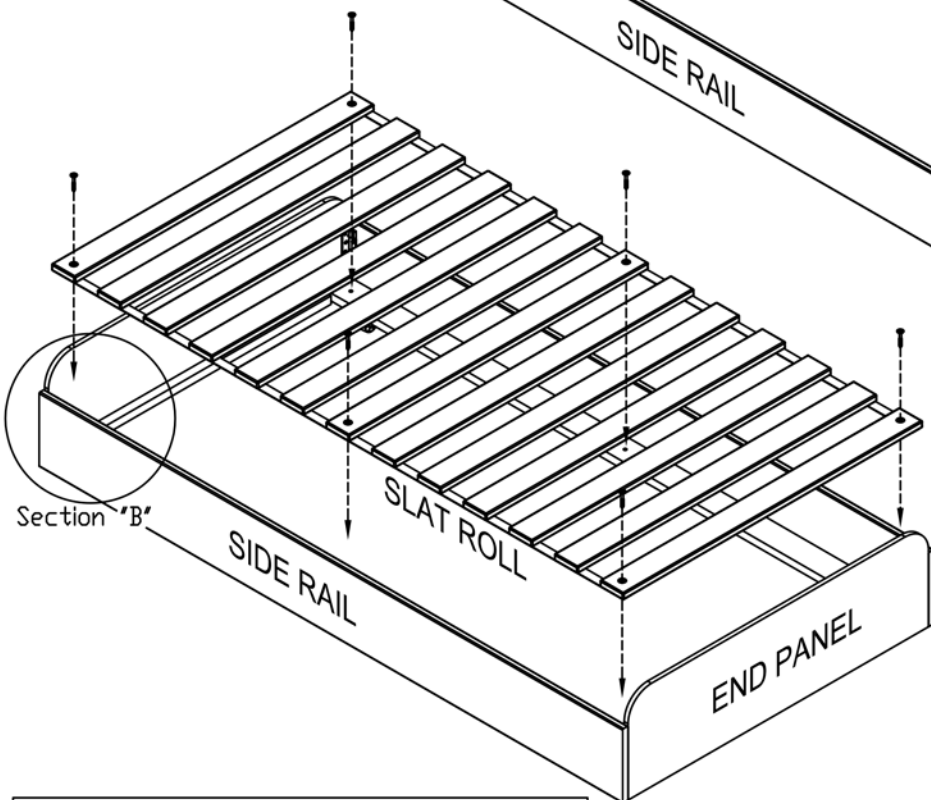
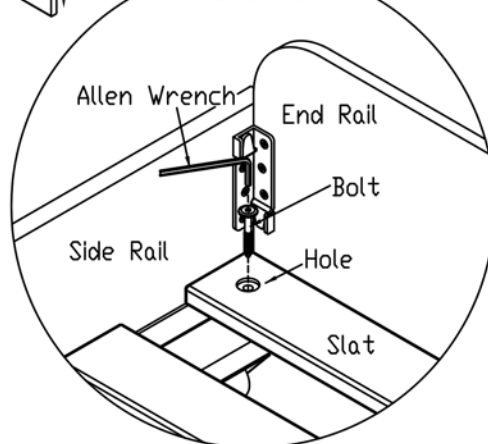
2. Place slat roll across length of side rails with nylon strap on bottom side of slats. Align Holes in End Slats with the Holes in the Slat Bearers and secure with (1) 1 3/4" Allen Head Bolt in each of the pre-bored Holes in the two End Slats. (Refer to Section "B")

3. Spread slats evenly by pulling on the slats nearest the center, making sure nylon strip lays flat on the slat bearer. Align the Holes in the Center Slat with the pre-bored holes in the Slat Bearer and secure with (1) 1 3/4" Allen Head Bolt in each of the pre-bored Holes in the Center Slat.

Section "A"



Section "B"



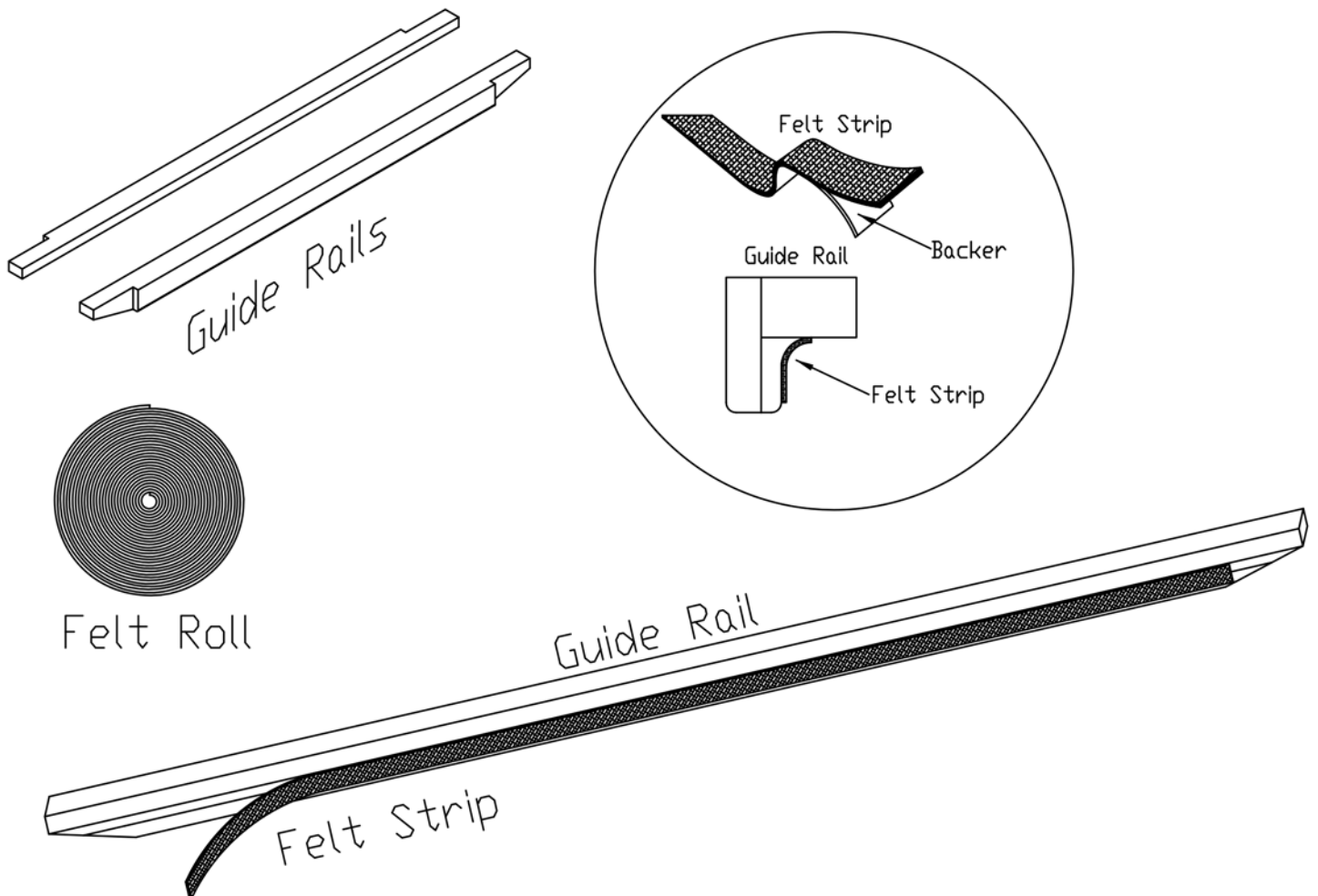
**\*\*NOTE:**  
YOUR FURNITURE MAY HAVE DIFFERENT DESIGN  
FEATURES THAN THOSE SHOWN IN DRAWING.

# Trundle Bed / Storage Assembly Instructions

## Applying Felt Strip to Guide Rails:

The Self-Adhesive Felt Strips should be applied to the Guide Rails to prevent damage to the Finish on the Top Edges of the Trundle Bed/Storage Unit.

1. Peel a small section of the Adhesive Backing from the Felt Strip and align the Felt with the Inside Edge on one end of the Guide Rail.
2. Apply enough pressure to the Felt Strip to ensure that it adheres to the surface of the Guide Rail.
3. Working Slowly, unroll the Felt Strip, 3" to 4" at a time, peeling off the Backer and Pressing the Felt into place.



**\*\*NOTE:**  
YOUR FURNITURE MAY HAVE DIFFERENT DESIGN  
FEATURES THAN THOSE SHOWN IN DRAWING.

# Trundle Bed / Storage Assembly Instructions

## Assembly Instructions Continued:

1. Place Bottom Panels on top of Slat Roll.

(\*\*If unit is being used for storage proceed to step 6.\*\*)

2. If unit is being used as a Trundle Bed place Mattress on top of Bottom Panels. (\*\*Maximum recommended mattress thickness is 8 1/2" to allow proper function of the Trundle Bed/Storage Unit.\*\*)

\*\*Maximum Mattress size recommended is:  
74" Long x 38 1/2" Wide x 8 1/2" Thick\*\*

## Installing Guide Rails:

(\*\*Guide Rails should be installed to insure correct travel of the Trundle Bed/Storage Unit. Use the 38 1/2" Guide Rails for a Twin Size Bed or the 53 1/2" Guide Rails for a Full Bed.\*\*)

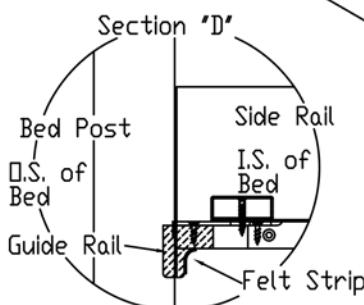
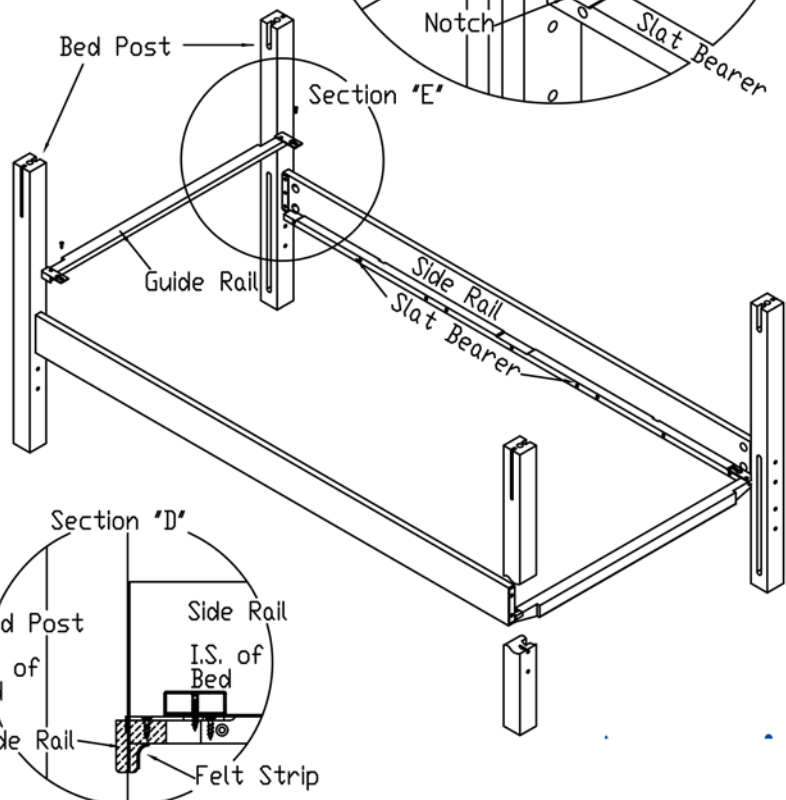
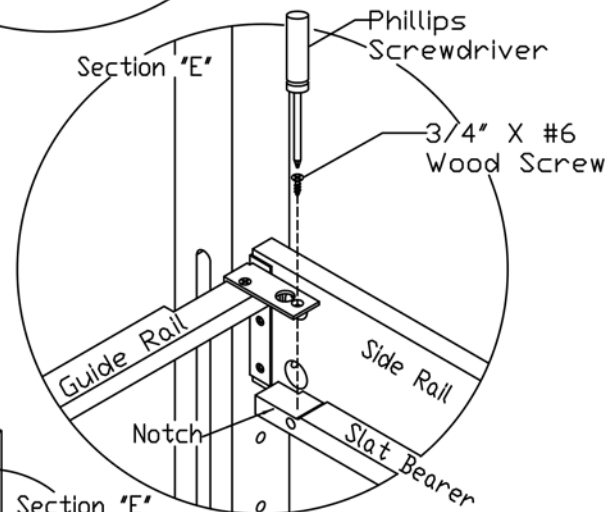
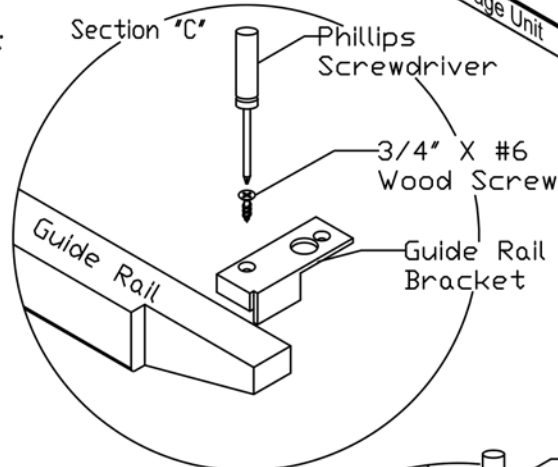
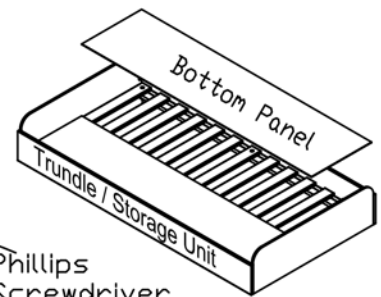
3. Attach the Guide Rail Brackets to the Top of the Guide Rails using a Phillips Head Screwdriver and (1) 3/4" Wood Screws for each Bracket. (Refer to Section "C") (\*\*Note: If using a powered Screwdriver a low torque setting is recommended.\*\*)

4. Attach the assembled Guide Rails to the Bed being used to house the Trundle Bed/Storage unit by placing the Guide Rails in the notches at the ends of the Slat Bearers on the Side Rails of the Bed with the Felt Strips oriented towards the inside of the Bed. (Refer to Section "D")

(\*\*Note: If the Bed that is being used has already been assembled it will be necessary to remove the (4) Screws securing the end slats of the Slat Roll to the Bed before attaching the Guide Rails.\*\*)

(\*\*Note: Side Rails on the Bed should be in the High Position. Refer to Instructions provided with the Bed.\*\*) Secure the Guide Rails using a Phillips Head Screwdriver and (2) 3/4" Wood Screws per Guide Rail. (Refer to Section "E")

5. After Guide Rails are secured install the Slat Roll for the Bed following the Instructions provided with the Bed.



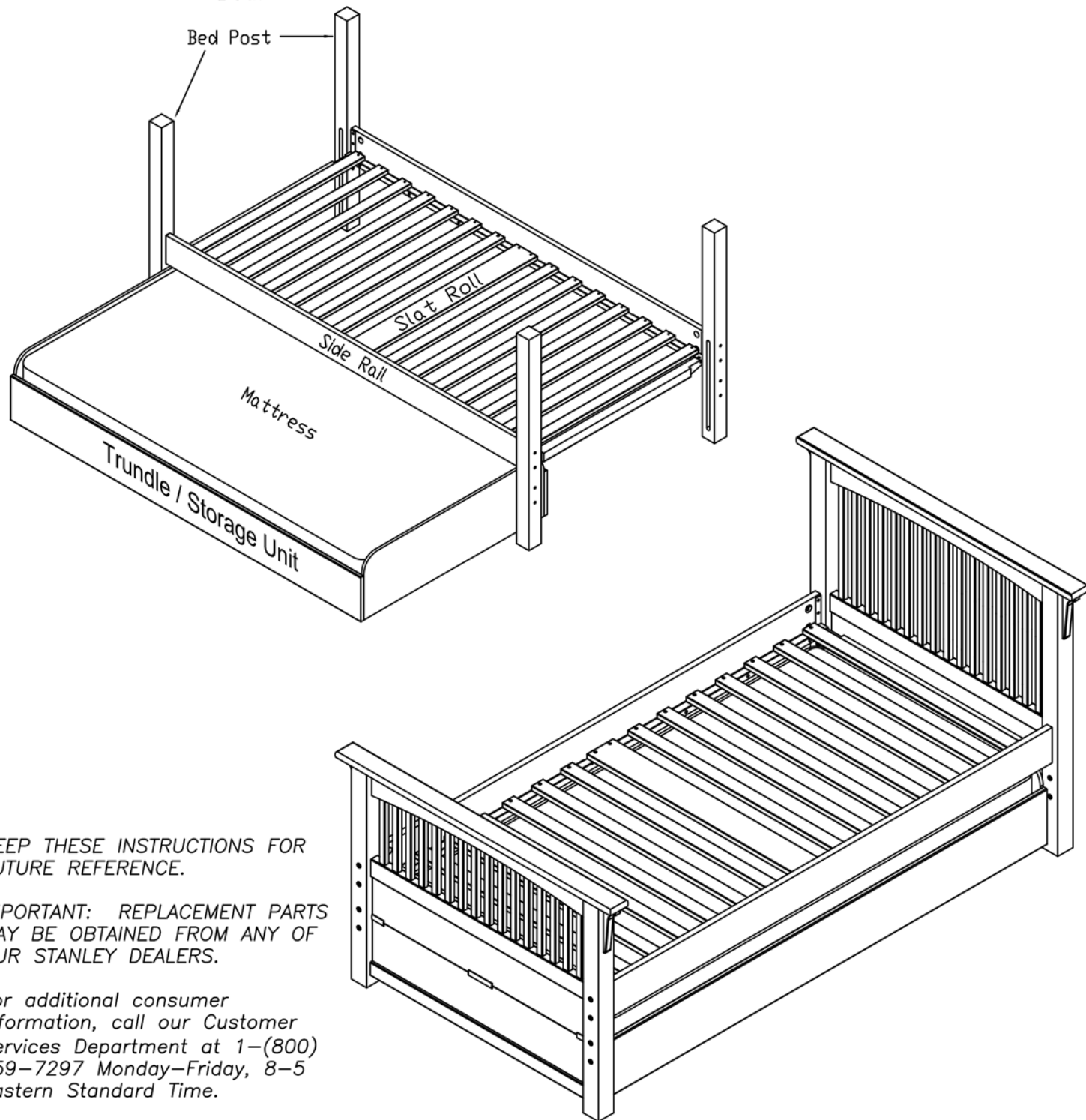
**\*\*NOTE:**  
YOUR FURNITURE MAY HAVE DIFFERENT DESIGN  
FEATURES THAN THOSE SHOWN IN DRAWING.



# Trundle Bed / Storage Assembly Instructions

## Assembly Instructions Continued:

9. Align the assembled Trundle Bed/Storage Unit with the Guide Rails on the Bed and slide into position under the Bed.



KEEP THESE INSTRUCTIONS FOR FUTURE REFERENCE.

**IMPORTANT:** REPLACEMENT PARTS MAY BE OBTAINED FROM ANY OF OUR STANLEY DEALERS.

For additional consumer information, call our Customer Services Department at 1-(800) 659-7297 Monday-Friday, 8-5 Eastern Standard Time.

Stanley Furniture Company  
200 N Hamilton St  
No. 200  
High Point, NC 27260

07102013  
8500TSU069

**\*\*NOTE:**  
YOUR FURNITURE MAY HAVE DIFFERENT DESIGN FEATURES THAN THOSE SHOWN IN DRAWING.

youngAmerica®

