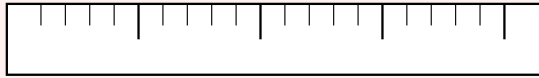
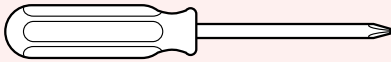


Quick Installation Guide

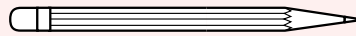
Tools Needed



Ruler



Phillips Head Screwdriver

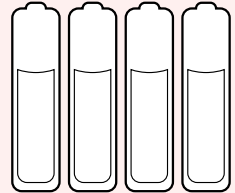


Pencil

In Box



Hex Wrench

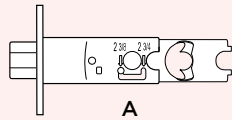


4 AA Batteries

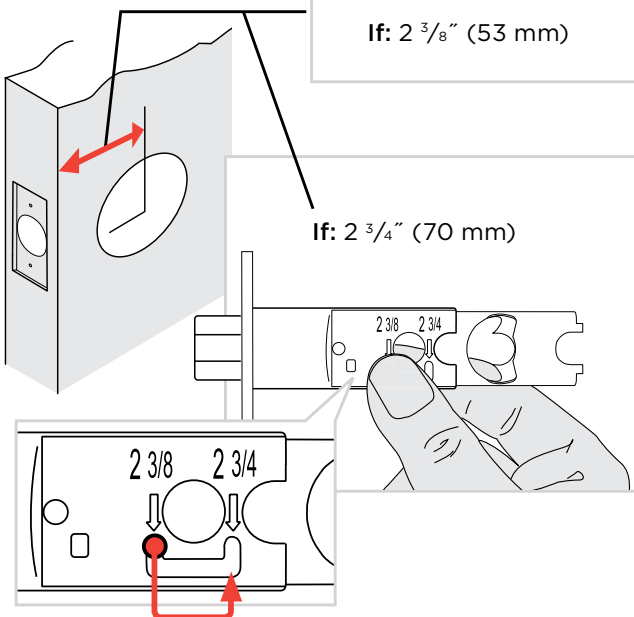
1. Check Dimensions



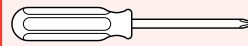
Ruler



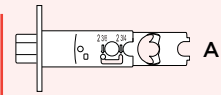
A



2. Install Latch & Strike



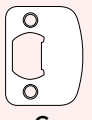
Phillips Head Screwdriver



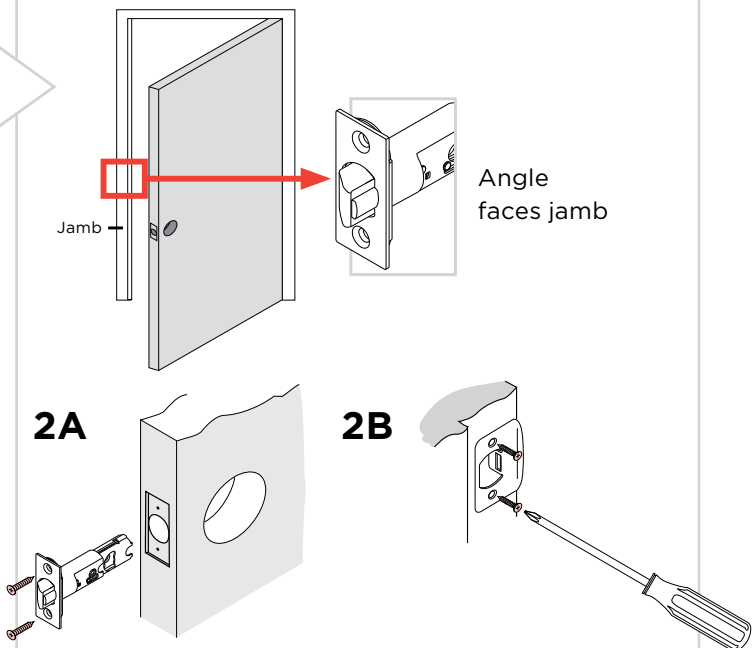
A



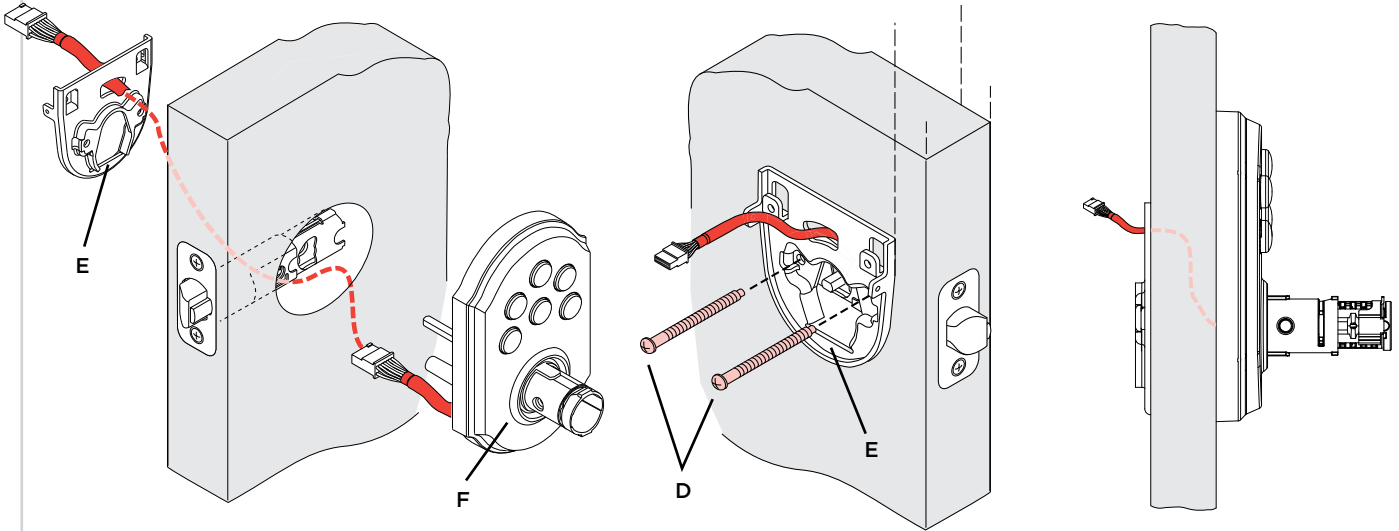
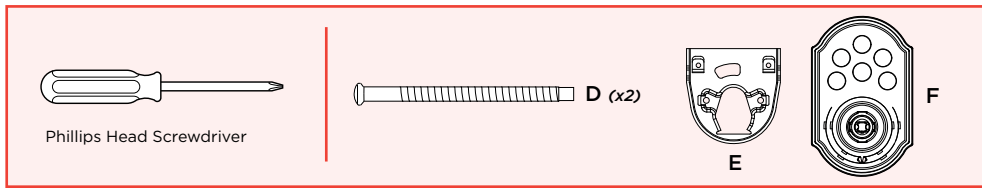
B (x4)



C

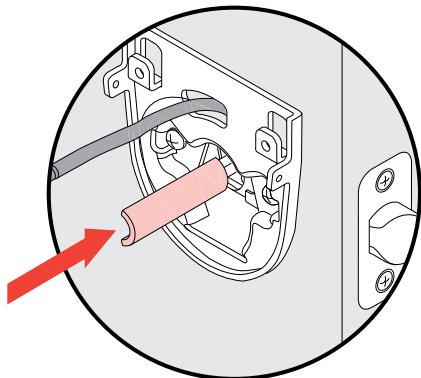
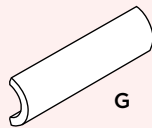


3. Install Exterior Keypad & Interior Mounting Plate



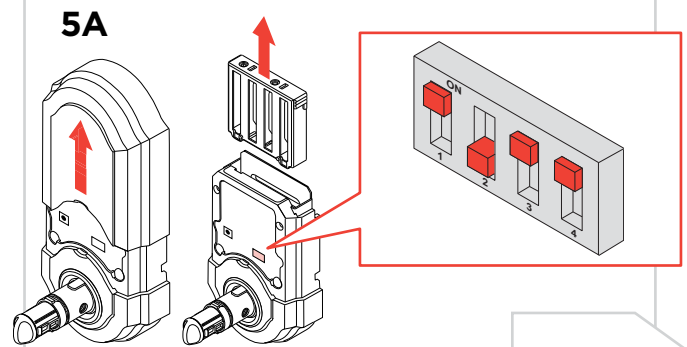
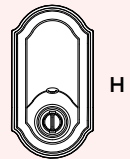
4. Install the Half Round Spindle

No Tools Needed

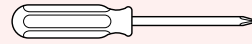


5. Install Interior Assembly

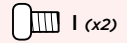
No Tools Needed



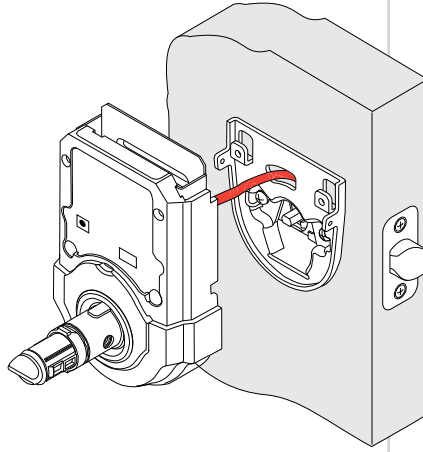
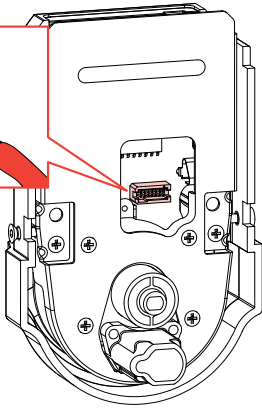
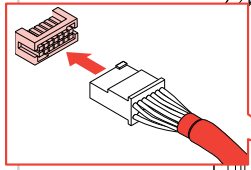
5. Install Interior Assembly (cont.)



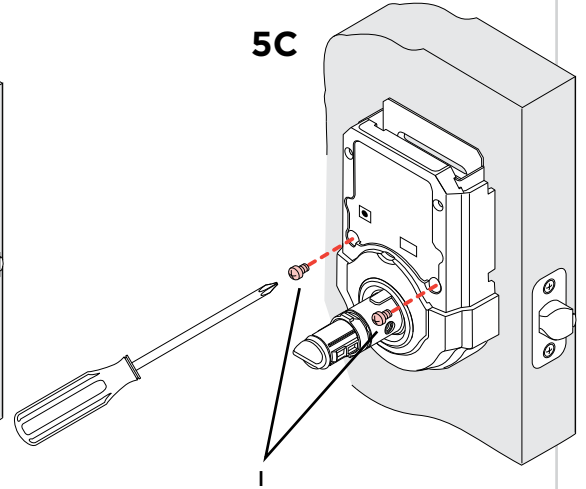
Phillips Head Screwdriver



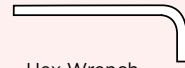
5B



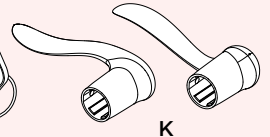
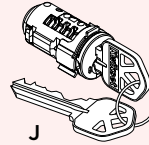
5C



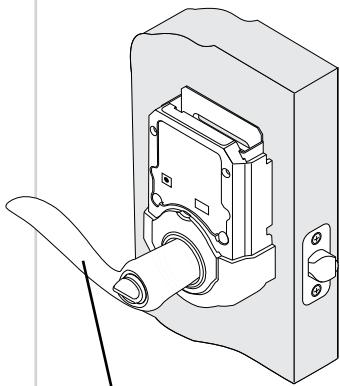
6. Mount the Levers & Cylinder



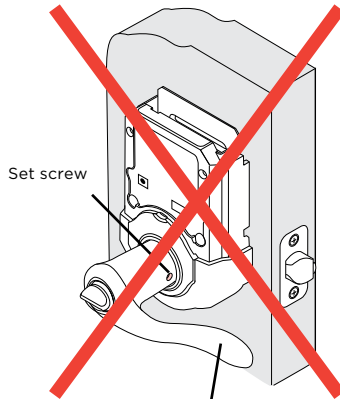
Hex Wrench



6A Check to see what side set screw will be on

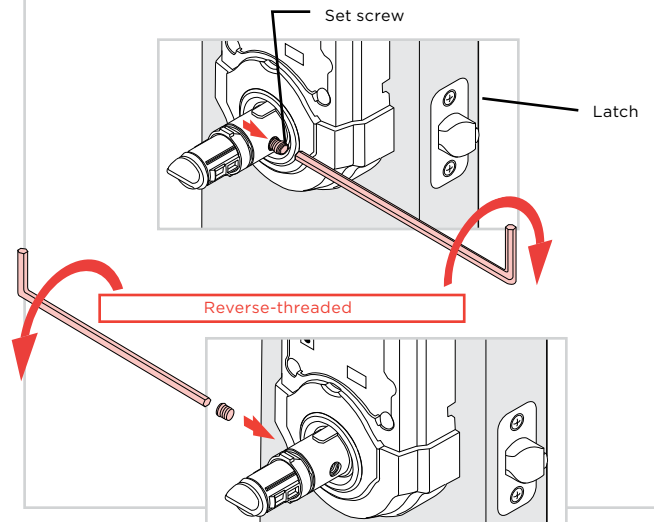


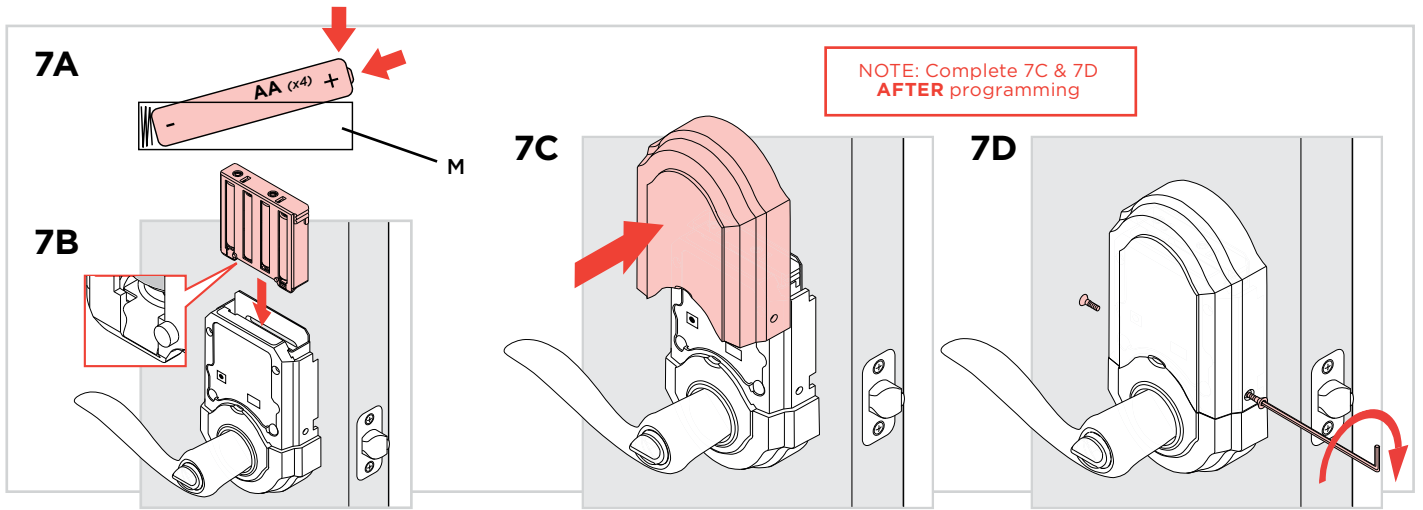
Away from door edge



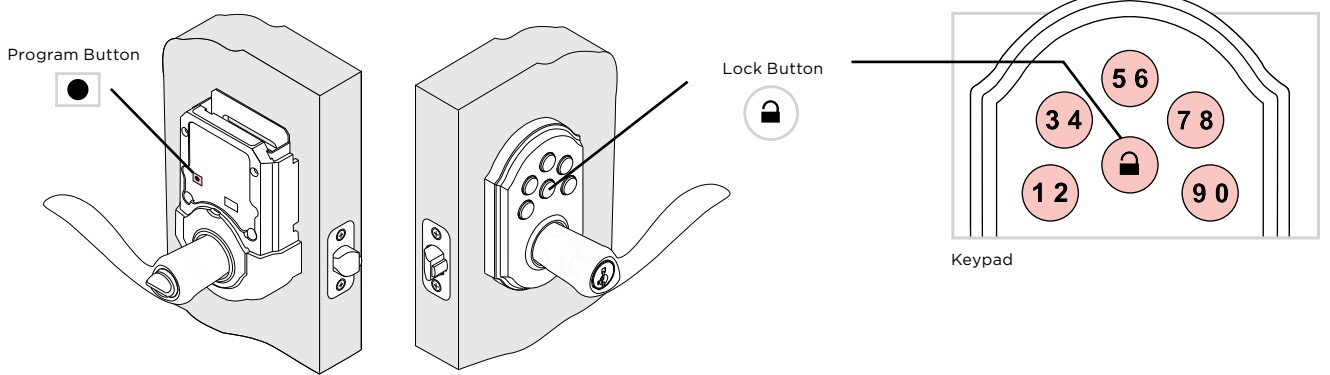
Toward door edge

6B How to change set screw



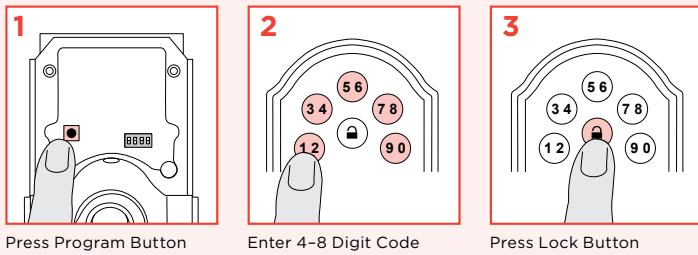


Programming

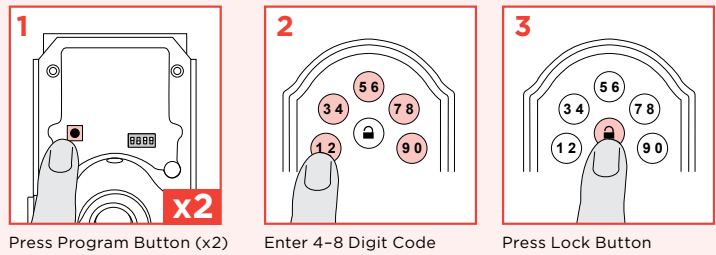


User Codes

User 1



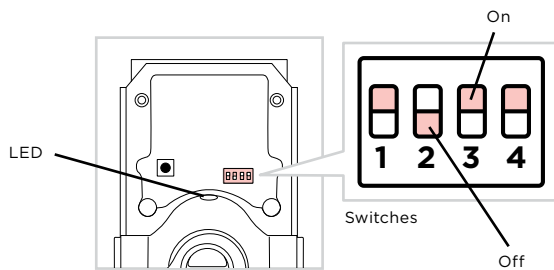
User 2



User 3: **1** x3 ▶ **2** ▶ **3**

User 4: **1** x4 ▶ **2** ▶ **3**

Customizable Features



- 1** Status LED blinks every 5 seconds.
- 2** Auto re-locks door 30s after unlocking.
- 3** Beeper enabled. Buttons light when pressed.
- 4** No function.